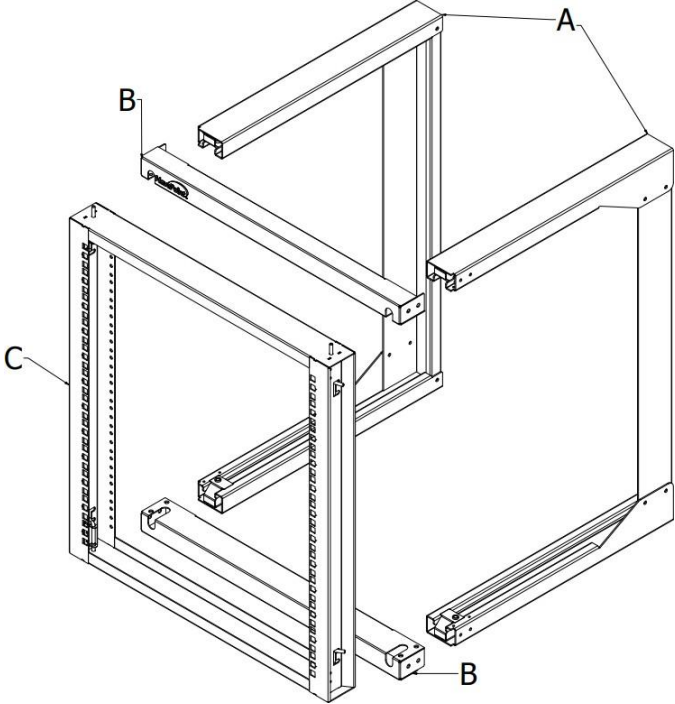









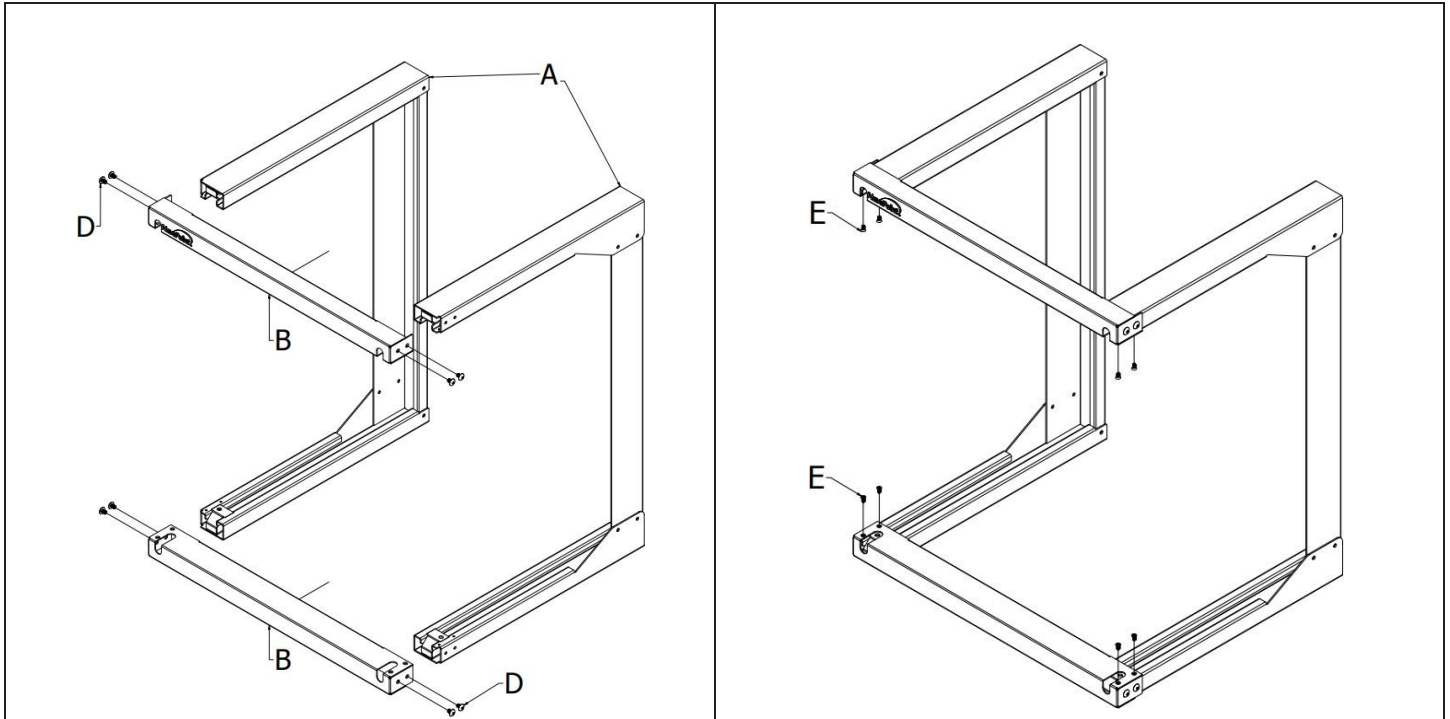


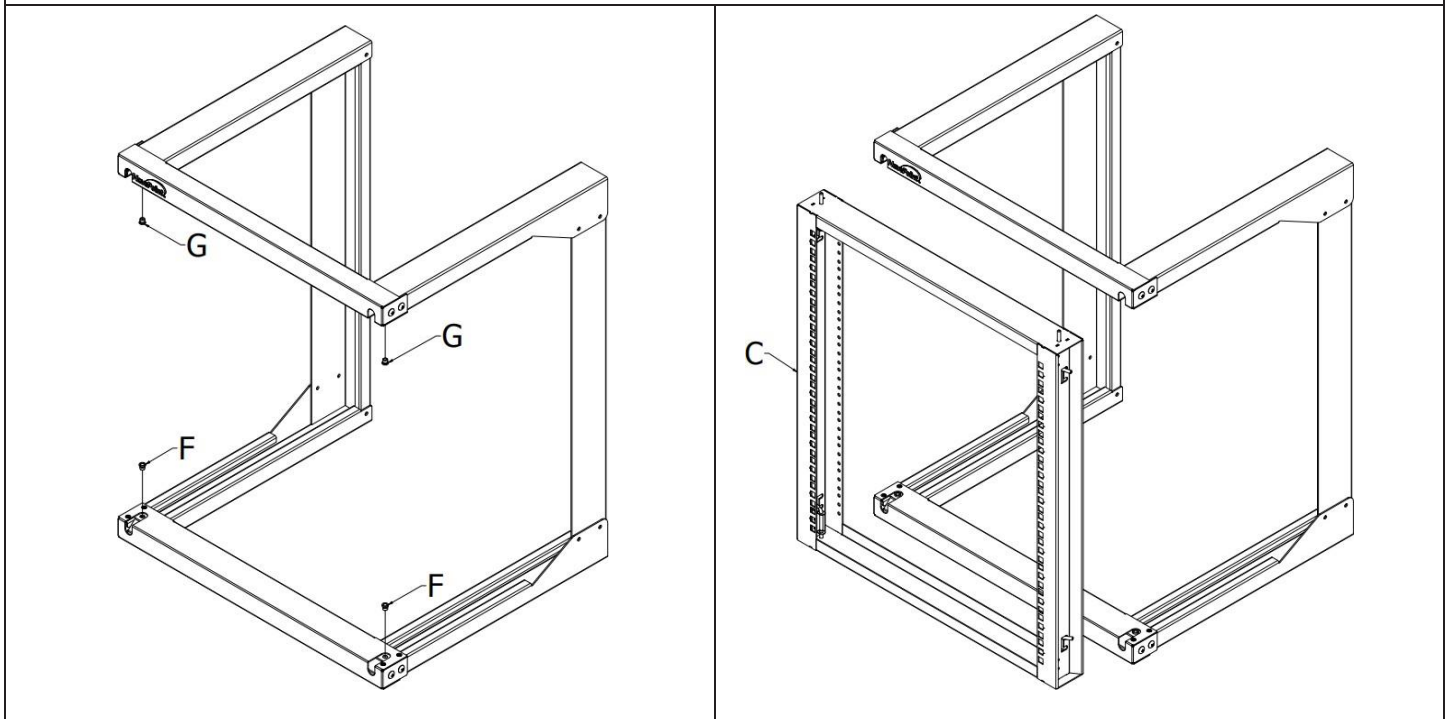
1. Parts Identification

	<p>A Wall Mounting Frame (2x) B Horizontal Support Bar (2x) C Equipment Mounting Frame (1x)</p>		
<p>Rack Installation Hardware</p>			
<p>D</p>  <p>M5 Screws(8x)</p>	<p>E</p>  <p>M4 Screws(8x)</p>	<p>F</p>  <p>Bottom Metal Sleeves(2x)</p>	<p>G</p>  <p>Top Sleeves(2x)</p>
<p>Equipment Mounting Hardware</p>			
<p>H</p>  <p>M6 Mounting Screws (10x)</p>	<p>I</p>  <p>M6 Cage Nuts(10x)</p>	<p>J</p>  <p>12-24 Mounting Screws(10x)</p>	
<p>K</p>  <p>M6 Metal Washers 6U/9U/12U (x4) 15U/18U (x6)</p>	<p>L</p>  <p>M6 Wall Mounting Screws 6U/9U/12U (x4) 15U/18U (x6)</p>		
<p>Tools Required: Phillips Screwdriver (not included)</p>			

2. Rack Assembly

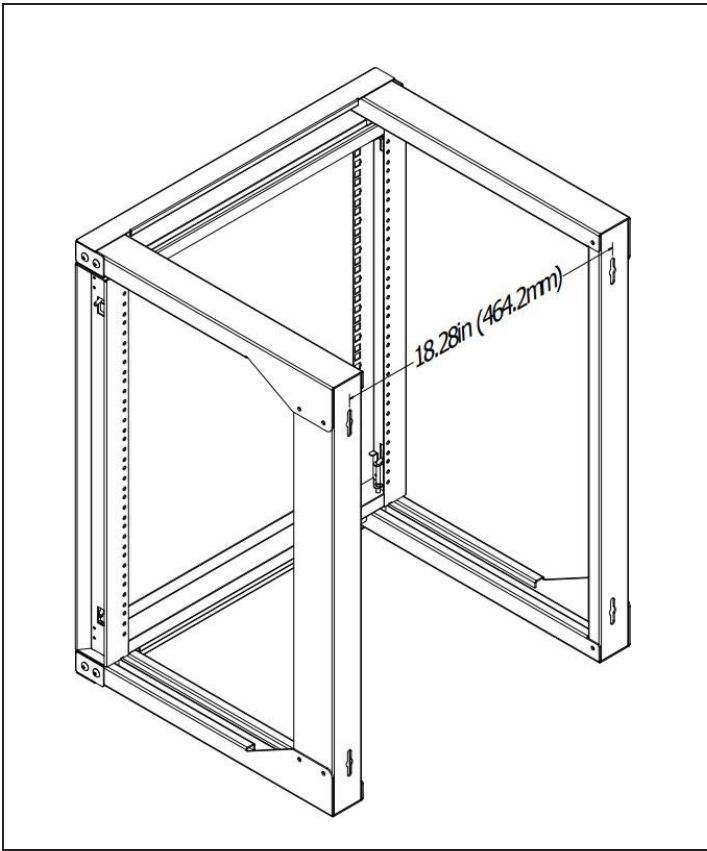


STEP 1. Attach the 2 Horizontal Support Bars (B) to the Wall Mounting Frames (A) using 8 M5 Screws (D).
STEP 2. Secure them with 8 M4 Screws (E).



STEP 3. Insert 2 Bottom Metal Sleeves (F) into the holes on the Horizontal Support Bar (B) on the Bottom side. Insert 2 Sleeves (G) into the holes on the Horizontal Support Bar (B) on the Top side.
STEP 4. Secure Equipment Mounting Frame (C) to the built frame, make sure the latch pins click into both top and bottom metal sleeves.

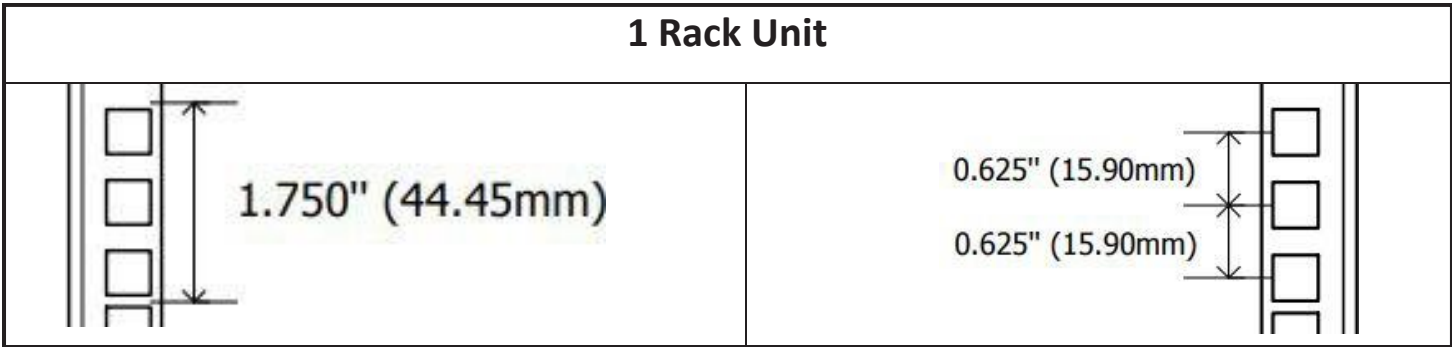
2. Mounting the Rack to the wall



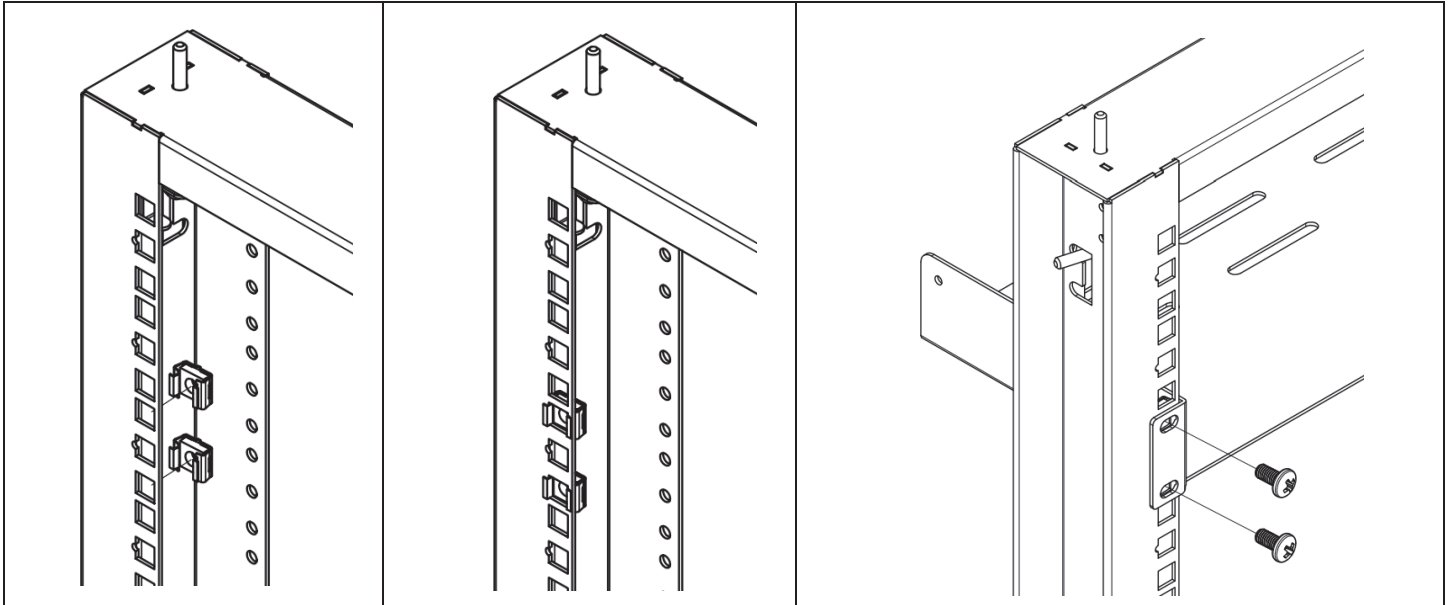
Attach the rack to a wall or other suitable mounting surface using M6 Wall Mounting Screws (L) and M6 Metal Washers (K). Mounting holes are spaced 18.28" (464.2mm) as reflected in the diagram.

Warning: Do not attempt to mount to wall when equipment is mounted inside rack. The rack can hold up to 100 pounds evenly distributed (50 pounds when Equipment Mounting Frame is in an open position). Make sure wall surface can hold weight of the cabinet and equipment.

3. Equipment Installation



-Squared Hole Mounting



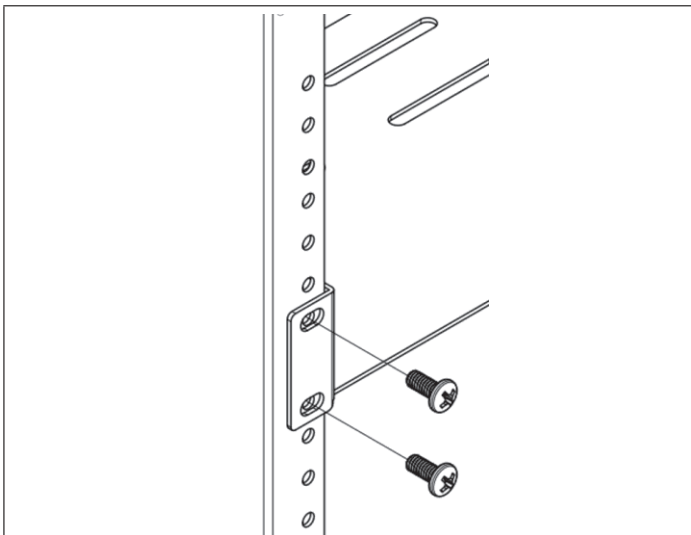
1 Locate the numbered square openings in the Equipment Mounting Frame (C) where you plan to install your equipment. Install M6 Cage Nuts (I) into the square openings to provide an attachment point for the M6 Mounting Screws (H) . Note: Consult your equipment documentation to determine how many cage nuts will be required and where they will need to be installed.

a- From the inside of the Equipment Mounting Frame (C), insert one of the flanges of the cage nut through the square opening. Press it against the side of the square opening.

b- Compress the cage nut at the sides slightly to allow the remaining flange to fit through the square opening. When the cage nut is properly installed, both flanges will protrude through the square opening and will be visible on the outer surface of the mounting rail. Repeat steps 1a and 1b until all required cage nuts are installed.

2 After installing the required cage nuts, use the included M6 Mounting Screws (H) to secure your equipment into the installed M6 Cage Nuts (I).

-Tapped Hole Mounting



Use the included 12-24 Mounting Screws (J) to secure your equipment to the Equipment Mounting Frame (C).