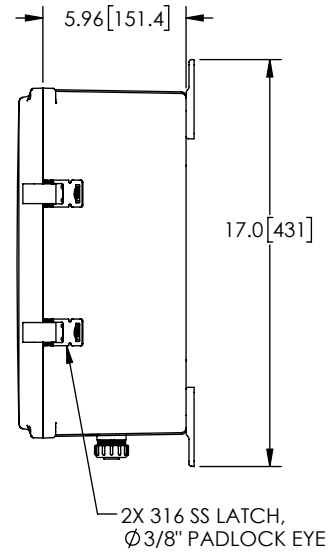
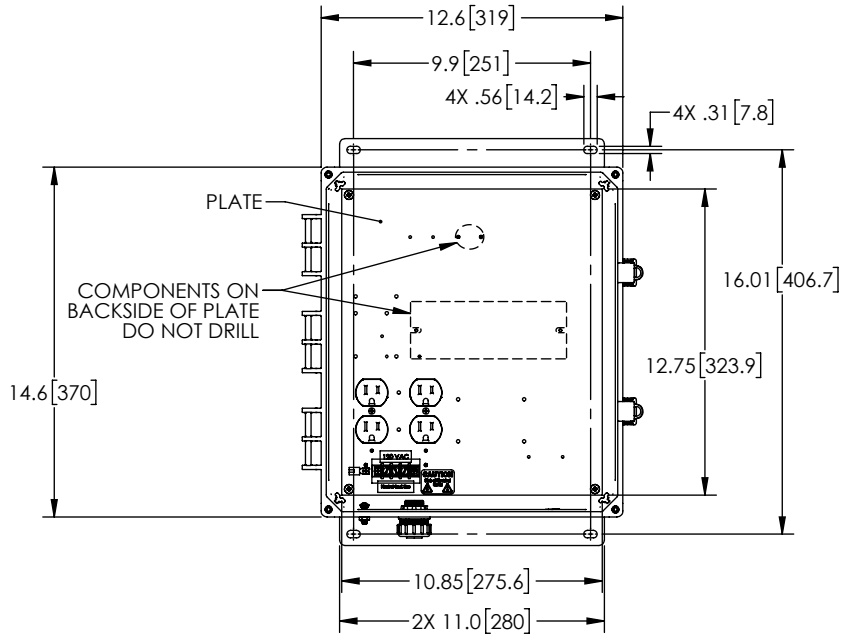
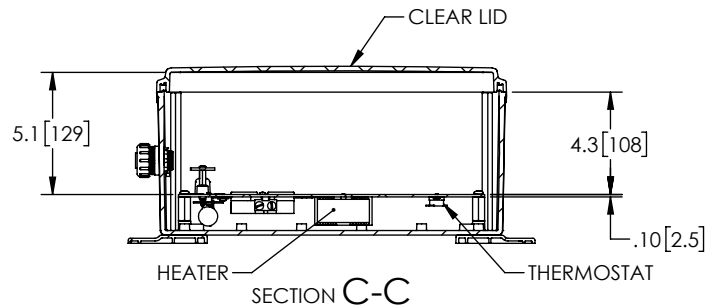
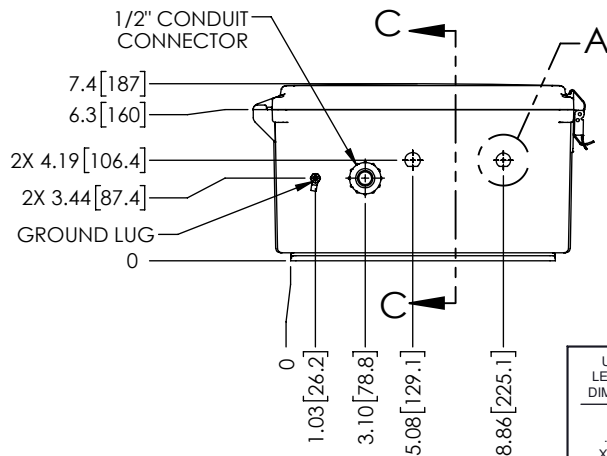
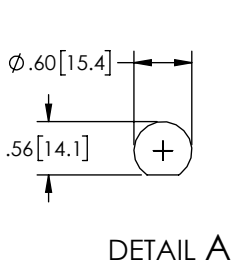


REVISIONS			
REV.	DESCRIPTION	DATE	APPROVED
A	INITIAL RELEASE	05/12/2020	MMARTINEZ



LID NOT SHOWN IN THIS VIEW FOR CLARITY



<p>UNLESS OTHERWISE SPECIFIED LEADING DIMENSIONS ARE INCHES DIMENSIONS IN [] ARE MILLIMETERS</p> <p>TOLERANCES:</p> <table border="0"> <tr> <td>X = ± .02 [.51]</td> <td>FRACTIONS ± 1/32</td> </tr> <tr> <td>.XX = ± .02 [.51]</td> <td>± 1/32</td> </tr> <tr> <td>XXX = ± .005 [.13]</td> <td>ANGLES ± 1°</td> </tr> </table> <p>CABLE LENGTH (L) TOLERANCES:</p> <table border="0"> <tr> <td>L ≤ 12 [305] = +1 [25] / -0</td> </tr> <tr> <td>12 [305] < L ≤ 60 [1524] = +2 [51] / -0</td> </tr> <tr> <td>60 [1524] < L ≤ 120 [3048] = +4 [102] / -0</td> </tr> <tr> <td>120 [3048] < L ≤ 300 [7620] = +6 [152] / -0</td> </tr> <tr> <td>300 [7620] < L = +5%L / -0</td> </tr> </table> <p>ALL DIMENSIONS SHOWN ARE FOR REFERENCE ONLY.</p>		X = ± .02 [.51]	FRACTIONS ± 1/32	.XX = ± .02 [.51]	± 1/32	XXX = ± .005 [.13]	ANGLES ± 1°	L ≤ 12 [305] = +1 [25] / -0	12 [305] < L ≤ 60 [1524] = +2 [51] / -0	60 [1524] < L ≤ 120 [3048] = +4 [102] / -0	120 [3048] < L ≤ 300 [7620] = +6 [152] / -0	300 [7620] < L = +5%L / -0	<p>L-com an INFINITO brand</p> <p>50 High Street, West Mill, 3rd Floor, Suite #30 North Andover, MA 01845 USA. Phone: 1.800.341.5266 1.978.682.6936 Fax: 1.978.689.9484 Website: www.L-com.com E-mail: CustomerService@L-com.com</p>		<p>THIRD-ANGLE PROJECTION</p> <p>THE INFORMATION AND DESIGN IN THIS DOCUMENT IS THE PROPERTY OF L-COM GLOBAL CONNECTIVITY. ALL RIGHTS RESERVED.</p> <p>SHEET 1 OF 1</p> <p>SCALE N/A</p>	
X = ± .02 [.51]	FRACTIONS ± 1/32															
.XX = ± .02 [.51]	± 1/32															
XXX = ± .005 [.13]	ANGLES ± 1°															
L ≤ 12 [305] = +1 [25] / -0																
12 [305] < L ≤ 60 [1524] = +2 [51] / -0																
60 [1524] < L ≤ 120 [3048] = +4 [102] / -0																
120 [3048] < L ≤ 300 [7620] = +6 [152] / -0																
300 [7620] < L = +5%L / -0																
SIZE A	CAGE CODE 43321	DRAWN BY DZINN	ITEM NO. NBWPC141206-1H0	REV A												

THESE COMMODITIES, TECHNOLOGY OR SOFTWARE WERE EXPORTED FROM THE UNITED STATES IN ACCORDANCE WITH THE EXPORT ADMINISTRATION REGULATIONS. DIVERSION CONTRARY TO U.S. LAW PROHIBITED.