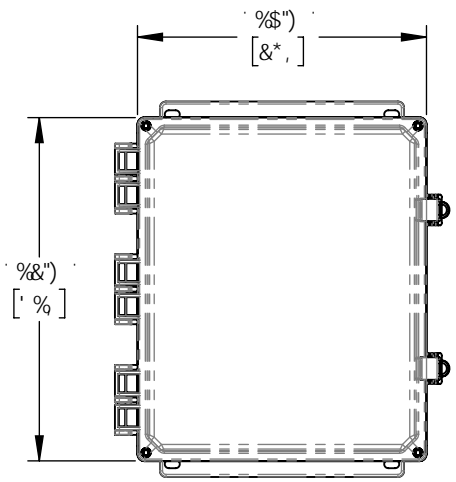
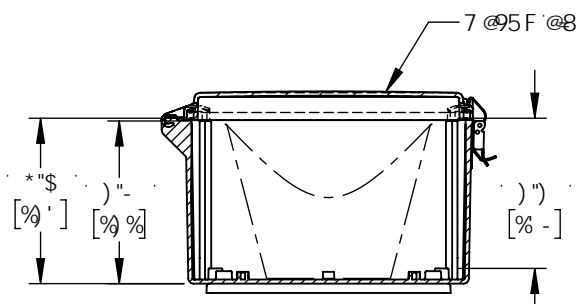
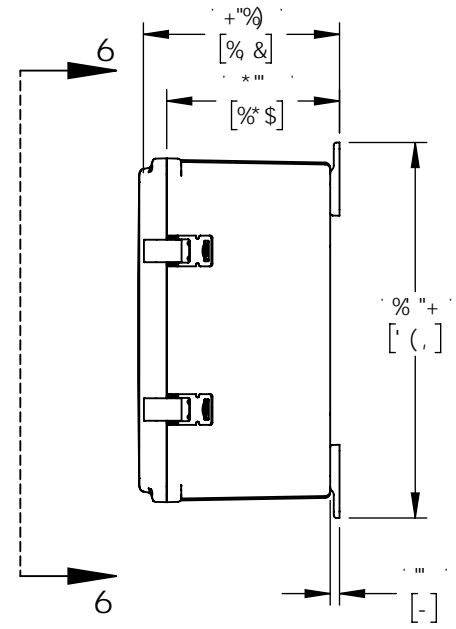
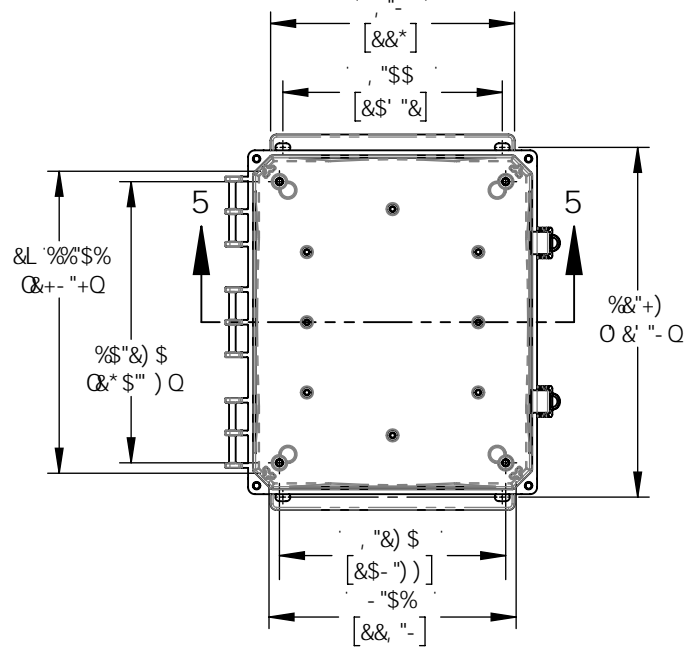


F9J 6C BG			
F9J "	8 9G7 F-DHC B	85H9	5DDFCJ 98
5	-B #H5 @F9 @95 G9	\$- #& / #&	A A 5FHB 9N

@8 BC HG<C K B  
: C F 7 @5 F #M



J 9K '6:6



G97 HC B '5:5

VP000UT T U000UBA/C0PPUSU0YAU0U0UY 0E0Y 000DYUUN000RUT A/P0MP-Q000N0S/0U0P 0E00U000C00  
Y QPAPPODYUUNV0E0T 0E0VU0E0W0P 0U000M0S0V0W0P 0E0000U0W0P 0U0P 0V0E0YAU00E0S0Y 0U0UP 0W00E

VP000UT T U000UBA/C0PPUSU0YAU0U0UY 0E0Y 000DYUUN000RUT A/P0MP-Q000N0S/0U0P 0E00U000C00  
Y QPAPPODYUUNV0E0T 0E0VU0E0W0P 0U000M0S0V0W0P 0E0000U0W0P 0U0P 0V0E0YAU00E0S0Y 0U0UP 0W00E

**L-com**  
an INFINIT@ brand

ί εΡα @Uc^Λ^ay ^οτ αίθια/α/[]:έU" α^ΑΗΕΑ  
P[]:αCJ α[]c^!Eα C^E[] I I ANUOE  
U@}^M^E E^H F^E G I A F^H[] E I G^E JH  
C^α^E[] I I E J B I I I  
Y ^a•α^K^... E^E[] { E[] { A  
O^E α^H^O •d { ^!U^ic^α^O SE[] { E[] {

VP000UT T U000UBA/C0PPUSU0YAU0U0UY 0E0Y 000DYUUN000RUT A/P0MP-Q000N0S/0U0P 0E00U000C00  
Y QPAPPODYUUNV0E0T 0E0VU0E0W0P 0U000M0S0V0W0P 0E0000U0W0P 0U0P 0V0E0YAU00E0S0Y 0U0UP 0W00E

VP000UT T U000UBA/C0PPUSU0YAU0U0UY 0E0Y 000DYUUN000RUT A/P0MP-Q000N0S/0U0P 0E00U000C00  
Y QPAPPODYUUNV0E0T 0E0VU0E0W0P 0U000M0S0V0W0P 0E0000U0W0P 0U0P 0V0E0YAU00E0S0Y 0U0UP 0W00E