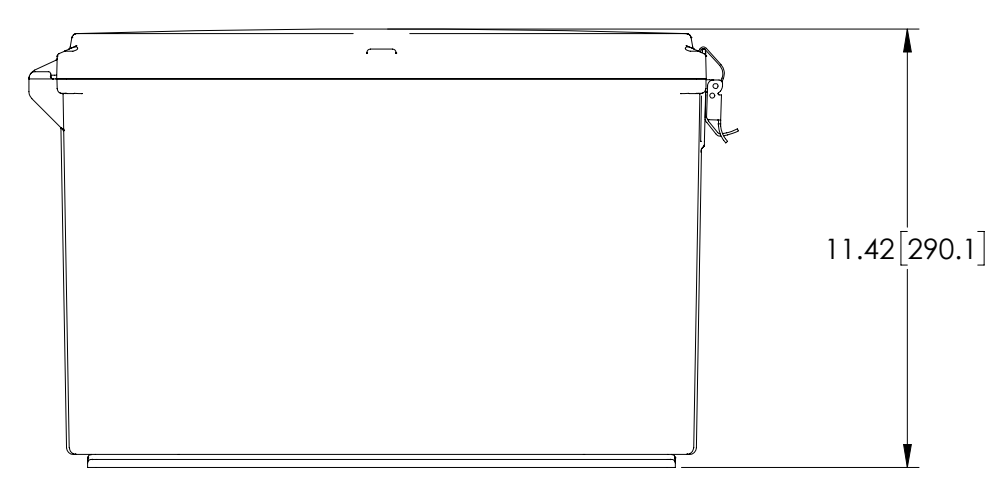
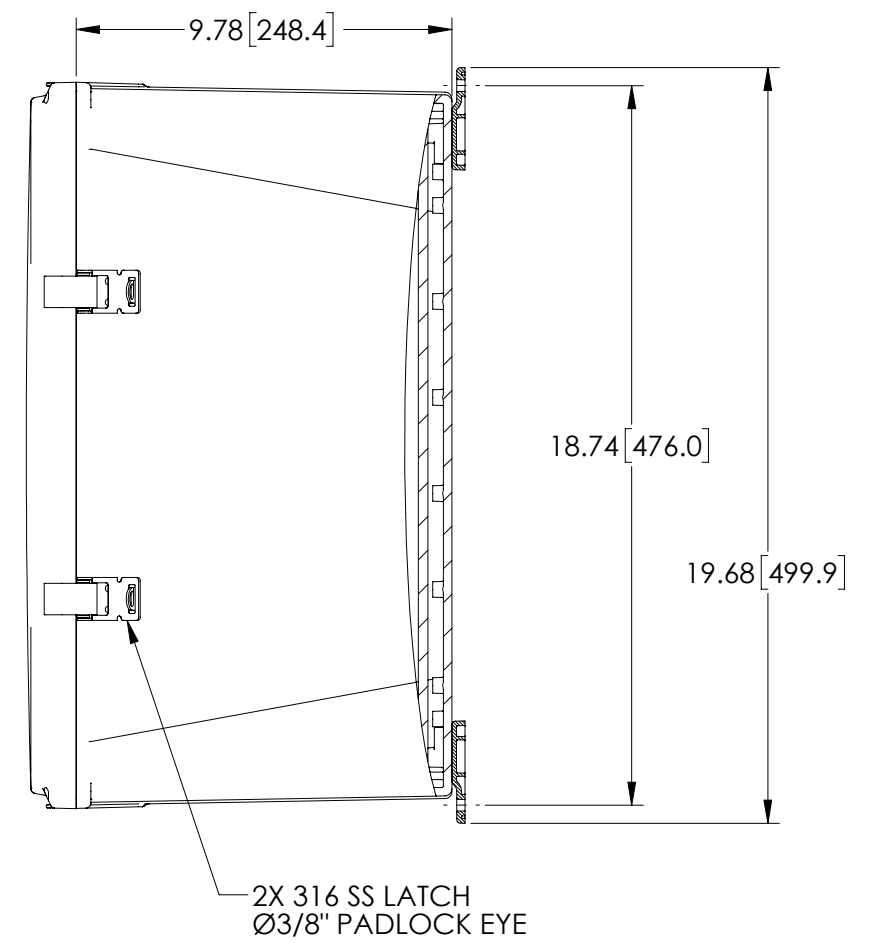
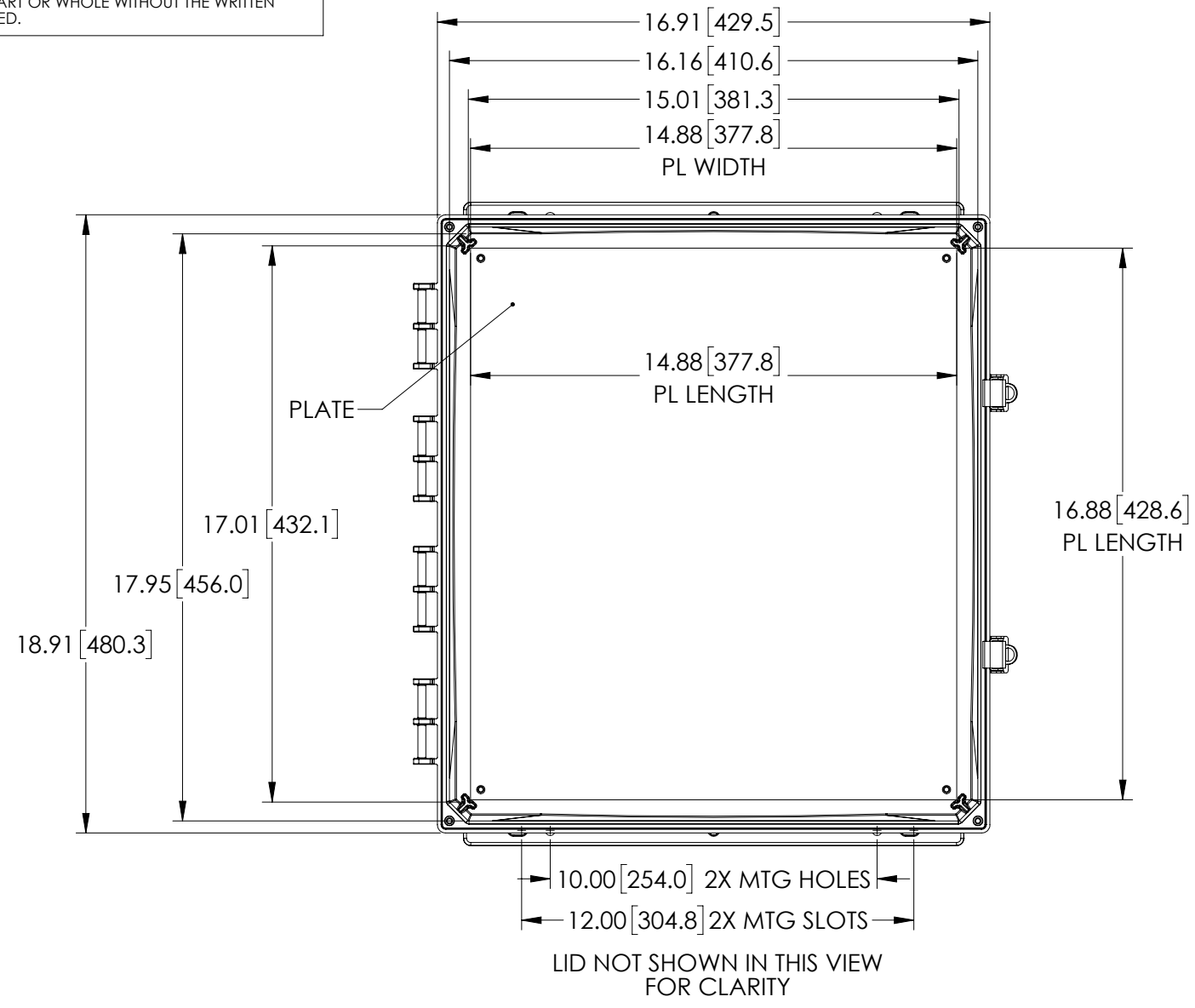


THE INFORMATION CONTAINED IN THIS DRAWING IS THE SOLE PROPERTY OF L-COM, INC. ANY REPRODUCTIONS IN PART OR WHOLE WITHOUT THE WRITTEN PERMISSION OF L-COM, INC. IS PROHIBITED.

REVISIONS			
REV	DESCRIPTION	DATE	CHANGED BY
A	INITIAL RELEASE	05/20/2019	MMARTINEZ



- NOTES:**
- ENCLOSURE MATERIAL-DARK GRAY (PANTONE 422C) HIGH-IMPACT UV RESISTANT POLYCARBONATE.
  - TEMPERATURE RANGE: -40°F TO 265°F.
  - CABINETS ARE MAINTENANCE FREE AND CORROSION RESISTANT.
  - SHALL BE PACKAGED AS PER L-COM SPEC.
  - ALL DIMENSIONS FOR REFERENCE ONLY.
  - WALL MOUNT BRACKETS COME UNINSTALLED, INSIDE ENCLOSURE, BAGGED WITH HARDWARE.

UNLESS OTHERWISE SPECIFIED, DIMENSIONS ARE IN INCHES [mm]

DIMENSIONAL TOLERANCES:  
 ..X = ±.1 [2.54]  
 .XX = ±.01 [.25]  
 .XXX = ±.005 [.13]

ANGULAR TOLERANCES:  
 ALL = ± 1°

PROJECTION

APPROVALS	DATE
DRAWN BY DZINN	05/17/2019
CHECKED BY DFRISIELLO	05/17/2019
APPROVED BY MMARTINEZ	05/17/2019

**L-com** Global Connectivity  
 50 HIGH STREET  
 NORTH ANDOVER, MA  
 01845

CATEGORY		ENCLOSURE	
PRODUCT DESCRIPTION			
ENCL PC 18x16x10" w/BLANK PLASTIC MNT PLATE			
SIZE	FSCM NO.	DWG. NO.	REV.
<b>B</b>	<b>43321</b>	NBPC181610-KIT01	<b>A</b>
SCALE: 1:5	CAD FILE: NBPC181610-KIT01.SLDDRW		SHEET 1 OF 1