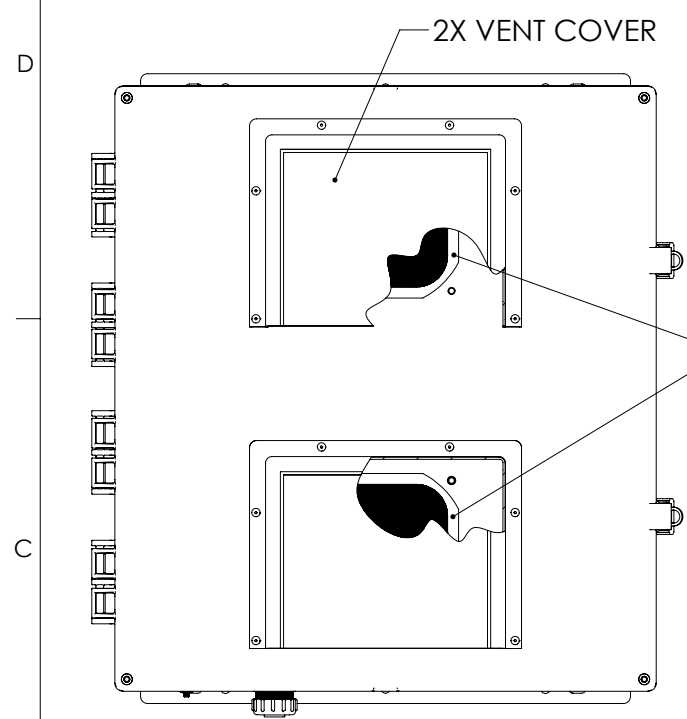
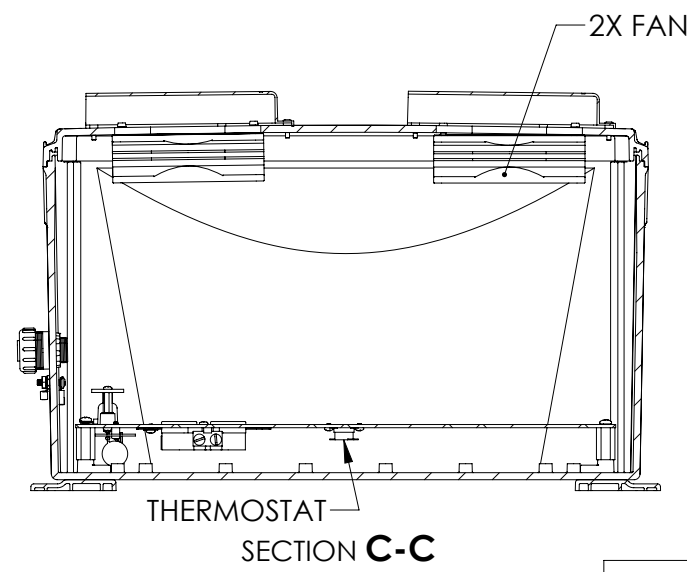
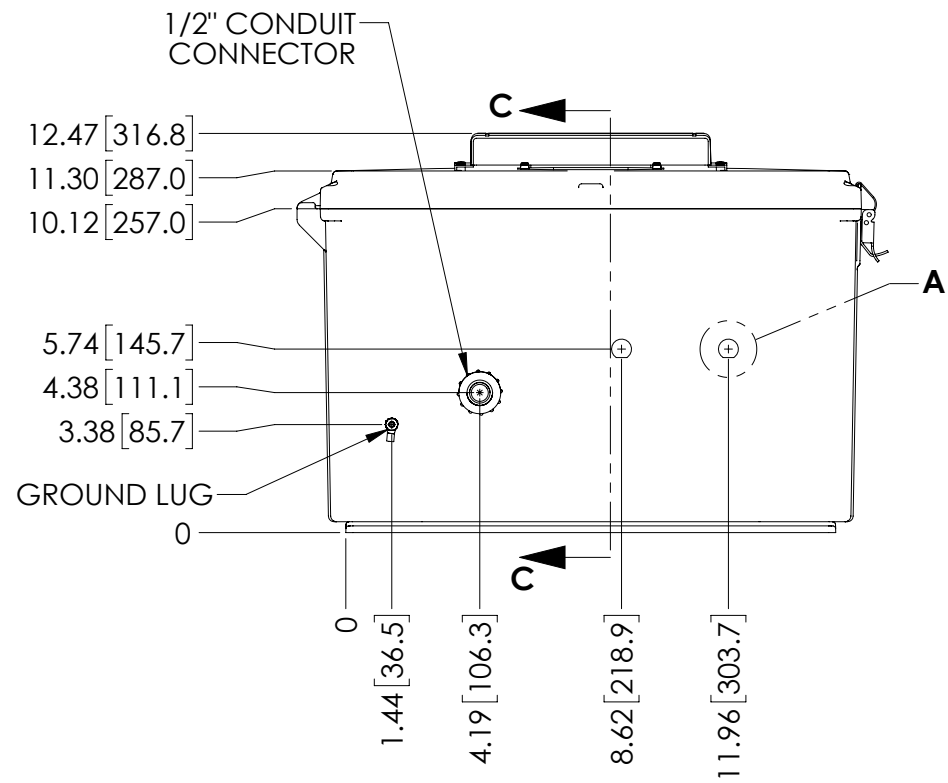
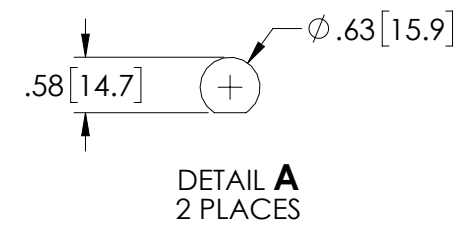
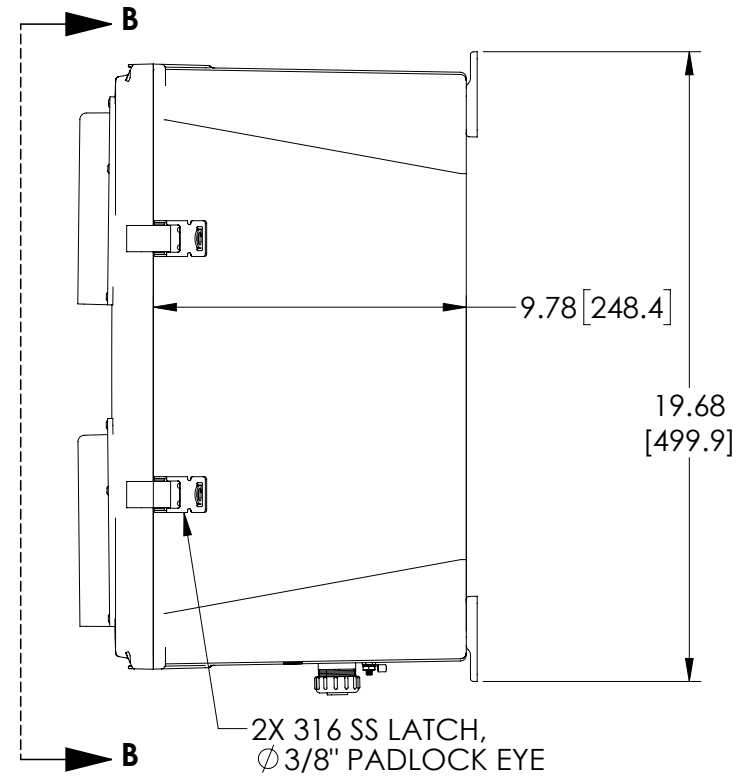
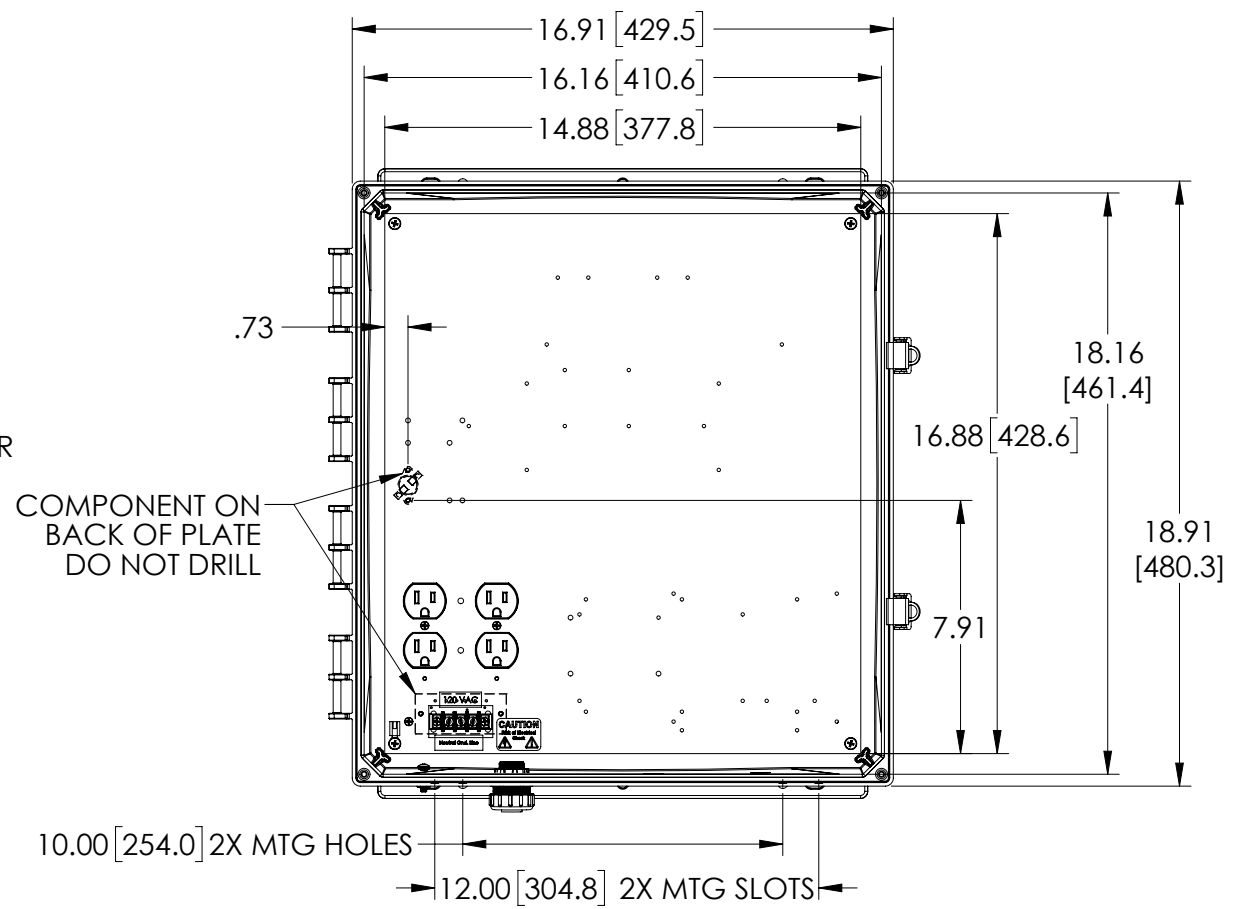


THE INFORMATION CONTAINED IN THIS DRAWING IS THE SOLE PROPERTY OF L-COM, INC. ANY REPRODUCTIONS IN PART OR WHOLE WITHOUT THE WRITTEN PERMISSION OF L-COM, INC. IS PROHIBITED.

REVISIONS			
REV	DESCRIPTION	DATE	CHANGED BY
A	INITIAL RELEASE	05/15/2019	MMARTINEZ



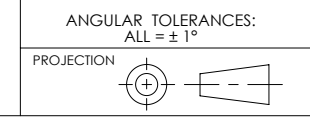
VIEW **B-B**



SECTION **C-C**

- NOTES:
- ENCLOSURE MATERIAL-LIGHT GRAY (PANTONE 422C) HIGH-IMPACT, UV RESISTANT POLYCARBONATE.
 - TEMPERATURE RANGE: -40°F TO 265°F
 - CABINETS ARE MAINTENANCE FREE AND CORROSION RESISTANT.
 - SHALL BE PACKAGED AS PER L-COM SPEC
 - ALL DIMENSIONS FOR REFERENCE ONLY.

UNLESS OTHERWISE SPECIFIED, DIMENSIONS ARE IN INCHES [mm]
 DIMENSIONAL TOLERANCES:
 ..X = ±.1 [2.54]
 .XX = ±.01 [.25]
 .XXX = ±.005 [.13]
 ANGULAR TOLERANCES:
 ALL = ± 1°



APPROVALS	DATE
DRAWN BY DZINN	05/14/2019
CHECKED BY DFRISIELLO	05/14/2019
APPROVED BY MMARTINEZ	05/14/2019

L-com Global Connectivity
 50 HIGH STREET
 NORTH ANDOVER, MA
 01845

CATEGORY		ENCLOSURE	
PRODUCT DESCRIPTION			
ENCL PC 18x16x10" w/85° Dual-Fan 120VAC Mnt Plate			
SIZE	FSCM NO.	DWG. NO.	REV.
B	43321	NBPC181610-10F-1	A
SCALE: 1:6		CAD FILE: NBPC181610-10F-1.SLDDRW	
SHEET 1 OF 1			