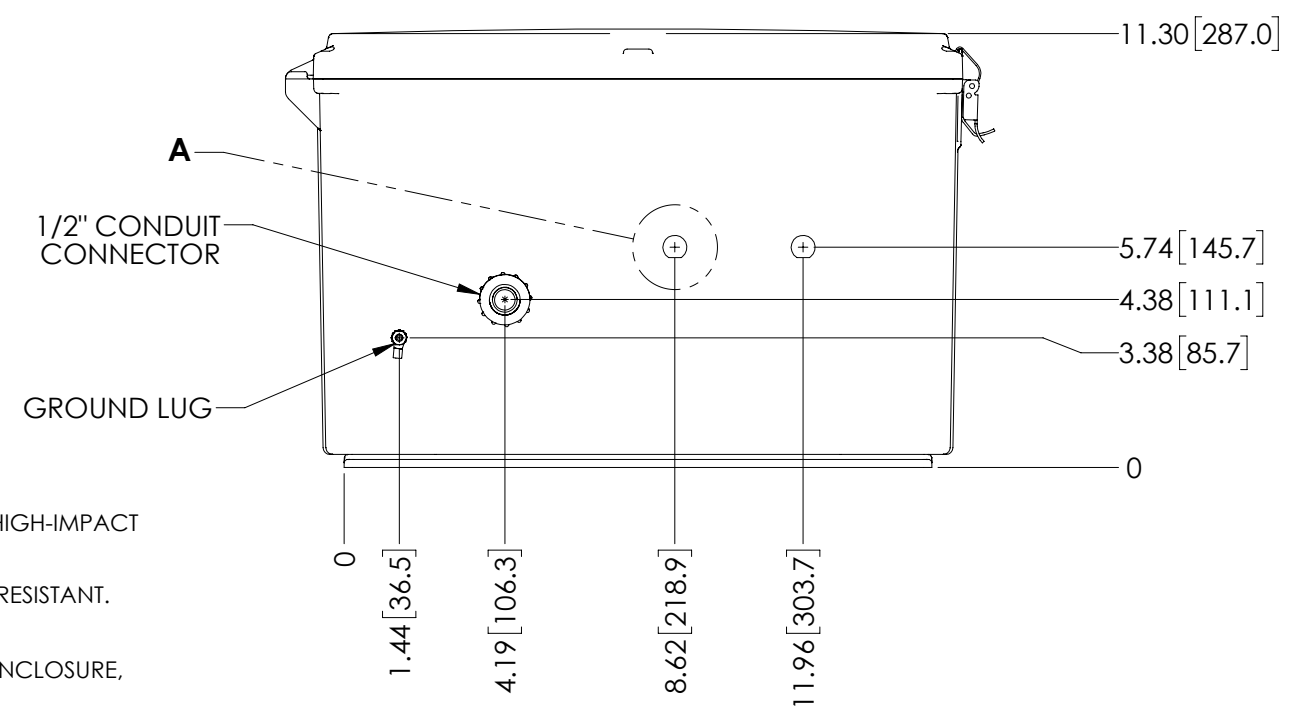
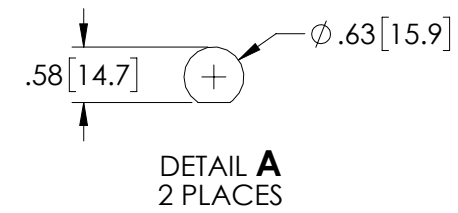
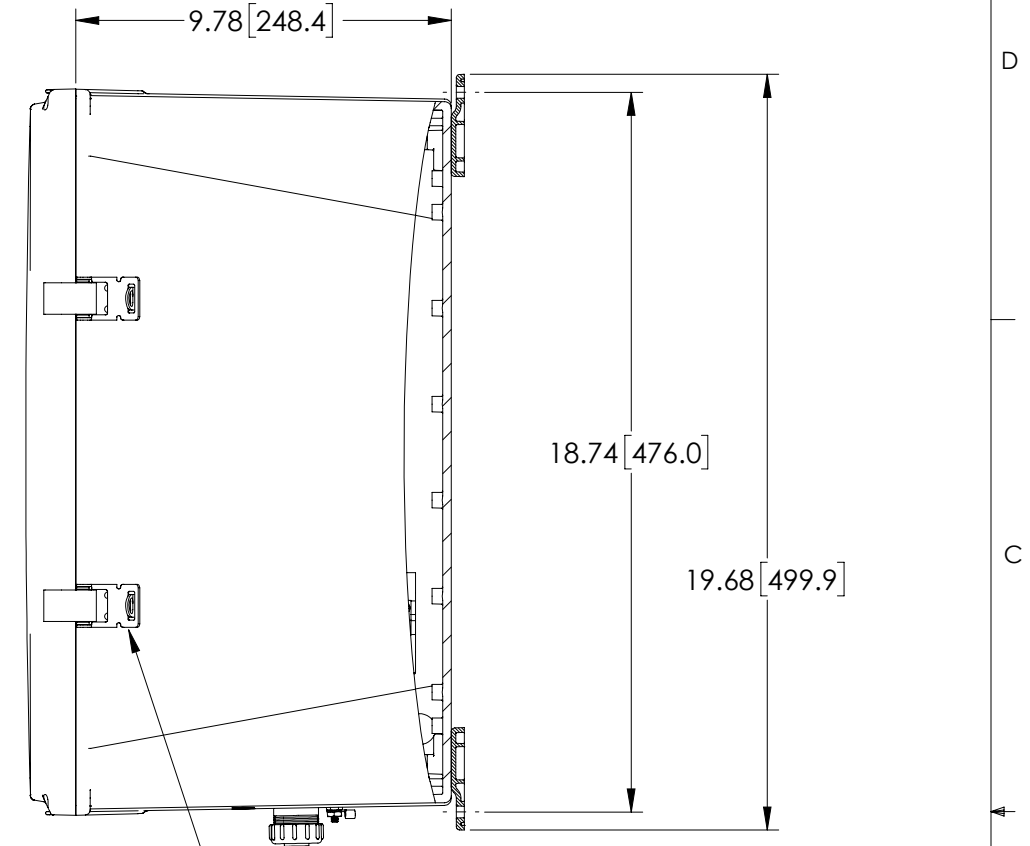
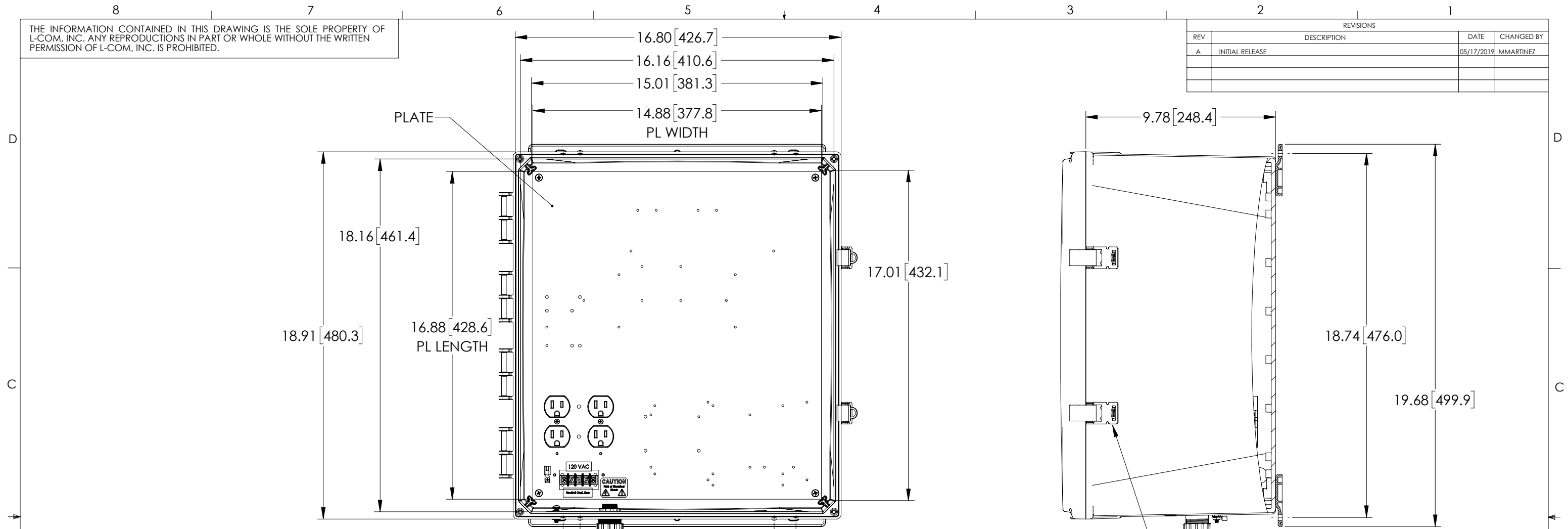


THE INFORMATION CONTAINED IN THIS DRAWING IS THE SOLE PROPERTY OF L-COM, INC. ANY REPRODUCTIONS IN PART OR WHOLE WITHOUT THE WRITTEN PERMISSION OF L-COM, INC. IS PROHIBITED.

REVISIONS			
REV	DESCRIPTION	DATE	CHANGED BY
A	INITIAL RELEASE	05/17/2019	MMARTINEZ



- NOTES:**
- ENCLOSURE MATERIAL-DARK GRAY (PANTONE 422C) HIGH-IMPACT UV RESISTANT POLYCARBONATE.
 - TEMPERATURE RANGE: -40°F TO 265°F.
 - CABINETS ARE MAINTENANCE FREE AND CORROSION RESISTANT.
 - SHALL BE PACKAGED AS PER L-COM SPEC.
 - ALL DIMENSIONS FOR REFERENCE ONLY.
 - WALL MOUNT BRACKETS COME UNINSTALLED, INSIDE ENCLOSURE, BAGGED WITH HARDWARE.

UNLESS OTHERWISE SPECIFIED, DIMENSIONS ARE IN INCHES [mm]

DIMENSIONAL TOLERANCES:
 .X = ±.1 [2.54]
 .XX = ±.01 [.25]
 .XXX = ±.005 [.13]

ANGULAR TOLERANCES:
 ALL = ± 1°

PROJECTION

APPROVALS	DATE
DZINN	05/17/2019
DFRISIELLO	05/17/2019
MMARTINEZ	05/17/2019

CONFIGURATION DETAILS OF UNDIMENSIONED FEATURES MAY VARY

COLOR VARIATIONS MAY OCCUR

L-com Global Connectivity
 50 HIGH STREET
 NORTH ANDOVER, MA 01845

CATEGORY: ENCLOSURE

PRODUCT DESCRIPTION: ENCL PC 18x16x10" w/120VAC MOUNT PLATE

SIZE: B	FSCM NO.: 43321	DWG. NO.: NBPC181610-100	REV.: A
----------------	------------------------	---------------------------------	----------------

SCALE: 1:5 CAD FILE: NBPC181610-100.SLDDRW SHEET 1 OF 1