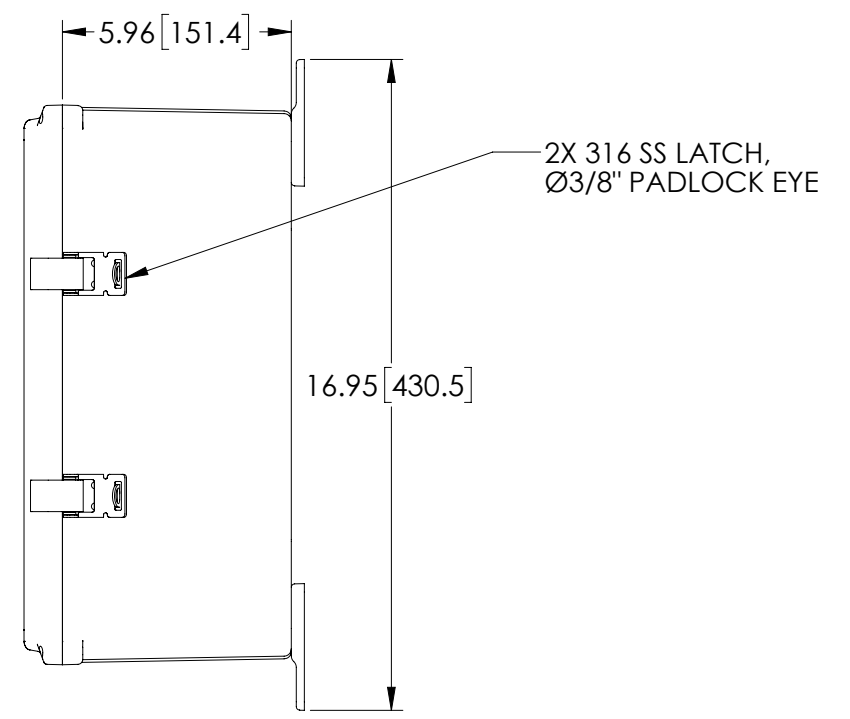
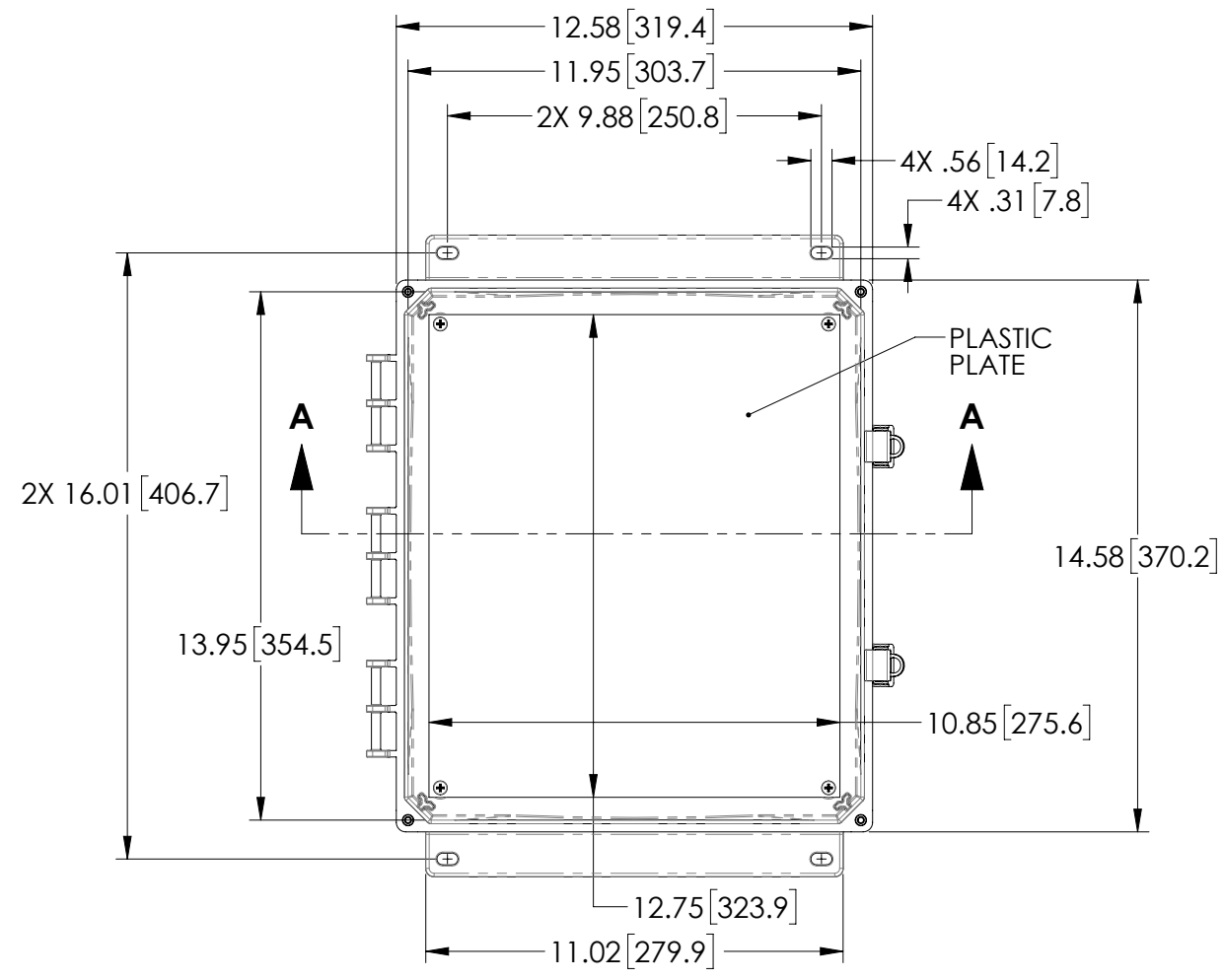
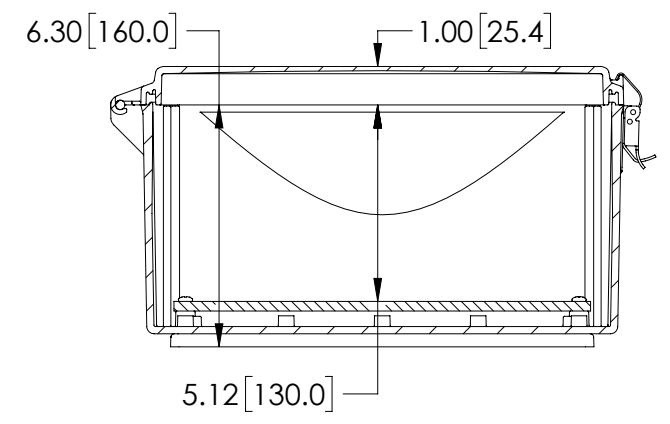


THE INFORMATION CONTAINED IN THIS DRAWING IS THE SOLE PROPERTY OF L-COM, INC. ANY REPRODUCTIONS IN PART OR WHOLE WITHOUT THE WRITTEN PERMISSION OF L-COM, INC. IS PROHIBITED.

REVISIONS			
REV	DESCRIPTION	DATE	CHANGED BY
A	INITIAL RELEASE	05/07/2019	MMARTINEZ



LID NOT SHOWN IN THIS VIEW FOR CLARITY



SECTION A-A

- NOTES:
- ENCLOSURE MATERIAL-LIGHT GRAY (PANTONE 422C) HIGH-IMPACT, UV RESISTANT POLYCARBONATE.
  - TEMPERATURE RANGE: -40°F TO 265°F
  - CABINETS ARE MAINTENANCE FREE AND CORROSION RESISTANT.
  - SHALL BE PACKAGED AS PER L-COM SPEC
  - ALL DIMENSIONS FOR REFERENCE ONLY.

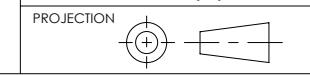
UNLESS OTHERWISE SPECIFIED, DIMENSIONS ARE IN INCHES [mm]  
 OVERALL CABLE LENGTH TOLERANCE:  
 ≤12 [305] = +1 [25] / -0  
 >12 [305] ≤60 [1524] = +2[51] / -0  
 >60 [1524] ≤120 [3048] = +4 [102] / -0  
 >120 [3048] ≤300 [7620] = +6 [152] / -0  
 >300 [7620] = +5% / -0%  
 ALL OTHER DIMENSIONAL TOLERANCES:  
 .X = ±.2 [5.08]  
 .XX = ±.02 [5.1]  
 .XXX = ±.005 [1.3]

APPROVALS	DATE
DRAWN BY DZINN	05/07/2019
CHECKED BY DFRISIELLO	05/07/2019
APPROVED BY MMARTINEZ	05/07/2019

**L-com** Global Connectivity  
 50 HIGH STREET  
 NORTH ANDOVER, MA  
 01845

CATEGORY: ENCLOSURE  
 PRODUCT DESCRIPTION: ENCL PC 14x12x06" w/BLANK PLASTIC MNT PLATE

SIZE	FSCM NO.	DWG. NO.	REV.
<b>B</b>	<b>43321</b>	NBPC141206-KIT01	<b>A</b>



CONFIGURATION DETAILS OF UNDIMENSIONED FEATURES MAY VARY  
 COLOR VARIATIONS MAY OCCUR