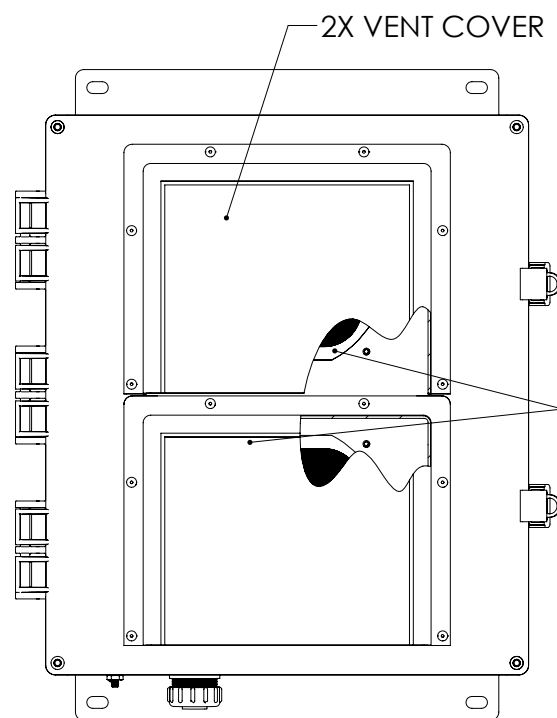
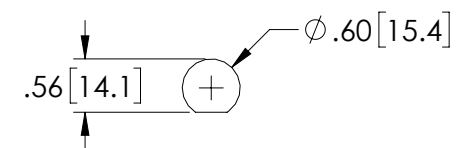
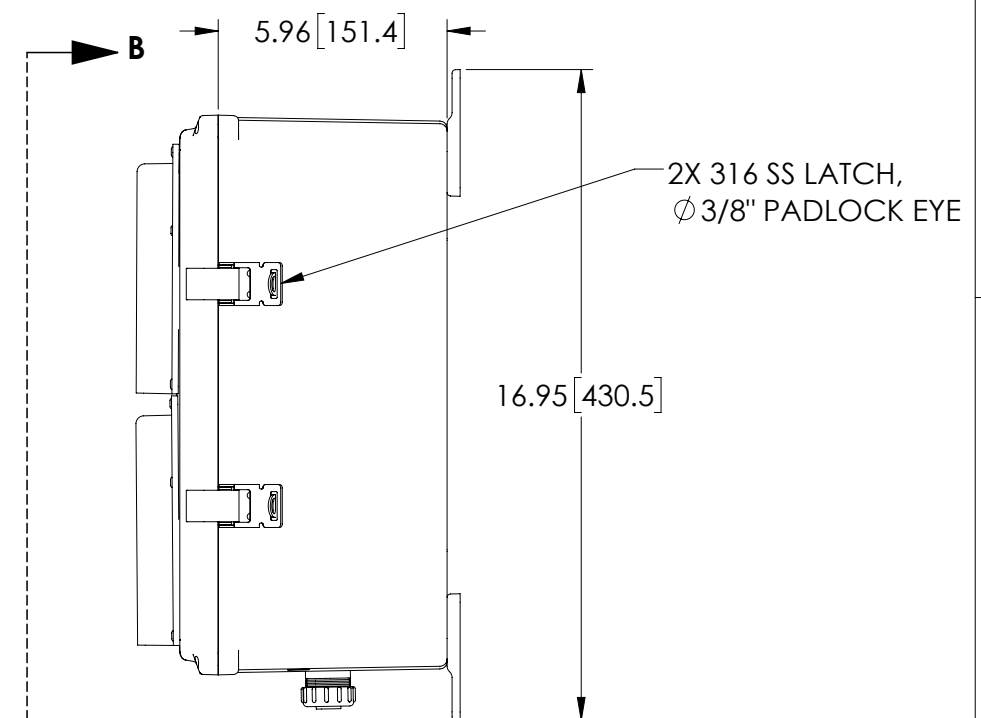
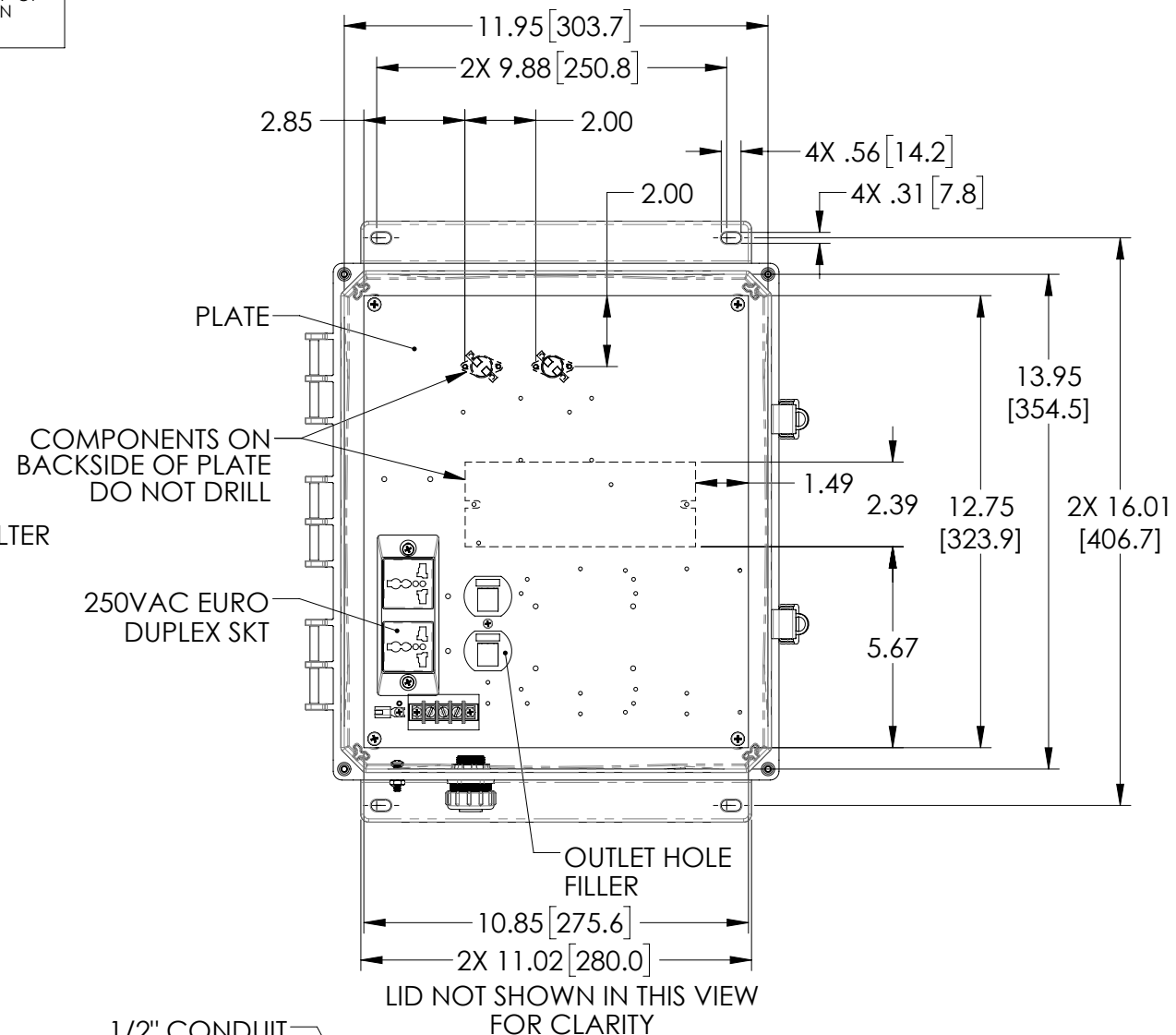


THE INFORMATION CONTAINED IN THIS DRAWING IS THE SOLE PROPERTY OF L-COM, INC. ANY REPRODUCTIONS IN PART OR WHOLE WITHOUT THE WRITTEN PERMISSION OF L-COM, INC. IS PROHIBITED.

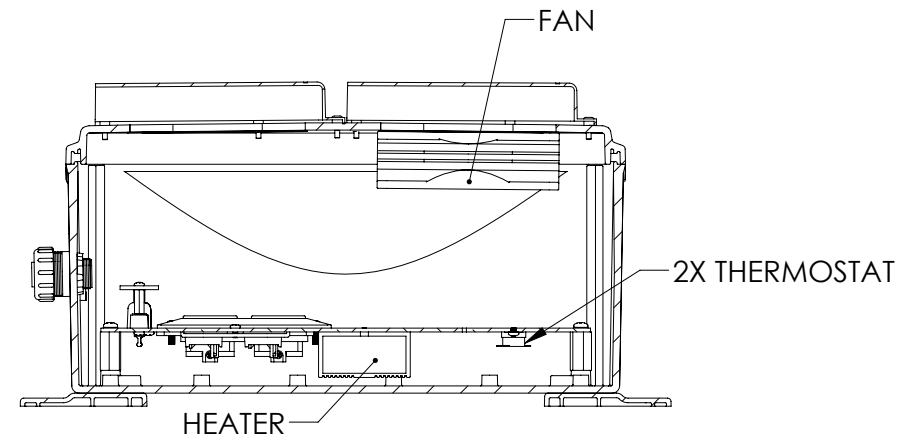
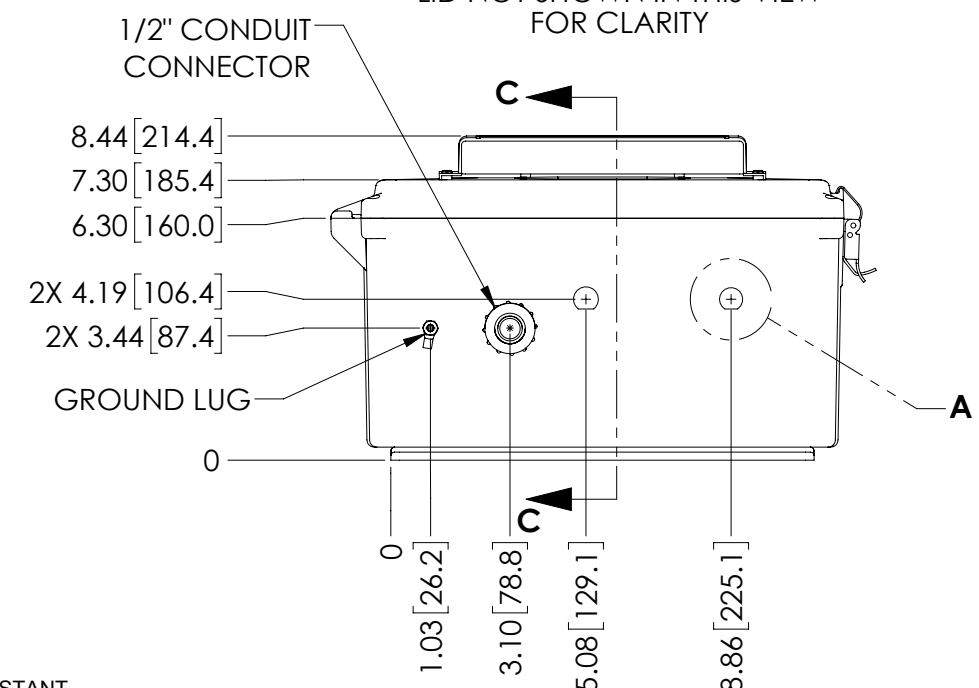
REVISIONS			
REV	DESCRIPTION	DATE	CHANGED BY
A	INITIAL RELEASE	05/15/2019	MMARTINEZ



VIEW B-B



DETAIL A



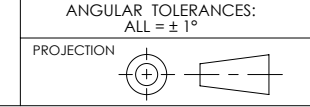
SECTION C-C

- NOTES:
- ENCLOSURE MATERIAL-LIGHT GRAY (PANTONE 422C) HIGH-IMPACT, UV RESISTANT POLYCARBONATE.
 - TEMPERATURE RANGE: -40°F TO 265°F
 - CABINETS ARE MAINTENANCE FREE AND CORROSION RESISTANT.
 - SHALL BE PACKAGED AS PER L-COM SPEC
 - ALL DIMENSIONS FOR REFERENCE ONLY.

UNLESS OTHERWISE SPECIFIED, DIMENSIONS ARE IN INCHES [mm]

DIMENSIONAL TOLERANCES:
 ..X = ±.1 [2.54]
 ..XX = ±.01 [.25]
 .XXX = ±.005 [.13]

ANGULAR TOLERANCES:
 ALL ± 1°



APPROVALS	DATE
DZINN	05/07/2019
DFRISIELLO	05/07/2019
MMARTINEZ	05/07/2019

L-COM Global Connectivity
 50 HIGH STREET
 NORTH ANDOVER, MA 01845

CATEGORY: ENCLOSURE

PRODUCT DESCRIPTION: ENCL PC 14x12x06" w/Fan & Heat UNIV 240VAC Plate

SIZE	FSCM NO.	DWG. NO.	REV.
B	43321	NBPC141206-EHF	A

SCALE: 1:5 CAD FILE: NBPC141206-EHF.SLDDRW SHEET 1 OF 1