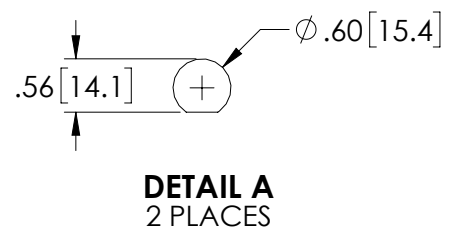
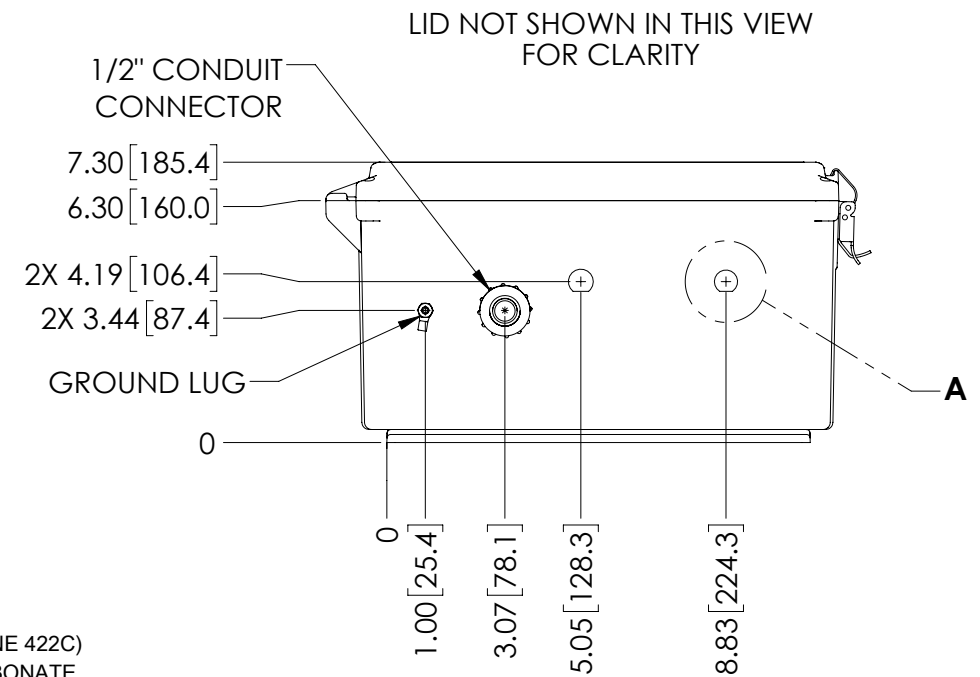
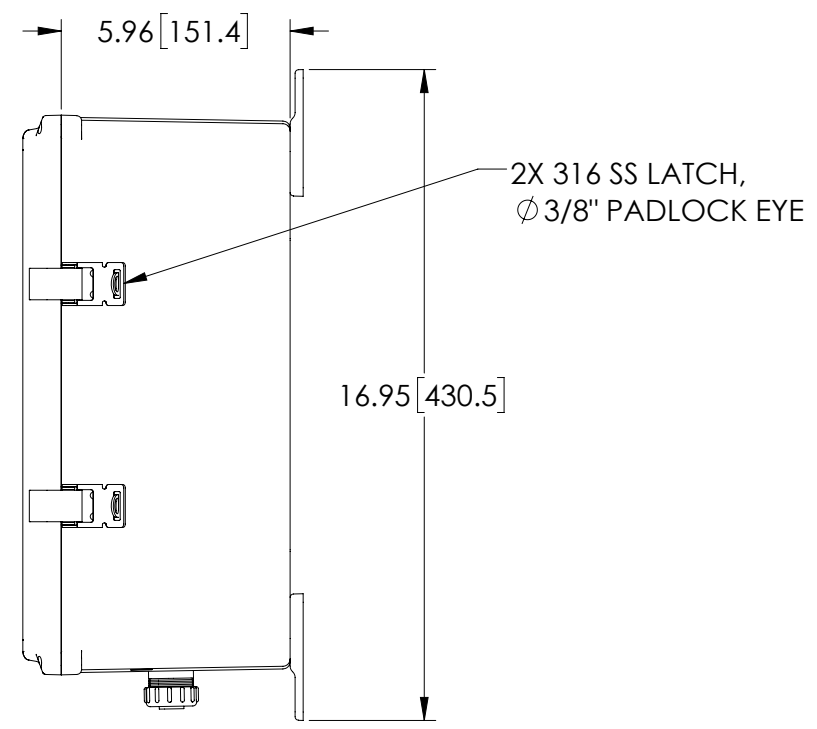
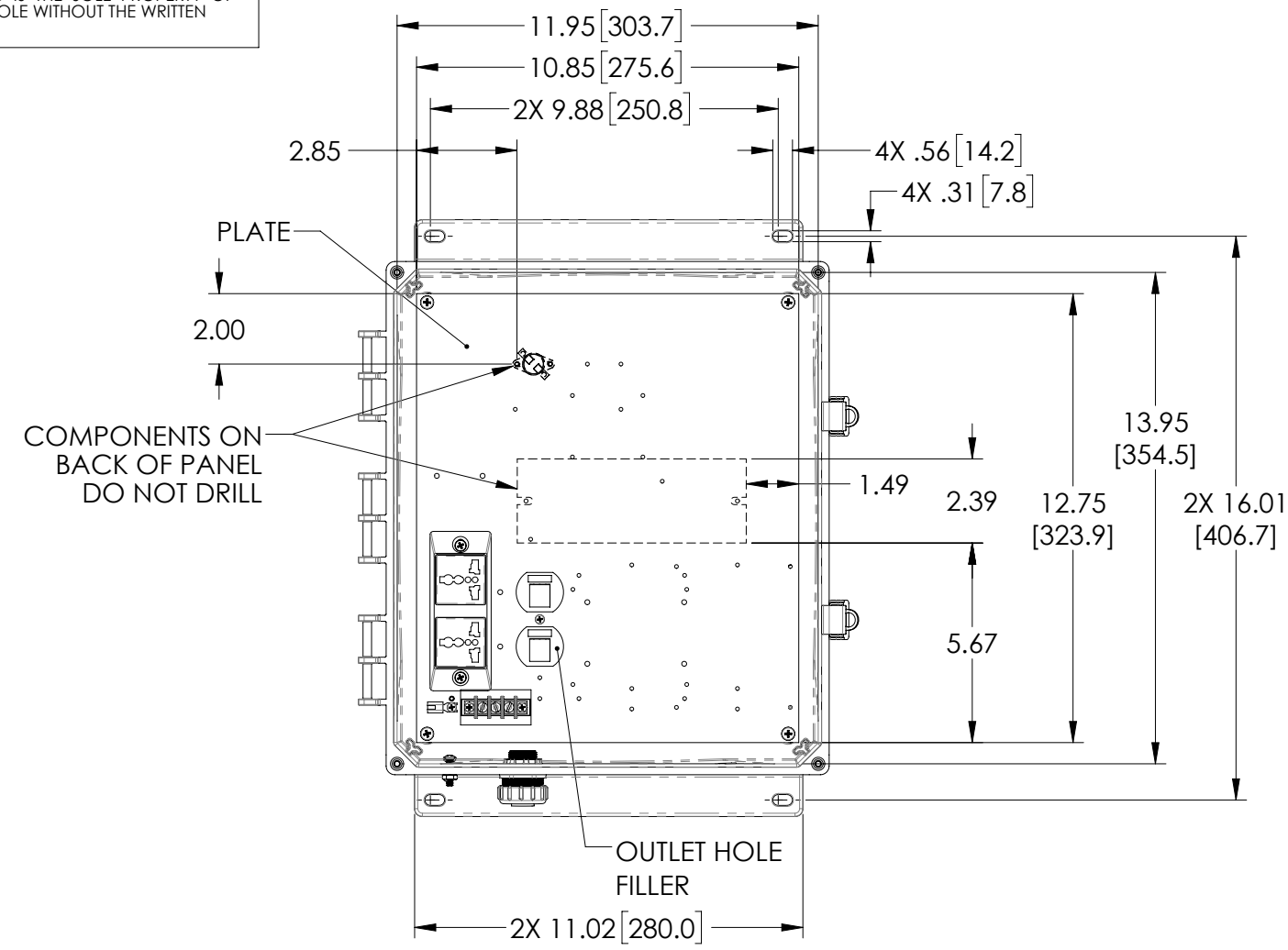


THE INFORMATION CONTAINED IN THIS DRAWING IS THE SOLE PROPERTY OF L-COM, INC. ANY REPRODUCTIONS IN PART OR WHOLE WITHOUT THE WRITTEN PERMISSION OF L-COM, INC. IS PROHIBITED.

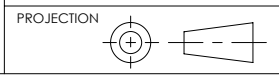
REVISIONS			
REV	DESCRIPTION	DATE	CHANGED BY
A	INITIAL RELEASE	05/16/2019	MMARTINEZ



LID NOT SHOWN IN THIS VIEW FOR CLARITY

- NOTES:
- ENCLOSURE MATERIAL-LIGHT GRAY (PANTONE 422C) HIGH-IMPACT, UV RESISTANT POLYCARBONATE.
  - TEMPERATURE RANGE: -40°F TO 265°F
  - CABINETS ARE MAINTENANCE FREE AND CORROSION RESISTANT.
  - SHALL BE PACKAGED AS PER L-COM SPEC
  - ALL DIMENSIONS FOR REFERENCE ONLY.

UNLESS OTHERWISE SPECIFIED, DIMENSIONS ARE IN INCHES [mm]  
 DIMENSIONAL TOLERANCES:  
 ..X = ±.1 [2.54]  
 .XX = ±.01 [.25]  
 .XXX = ±.005 [.13]  
 ANGULAR TOLERANCES:  
 ALL = ± 1°



APPROVALS	DATE
DRAWN BY DZINN	05/07/2019
CHECKED BY DFRISIELLO	05/07/2019
APPROVED BY MMARTINEZ	05/07/2019

**L-com** Global Connectivity  
 50 HIGH STREET  
 NORTH ANDOVER, MA  
 01845

CATEGORY	ENCLOSURE		
PRODUCT DESCRIPTION	ENCL PC 14x12x06" w/240VAC HEATED MOUNT PLATE		
SIZE	FSCM NO.	DWG. NO.	REV.
<b>B</b>	<b>43321</b>	NBPC141206-EH0	<b>A</b>

SCALE: 1:5 CAD FILE: NBPC141206-EH0.SLDDRW SHEET 1 OF 1