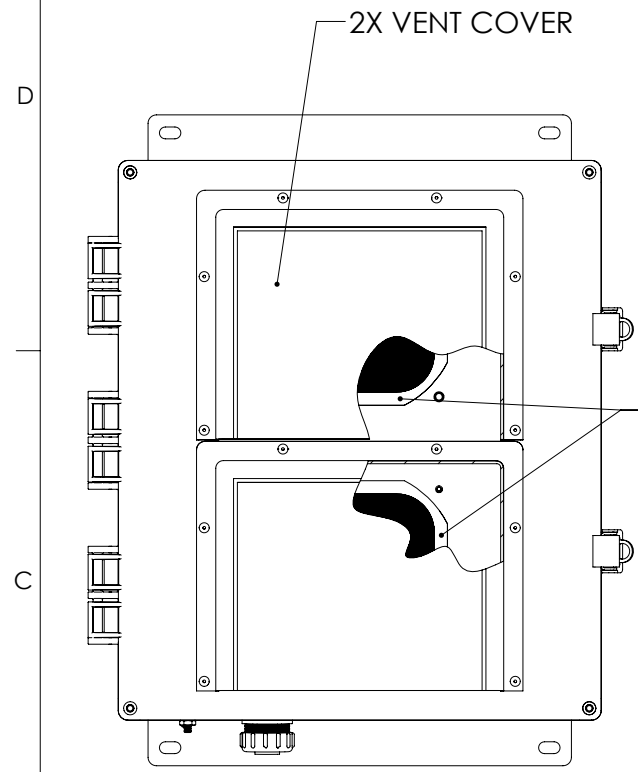
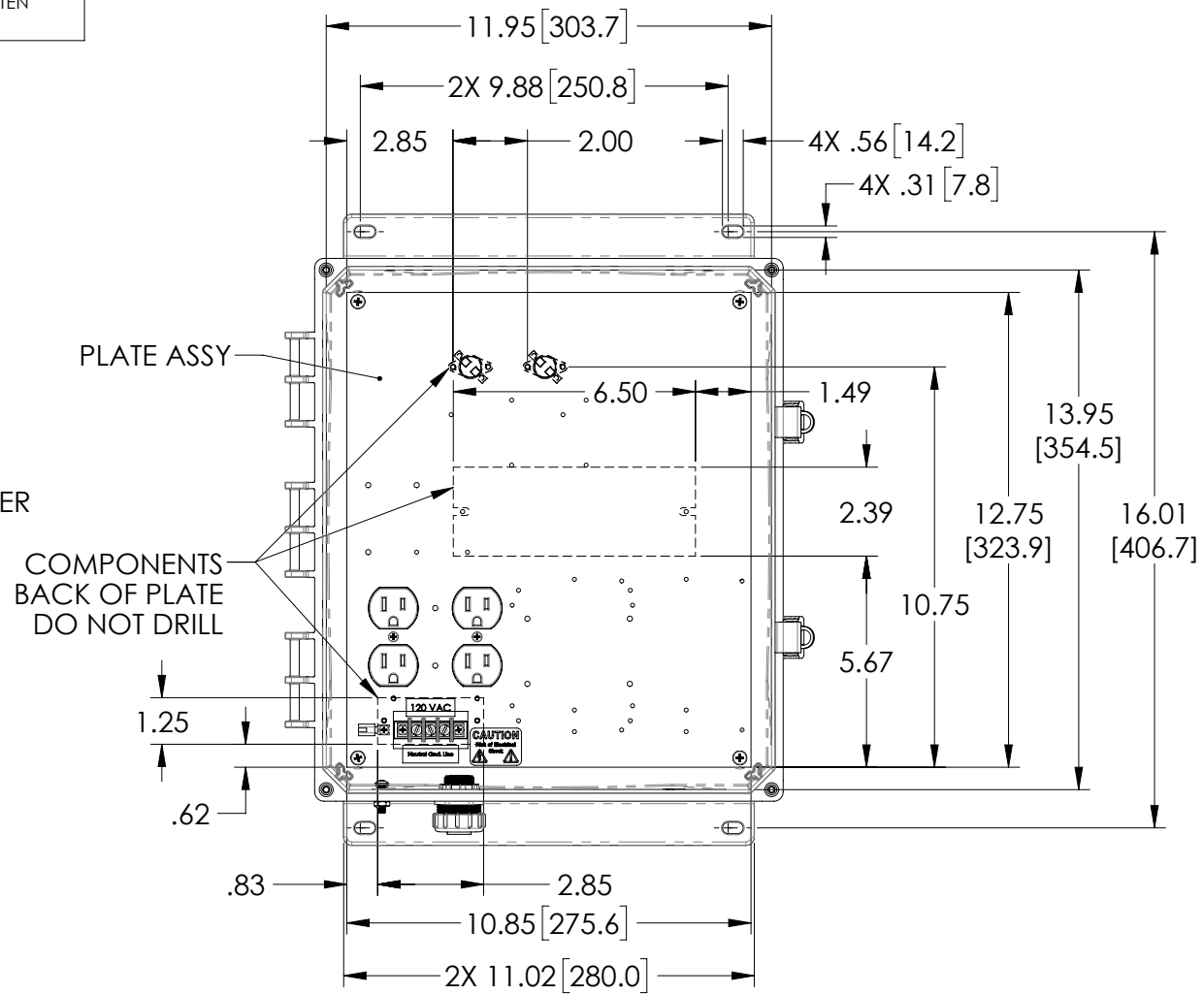


THE INFORMATION CONTAINED IN THIS DRAWING IS THE SOLE PROPERTY OF L-COM, INC. ANY REPRODUCTIONS IN PART OR WHOLE WITHOUT THE WRITTEN PERMISSION OF L-COM, INC. IS PROHIBITED.

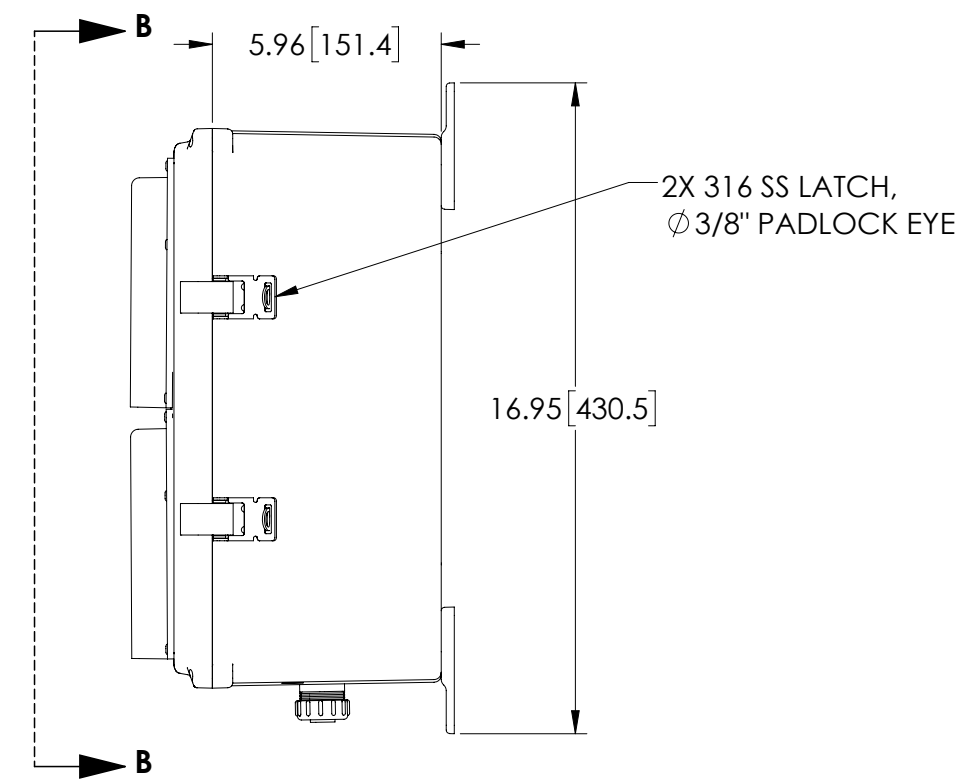
REVISIONS			
REV	DESCRIPTION	DATE	CHANGED BY
A	INITIAL RELEASE	05/15/2019	MMARTINEZ



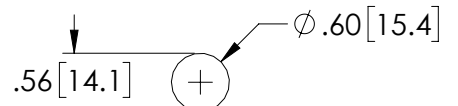
VIEW B-B



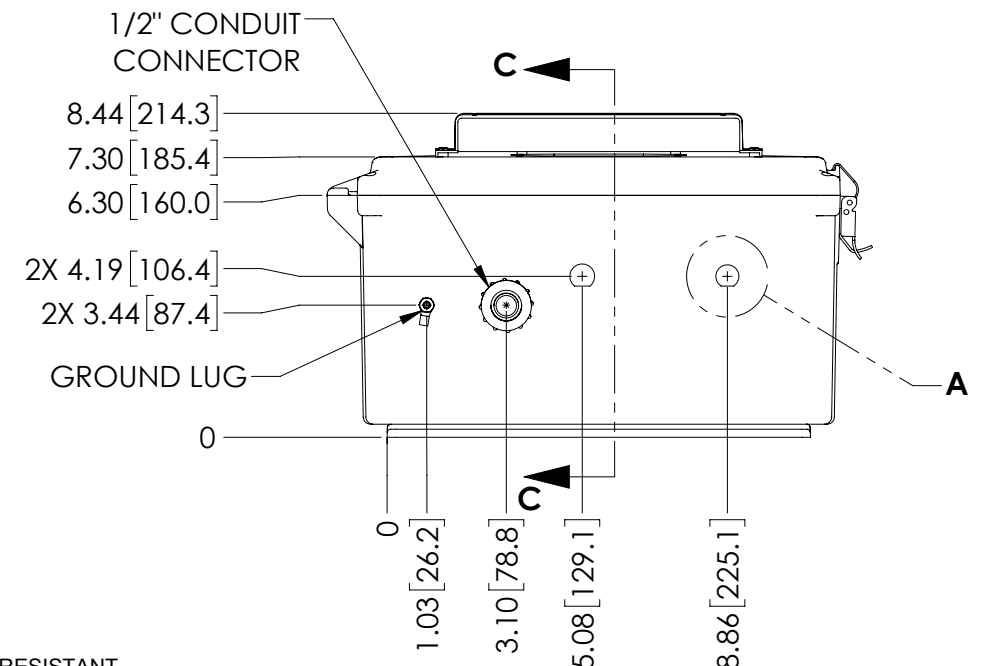
LID NOT SHOWN IN THIS VIEW FOR CLARITY



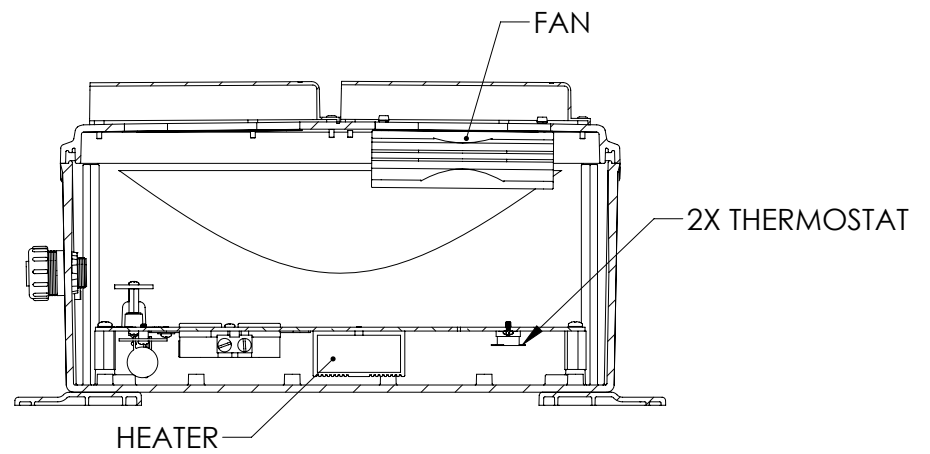
2X 316 SS LATCH, Ø 3/8" PADLOCK EYE



DETAIL A
2 PLACES



GROUND LUG

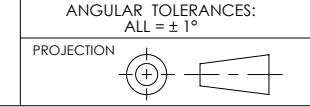


SECTION C-C

NOTES:

- ENCLOSURE MATERIAL-LIGHT GRAY (PANTONE 422C) HIGH-IMPACT, UV RESISTANT POLYCARBONATE.
- TEMPERATURE RANGE: -40°F TO 265°F
- CABINETS ARE MAINTENANCE FREE AND CORROSION RESISTANT.
- SHALL BE PACKAGED AS PER L-COM SPEC
- ALL DIMENSIONS FOR REFERENCE ONLY.

UNLESS OTHERWISE SPECIFIED, DIMENSIONS ARE IN INCHES [mm]
 DIMENSIONAL TOLERANCES:
 ..X = ±.1 [2.54]
 .XX = ±.01 [.25]
 .XXX = ±.005 [.13]
 ANGULAR TOLERANCES:
 ALL = ± 1°



APPROVALS	DATE
DZINN	05/02/2019
DFRISIELLO	05/02/2019
MMARTINEZ	05/02/2019

CONFIGURATION DETAILS OF UNDIMENSIONED FEATURES MAY VARY
 COLOR VARIATIONS MAY OCCUR

L-com Global Connectivity
 50 HIGH STREET
 NORTH ANDOVER, MA
 01845

CATEGORY: ENCLOSURE
 PRODUCT DESCRIPTION: ENCL PC 14x12x06" w/85° Fan & Heat 120VAC MT PLT

SIZE	FSCM NO.	DWG. NO.	REV.
B	43321	NBPC141206-1HF-1	A

SCALE: 1:5 CAD FILE: NBPC141206-1HF-1.SLDDRW SHEET 1 OF 1