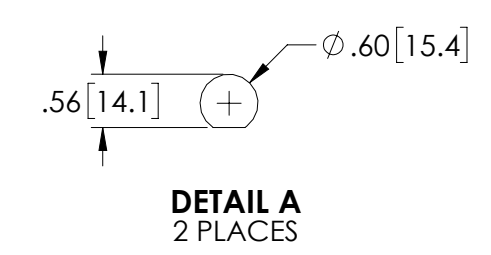
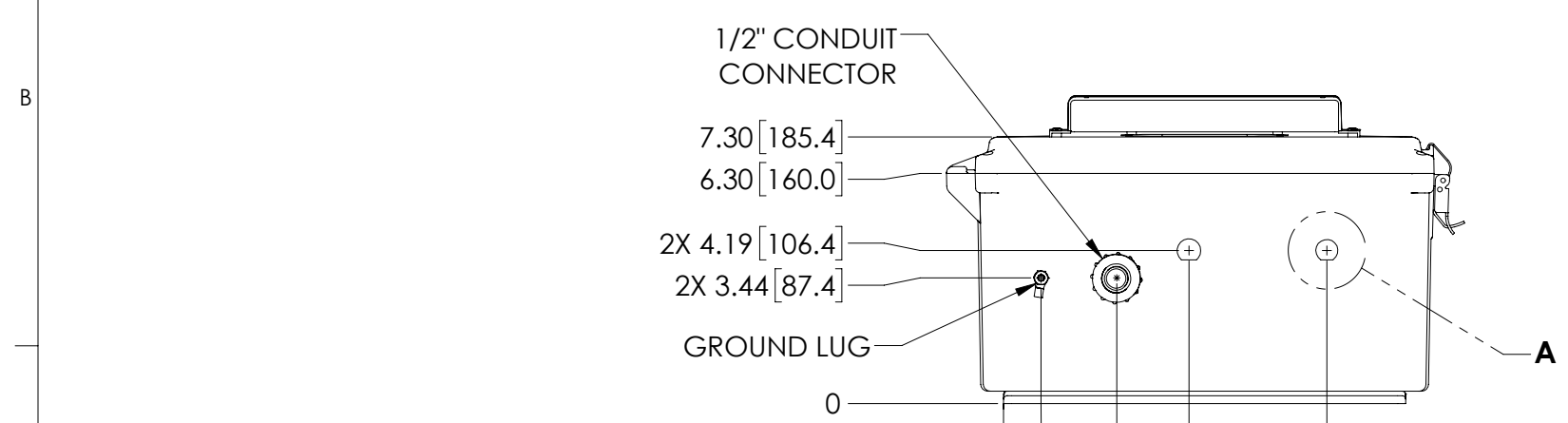
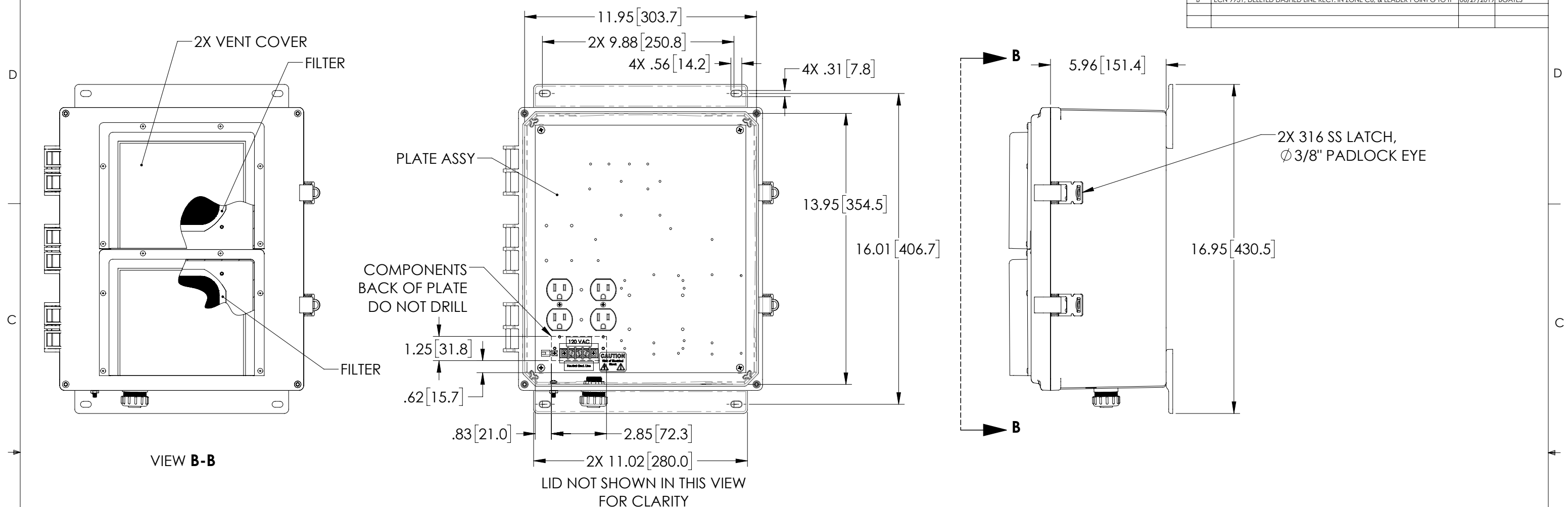


THE INFORMATION CONTAINED IN THIS DRAWING IS THE SOLE PROPERTY OF L-COM, INC. ANY REPRODUCTIONS IN PART OR WHOLE WITHOUT THE WRITTEN PERMISSION OF L-COM, INC. IS PROHIBITED.

REVISIONS			
REV	DESCRIPTION	DATE	CHANGED BY
A	INITIAL RELEASE	05/15/2019	MMARTINEZ
B	ECN 9931; DELETED DASHED LINE RECT. IN ZONE C6. & LEADER POINTG TO IT	06/27/2019	BGATES



- NOTES:
- ENCLOSURE MATERIAL-LIGHT GRAY (PANTONE 422C) HIGH-IMPACT, UV RESISTANT POLYCARBONATE.
 - TEMPERATURE RANGE: -40°F TO 265°F
 - CABINETS ARE MAINTENANCE FREE AND CORROSION RESISTANT.
 - SHALL BE PACKAGED AS PER L-COM SPEC
 - ALL DIMENSIONS FOR REFERENCE ONLY.

UNLESS OTHERWISE SPECIFIED, DIMENSIONS ARE IN INCHES [mm] DIMENSIONAL TOLERANCES: ..X = ±.1 [2.54] ..XX = ±.01 [.25] ..XXX = ±.005 [.13] ANGULAR TOLERANCES: ALL = ± 1°	APPROVALS	DATE		50 HIGH STREET NORTH ANDOVER, MA 01845
	DRAWN BY DZINN	05/01/2019		
	CHECKED BY DFRISIELLO	05/01/2019		
	APPROVED BY MMARTINEZ	05/01/2019		
PROJECTION	CONFIGURATION DETAILS OF UNDIMENSIONED FEATURES MAY VARY COLOR VARIATIONS MAY OCCUR		CATEGORY ENCLOSURE	PRODUCT DESCRIPTION ENCL PC 14x12x06" w/Vent Lid & 120VAC Mount Plate
	SIZE	FSCM NO.	DWG. NO.	REV.
	B	43321	NBPC141206-10V	B
	SCALE: 1:5	CAD FILE: NBPC141206-10V.SLDDRW		SHEET 1 OF 1