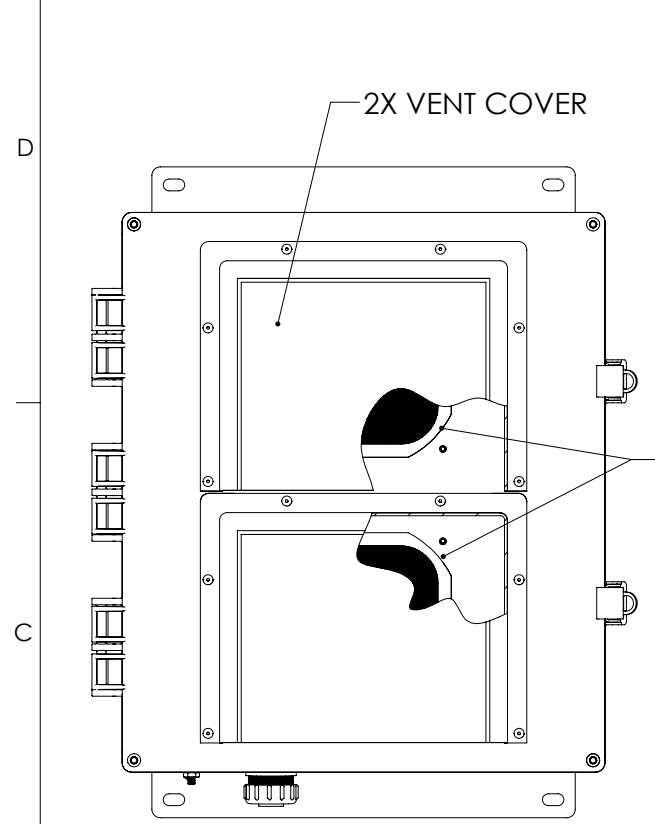
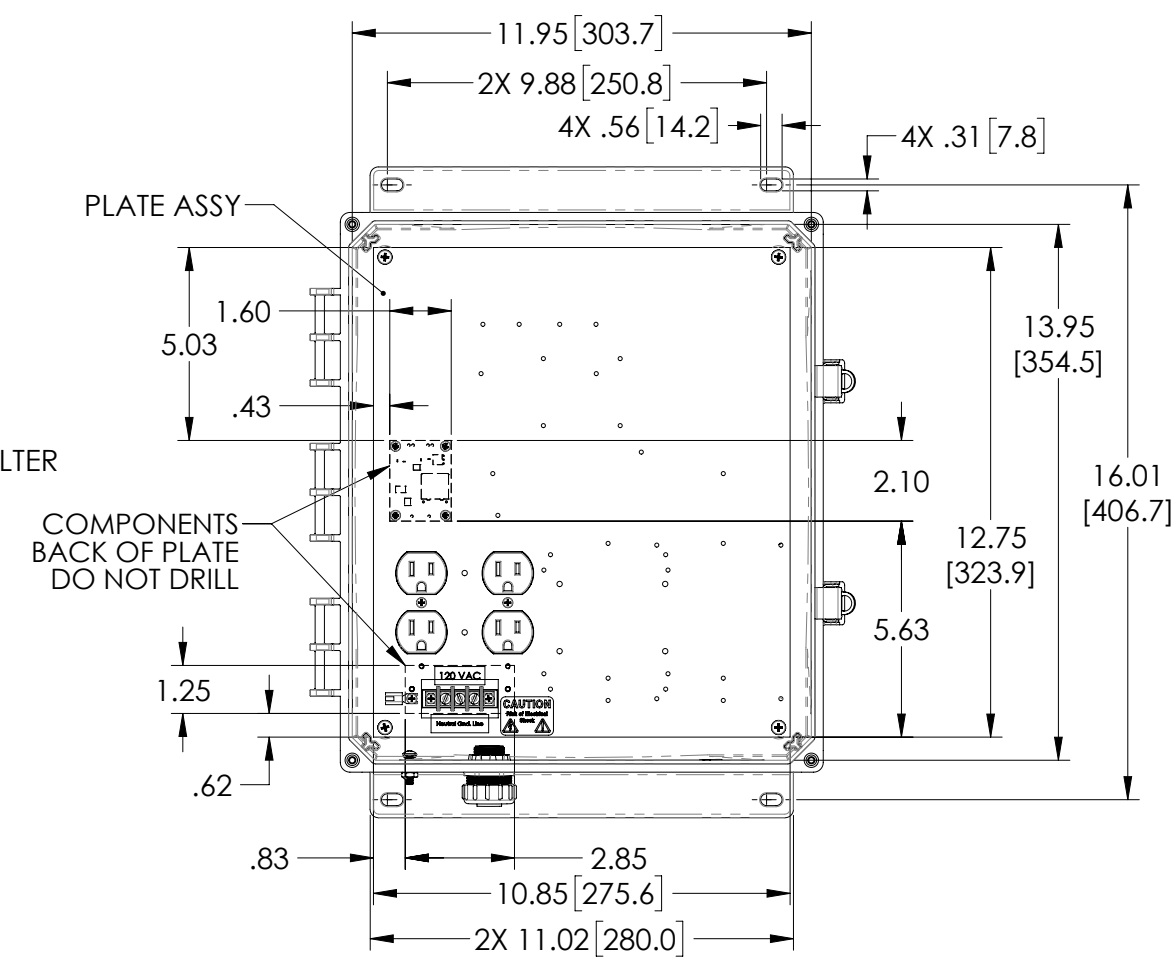


THE INFORMATION CONTAINED IN THIS DRAWING IS THE SOLE PROPERTY OF L-COM, INC. ANY REPRODUCTIONS IN PART OR WHOLE WITHOUT THE WRITTEN PERMISSION OF L-COM, INC. IS PROHIBITED.

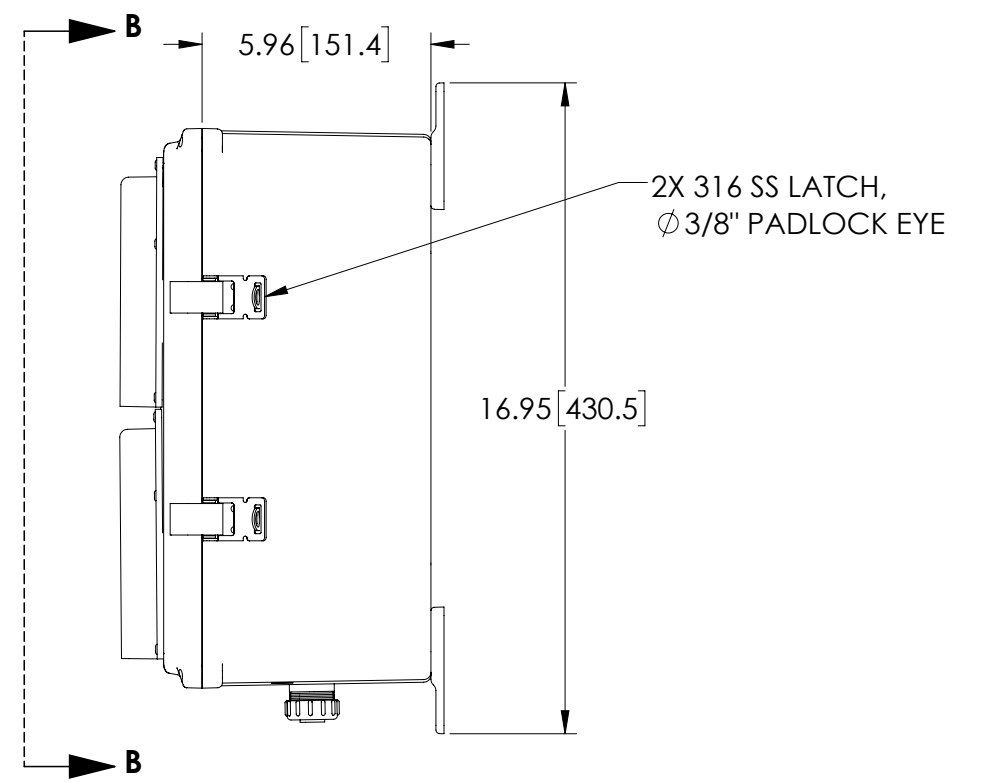
| REVISIONS | | | |
|-----------|-----------------|------------|------------|
| REV | DESCRIPTION | DATE | CHANGED BY |
| A | INITIAL RELEASE | 05/15/2019 | MMARTINEZ |
| | | | |
| | | | |



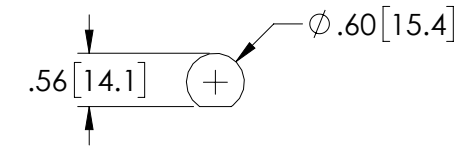
VIEW B-B



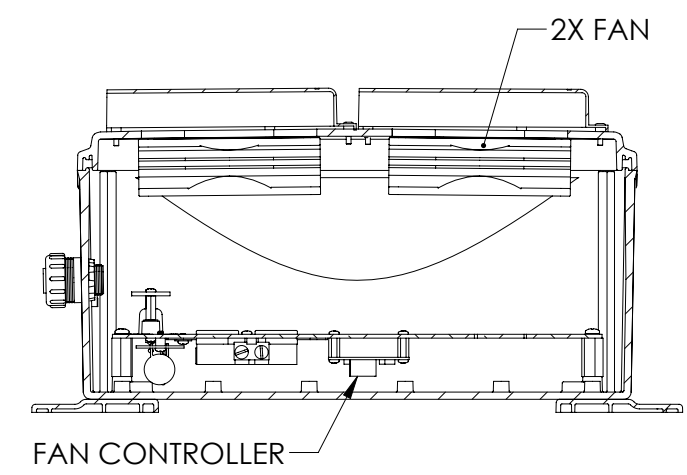
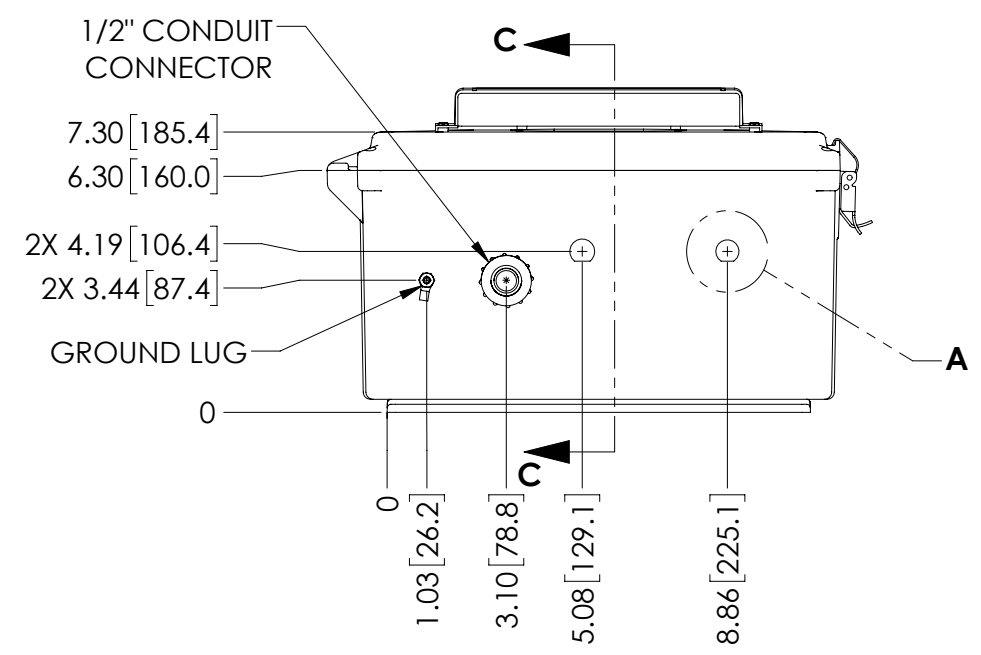
LID NOT SHOWN IN THIS VIEW FOR CLARITY



2X 316 SS LATCH, Ø 3/8" PADLOCK EYE



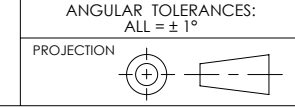
DETAIL A
2 PLACES



SECTION C-C

- NOTES:
- ENCLOSURE MATERIAL-LIGHT GRAY (PANTONE 422C) HIGH-IMPACT, UV RESISTANT POLYCARBONATE.
 - TEMPERATURE RANGE: -40°F TO 265°F
 - CABINETS ARE MAINTENANCE FREE AND CORROSION RESISTANT.
 - SHALL BE PACKAGED AS PER L-COM SPEC
 - ALL DIMENSIONS FOR REFERENCE ONLY.

UNLESS OTHERWISE SPECIFIED, DIMENSIONS ARE IN INCHES [mm]
 DIMENSIONAL TOLERANCES:
 .X = ±.1 [2.54]
 .XX = ±.01 [.25]
 .XXX = ±.005 [.13]
 ANGULAR TOLERANCES:
 ALL = ± 1°



| APPROVALS | DATE |
|------------|------------|
| DZINN | 04/29/2019 |
| DFRISIELLO | 04/29/2019 |
| MMARTINEZ | 04/29/2019 |

L-com Global Connectivity
 50 HIGH STREET
 NORTH ANDOVER, MA 01845

| | | | |
|--|-----------------------------------|------------------|--------------|
| CATEGORY | | ENCLOSURE | |
| PRODUCT DESCRIPTION | | | |
| ENCL PC 14x12x06" w/Pwr Sav SS Dual-Fan 120VAC Plt | | | |
| SIZE | FSCM NO. | DWG. NO. | REV. |
| B | 43321 | NBPC141206-10FSD | A |
| SCALE: 1:5 | CAD FILE: NBPC141206-10FSD.SLDDRW | | SHEET 1 OF 1 |