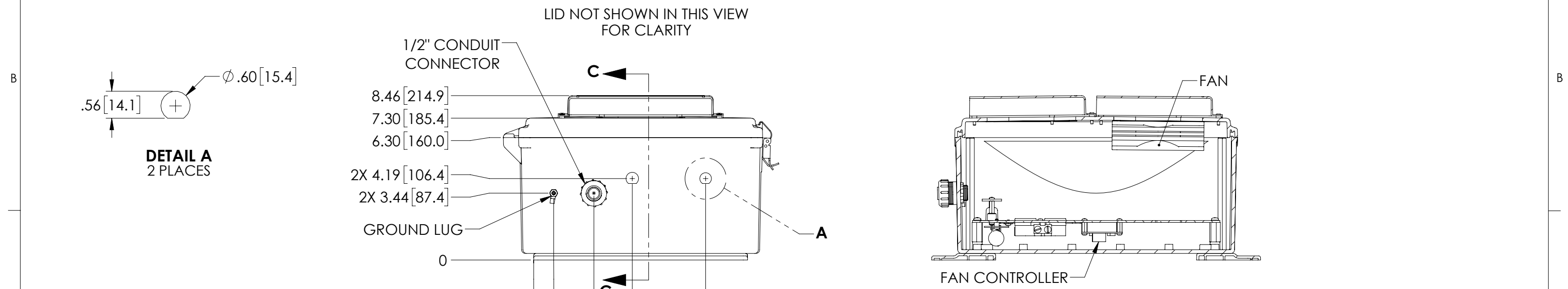
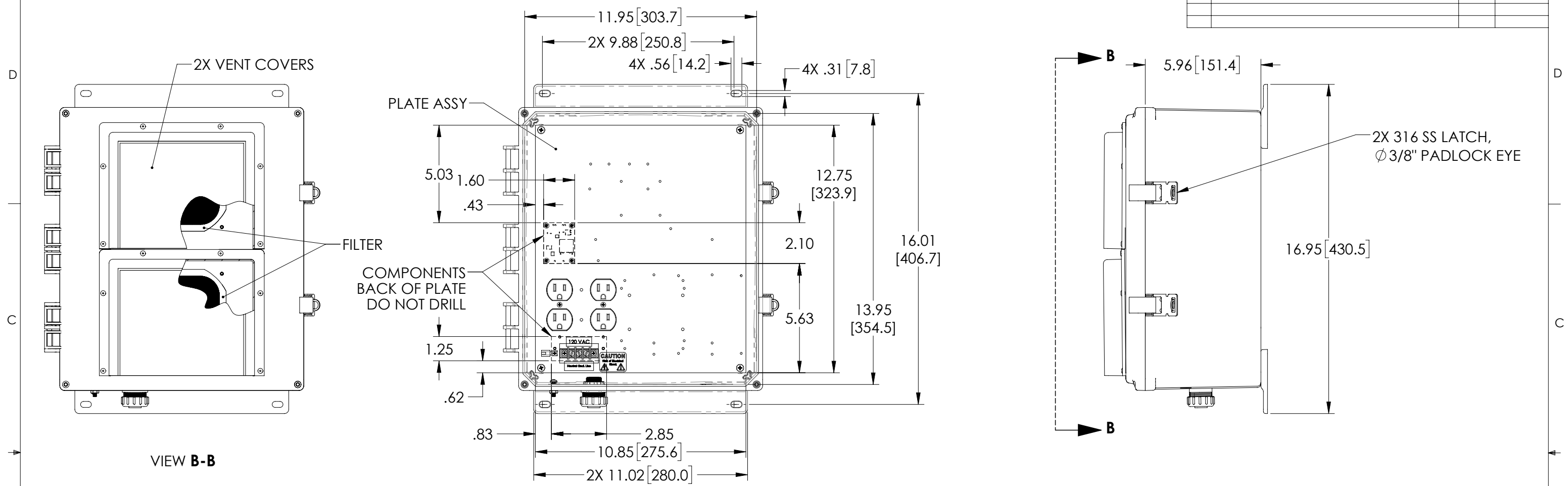


THE INFORMATION CONTAINED IN THIS DRAWING IS THE SOLE PROPERTY OF L-COM, INC. ANY REPRODUCTIONS IN PART OR WHOLE WITHOUT THE WRITTEN PERMISSION OF L-COM, INC. IS PROHIBITED.

REVISIONS			
REV	DESCRIPTION	DATE	CHANGED BY
A	INITIAL RELEASE	05/15/2019	MMARTINEZ



- NOTES:
- ENCLOSURE MATERIAL-LIGHT GRAY (PANTONE 422C) HIGH-IMPACT, UV RESISTANT POLYCARBONATE.
  - TEMPERATURE RANGE: -40°F TO 265°F
  - CABINETS ARE MAINTENANCE FREE AND CORROSION RESISTANT.
  - SHALL BE PACKAGED AS PER L-COM SPEC
  - ALL DIMENSIONS FOR REFERENCE ONLY.

UNLESS OTHERWISE SPECIFIED, DIMENSIONS ARE IN INCHES [mm]

DIMENSIONAL TOLERANCES:  
 .X = ±.1 [2.54]  
 .XX = ±.01 [.25]  
 .XXX = ±.005 [.13]

ANGULAR TOLERANCES:  
 ALL = ± 1°

PROJECTION

APPROVALS	DATE
DRAWN BY DZINN	04/29/2019
CHECKED BY DFRISIELLO	04/29/2019
APPROVED BY MMARTINEZ	04/29/2019

CONFIGURATION DETAILS OF UNDIMENSIONED FEATURES MAY VARY

COLOR VARIATIONS MAY OCCUR

**L-COM** Global Connectivity 50 HIGH STREET NORTH ANDOVER, MA 01845

CATEGORY: ENCLOSURE

PRODUCT DESCRIPTION: ENCL PC 14x12x06" w/SS Fan 120VAC Mount Plate

SIZE	FSCM NO.	DWG. NO.	REV.
<b>B</b>	<b>43321</b>	NBPC141206-10FS	<b>A</b>

SCALE: 1:5 CAD FILE: NBPC141206-10FS.SLDDRW SHEET 1 OF 1