

6

5

4

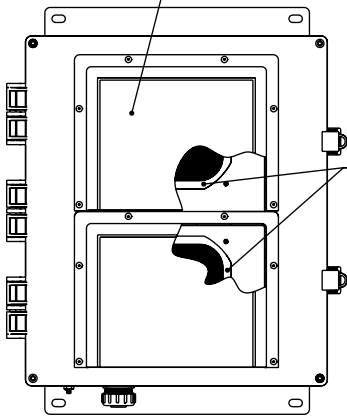
3

2

1

REVISION					
ZONE	REV.	DESCRIPTION	DATE	CHANGED BY	APPROVED BY
	A	INITIAL RELEASE	07/22/2023	BPUCHASKI	MMARTINEZ

2X VENT COVER



VIEW B-B

PLATE ASSY

FILTER

COMPONENTS BACK OF PLATE DO NOT DRILL

1.25

.62

.83

2.85

2X 11.02 [280.0]

12.6 [319]

2X 9.88 [250.8]

4X .56 [14.2]

4X .31 [7.8]

2X 16.01 [406.7]

14.6 [370]

LID NOT SHOWN IN THIS VIEW FOR CLARITY

1/2" CONDUIT CONNECTOR

8.5 [215]

7.3 [185]

6.3 [160]

2X 4.191 [106.45]

2X 3.441 [87.40]

GROUND LUG

0

C

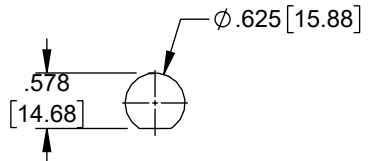
1.002 [25.45]

3.100 [78.74]

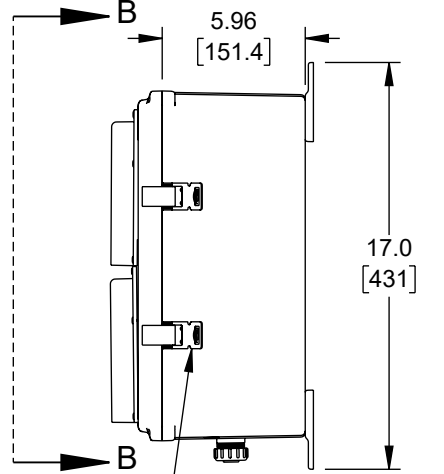
5.052 [128.32]

8.832 [224.33]

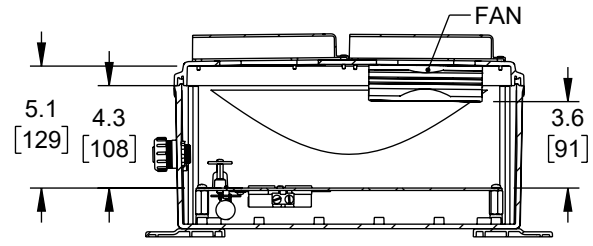
C



DETAIL A 2 PLACES



2X 316 SS LATCH, Ø 3/8" PADLOCK EYE



SECTION C-C

UNLESS OTHERWISE SPECIFIED LEADING DIMENSIONS ARE INCHES DIMENSIONS IN [] ARE MILLIMETERS

TOLERANCES:	
X = ±.2 [5]	FRACTIONS ± 1/32
.XX = ±.02 [0.5]	ANGLES ± 1°
.XXX = ±.005 [0.13]	

CABLE LENGTH TOLERANCES:

>12 [305]	≤12 [305]	= +1 [25] / -0
>60 [1524]	≤60 [1524]	= +2 [51] / -0
>80 [3048]	≤80 [3048]	= +4 [102] / -0
>120 [3048]	≤120 [3048]	= +6 [152] / -0
>300 [7620]	≤300 [7620]	= +5% / -0

ALL DIMENSIONS ARE FOR REFERENCE ONLY AND SUBJECT TO CHANGE WITHOUT NOTICE. UN-DIMENSIONED/NON-CRITICAL FEATURES MAY VARY IN SIZE AND LOCATION COLORS MAY VARY

L-com an INFINIT® brand

Website: www.L-com.com Phone: 1.800.341.5266 | 1.978.682.6936

INTERPRET ALL DIMENSIONS AND TOLERANCES PER ASME Y14.5	
SCALE NONE	SHEET 1 OF 1

DESCRIPTION NEMA ENCLOSURE, POLYCARBONATE, 14X12X06" WEATHERPROOF 120VAC W/FAN - UL LISTED

SIZE A	CAGE CODE 43321	DRAWN BY BPUCHASKI	ITEM NO. NBPC141206-10F-UL	REV A
--------	-----------------	--------------------	----------------------------	-------

THE INFORMATION CONTAINED IN THIS DRAWING IS THE SOLE PROPERTY OF INFINITE ELECTRONICS, INC. ANY REPRODUCTION IN PART OR WHOLE WITHOUT THE WRITTEN PERMISSION OF INFINITE ELECTRONICS, INC. IS PROHIBITED. THESE COMMODITIES, TECHNOLOGY OR SOFTWARE WERE EXPORTED FROM THE UNITED STATES IN ACCORDANCE WITH THE EXPORT ADMINISTRATION REGULATIONS. DIVERSION CONTRARY TO U.S. LAW PROHIBITED.

6

5

4

3

2

1