

6

5

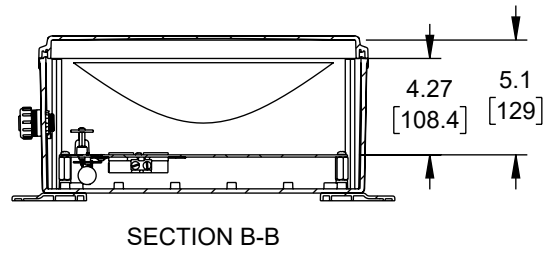
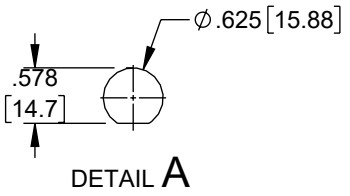
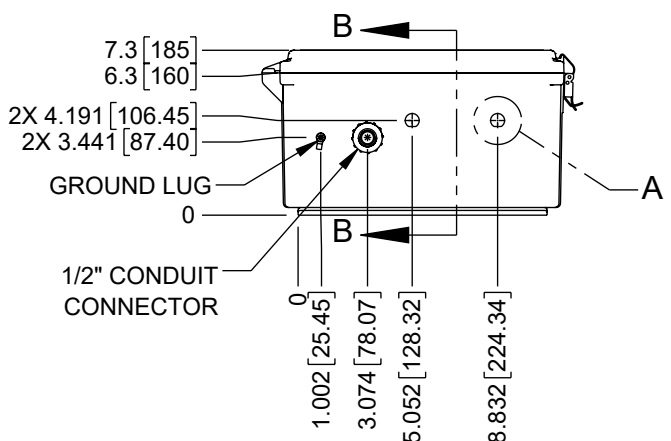
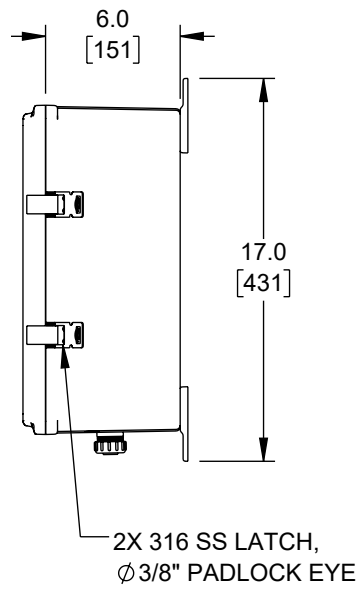
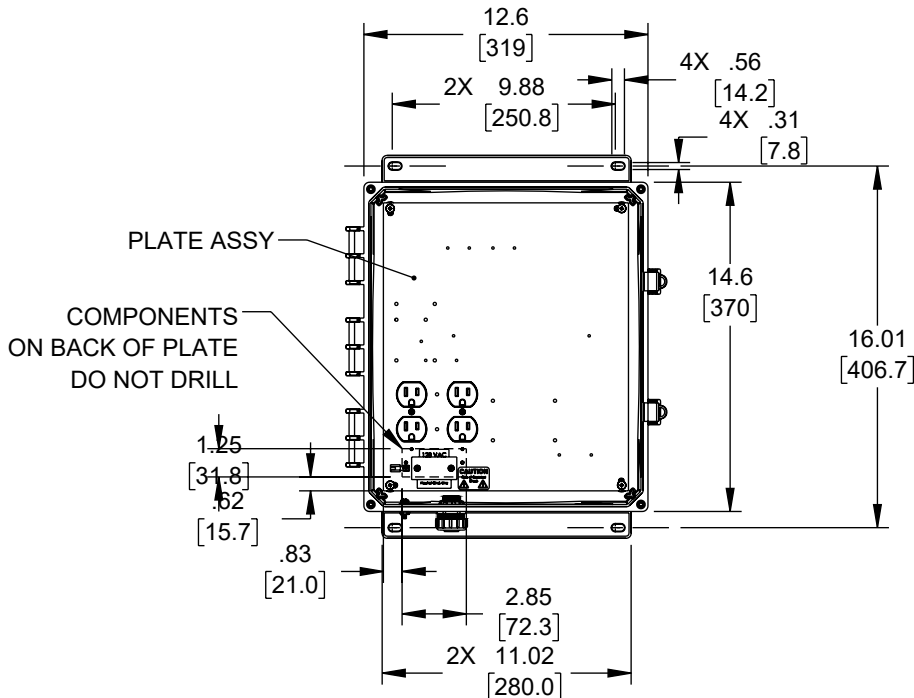
4

3

2

1

REVISION					
ZONE	REV.	DESCRIPTION	DATE	CHANGED BY	APPROVED BY
	A	INITIAL RELEASE	07/22/2023	BPUCHASKI	MMARTINEZ



UNLESS OTHERWISE SPECIFIED LEADING DIMENSIONS ARE INCHES DIMENSIONS IN [] ARE MILLIMETERS

TOLERANCES:

X = ±.2 [5]	FRACTIONS
.XX = ±.02 [0.5]	± 1/32
.XXX = ±.005 [0.13]	ANGLES ± 1°

CABLE LENGTH TOLERANCES:

>12 [305]	≤60 [1524]	= +1 [25] / -0
>60 [1524]	≤120 [3048]	= +2 [51] / -0
>120 [3048]	≤300 [7620]	= +6 [152] / -0
>300 [7620]		= +5% / -0

ALL DIMENSIONS ARE FOR REFERENCE ONLY AND SUBJECT TO CHANGE WITHOUT NOTICE. UN-DIMENSIONED/NON-CRITICAL FEATURES MAY VARY IN SIZE AND LOCATION. COLORS MAY VARY.

L-com
an INFINIT@ brand
Website: www.L-com.com
Phone: 1.800.341.5266 | 1.978.682.6936

SCALE	SHEET
NONE	1 OF 1

DESCRIPTION				REV
NEMA ENCLOSURE, POLYCARBONATE, 14X12X06" WEATHERPROOF 120VAC - UL LISTED				A
SIZE	CAGE CODE	DRAWN BY	ITEM NO.	
A	43321	BPUCHASKI	NBPC141206-100-UL	

THE INFORMATION CONTAINED IN THIS DRAWING IS THE SOLE PROPERTY OF INFINITE ELECTRONICS, INC. ANY REPRODUCTION IN PART OR WHOLE WITHOUT THE WRITTEN PERMISSION OF INFINITE ELECTRONICS, INC. IS PROHIBITED. THESE COMMODITIES, TECHNOLOGY OR SOFTWARE WERE EXPORTED FROM THE UNITED STATES IN ACCORDANCE WITH THE EXPORT ADMINISTRATION REGULATIONS. DIVERSION CONTRARY TO U.S. LAW PROHIBITED.

6

5

4

3

2

1