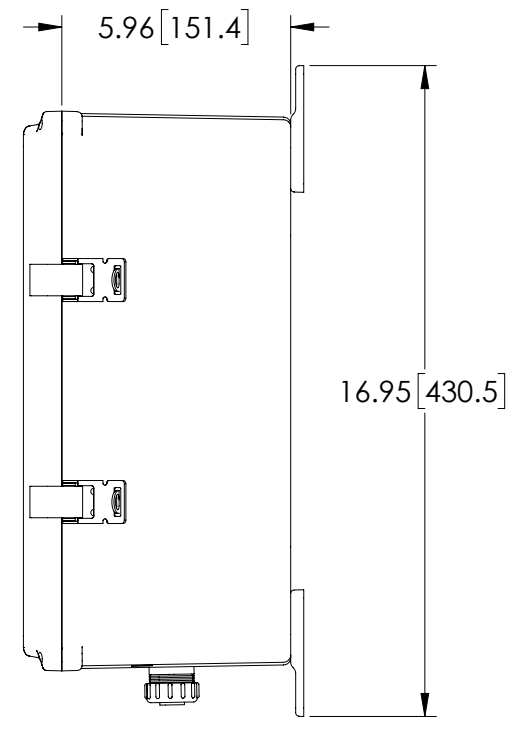
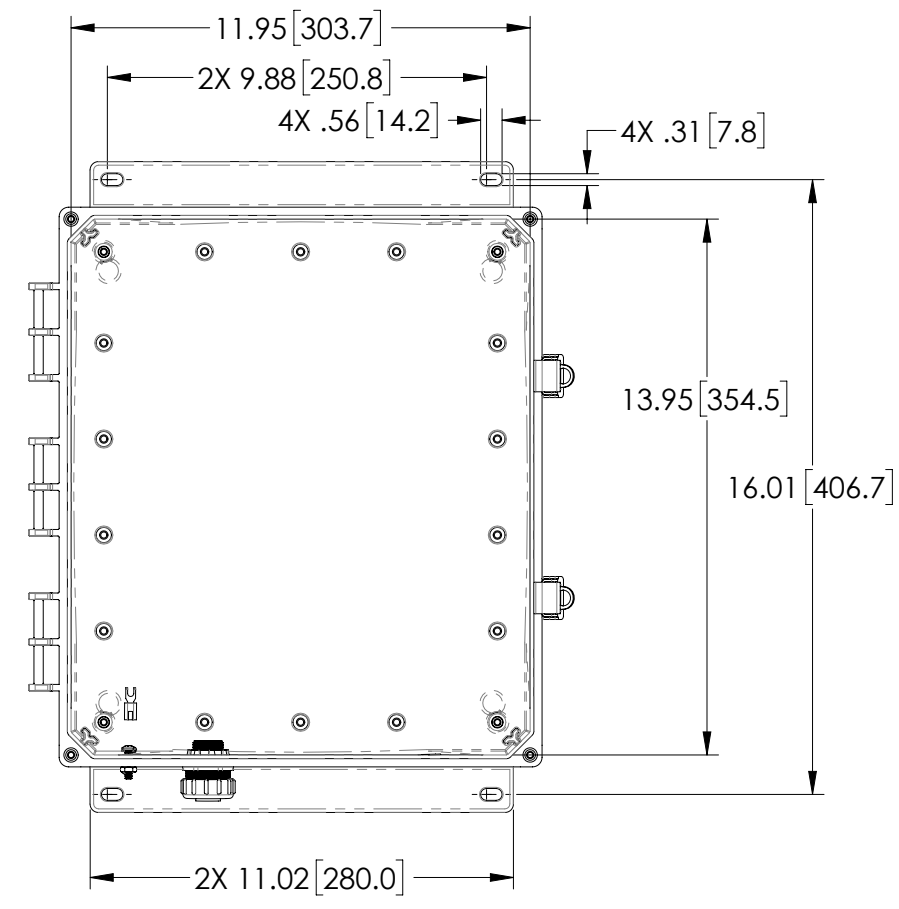
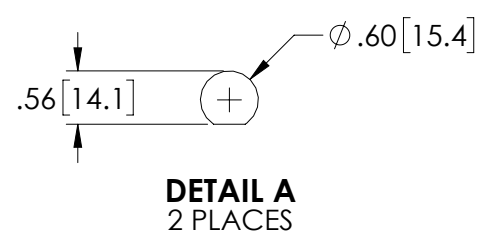
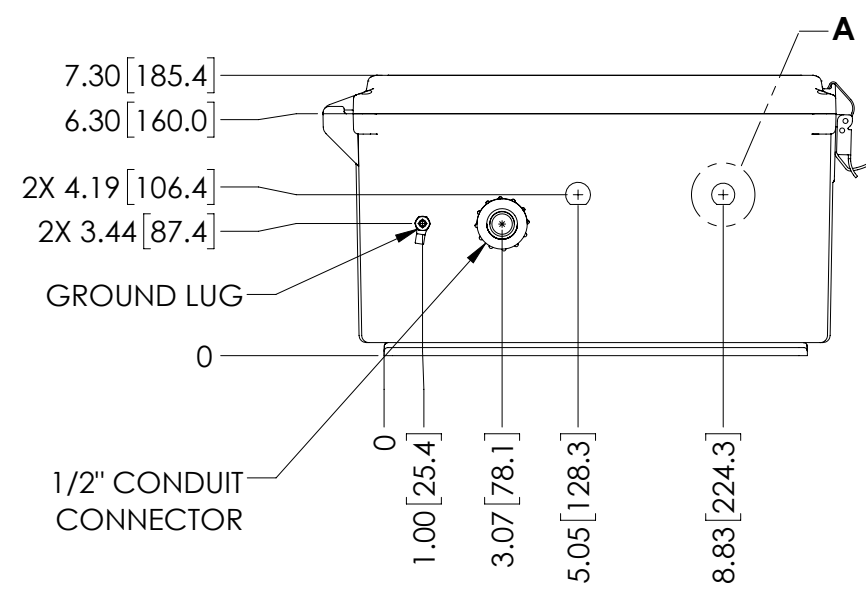


THE INFORMATION CONTAINED IN THIS DRAWING IS THE SOLE PROPERTY OF L-COM, INC. ANY REPRODUCTIONS IN PART OR WHOLE WITHOUT THE WRITTEN PERMISSION OF L-COM, INC. IS PROHIBITED.

REVISIONS			
REV	DESCRIPTION	DATE	CHANGED BY
A	INITIAL RELEASE	05/16/2019	MMARTINEZ



LID NOT SHOWN IN THIS VIEW FOR CLARITY



- NOTES:
- ENCLOSURE MATERIAL-LIGHT GRAY (PANTONE 422C) HIGH-IMPACT, UV RESISTANT POLYCARBONATE.
 - TEMPERATURE RANGE: -40°F TO 265°F
 - CABINETS ARE MAINTENANCE FREE AND CORROSION RESISTANT.
 - SHALL BE PACKAGED AS PER L-COM SPEC
 - ALL DIMENSIONS FOR REFERENCE ONLY.

UNLESS OTHERWISE SPECIFIED, DIMENSIONS ARE IN INCHES [mm] DIMENSIONAL TOLERANCES: ..X = ±.1 [2.54] ..XX = ±.01 [.25] ..XXX = ±.005 [.13] ANGULAR TOLERANCES: ALL = ± 1°	APPROVALS	DATE	 50 HIGH STREET NORTH ANDOVER, MA 01845
	DRAWN BY DZINN	04/29/2019	
	CHECKED BY DFRISIELLO	04/29/2019	
	APPROVED BY MMARTINEZ	04/29/2019	
PROJECTION	CONFIGURATION DETAILS OF UNDIMENSIONED FEATURES MAY VARY COLOR VARIATIONS MAY OCCUR		CATEGORY ENCLOSURE
	PRODUCT DESCRIPTION ENCL PC 14x12x06" w/MOD ENCL		SIZE B
	FSCM NO. 43321	DWG. NO. NBPC141206-02	REV. A
	SCALE: 1:5	CAD FILE: NBPC141206-02.SLDRW	SHEET 1 OF 1