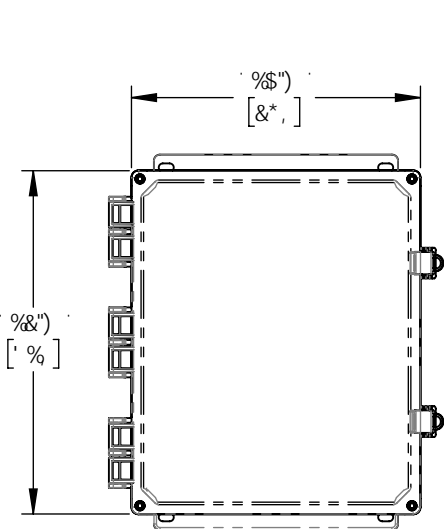
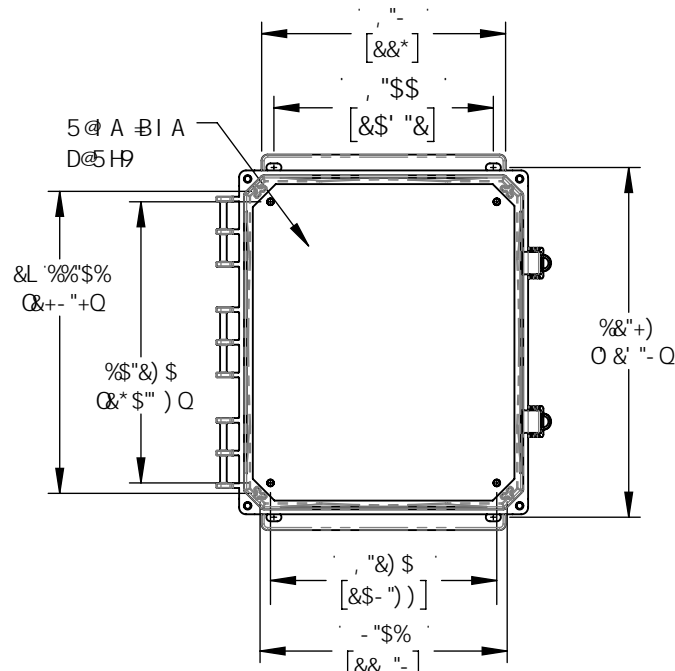


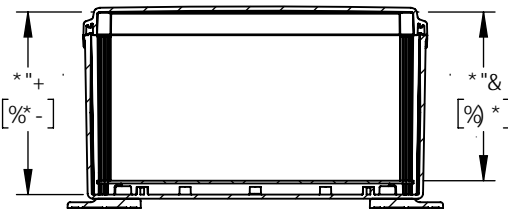
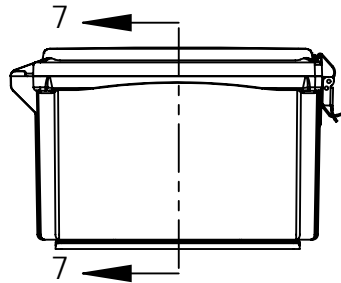
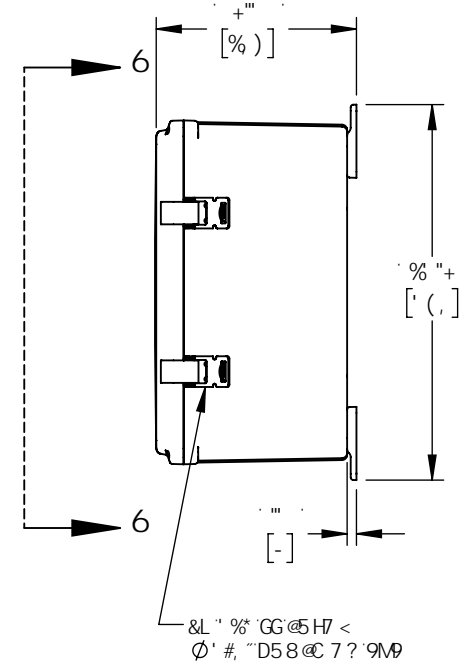
F9J 6C BG			
F9J "	8 9G7 F-DHC B	8 5HP	5 DDFC J 98
5	B #15 @F 9@95 C9	\$, #&' #8%	A A 5FHB 9N



J 9K '616



@8 BC HG<CK B : CF '7 @5F #M



G97 HC B '717

VP000UT T U09W0A/C0PPU0U0Y0A0U0Z0Y 0E0A 0U0D0Y0U0N0O0Z0UT A/P0A0P0Q0O0A0N0S0U0A0P0A0D0U0C0B0O0 Y 0P0A0P0O0Y0U0U0N0A0E0T 0E0W0V0C0E0P0A0U0O0M0S0E0W0P0U0E0Q0O0U0W0P0A0U0P0V0U0E0Y0A0N0E0S0Y 0U0U0P0W0Q0O0E

VP000UT T U09W0A/C0PPU0U0Y0A0U0Z0Y 0E0A 0U0D0Y0U0N0O0Z0UT A/P0A0P0Q0O0A0N0S0U0A0P0A0D0U0C0B0O0 Y 0P0A0P0O0Y0U0U0N0A0E0T 0E0W0V0C0E0P0A0U0O0M0S0E0W0P0U0E0Q0O0U0W0P0A0U0P0V0U0E0Y0A0N0E0S0Y 0U0U0P0W0Q0O0E

L-com
an INFINIT@ brand

ί €Pa @Uc^ΛcY ^•σr αEηa/α[[E]U" α^AηEΑ P[;ααB α[c!Eα CαEΓ I I ANUOE U@}^AηE €Eη F E G I A F α I I E I G E J H I

Y ^α•α^K^... E E E { E } A

OE αηO •d { ^U^iα^O SE E { E } {

UZO CE I HG F OUWOPAESQ QOT PUE POUOFGE E SA UX CE

VP000UT T U09W0A/C0PPU0U0Y0A0U0Z0Y 0E0A 0U0D0Y0U0N0O0Z0UT A/P0A0P0Q0O0A0N0S0U0A0P0A0D0U0C0B0O0 Y 0P0A0P0O0Y0U0U0N0A0E0T 0E0W0V0C0E0P0A0U0O0M0S0E0W0P0U0E0Q0O0U0W0P0A0U0P0V0U0E0Y0A0N0E0S0Y 0U0U0P0W0Q0O0E

VP000UT T U09W0A/C0PPU0U0Y0A0U0Z0Y 0E0A 0U0D0Y0U0N0O0Z0UT A/P0A0P0Q0O0A0N0S0U0A0P0A0D0U0C0B0O0 Y 0P0A0P0O0Y0U0U0N0A0E0T 0E0W0V0C0E0P0A0U0O0M0S0E0W0P0U0E0Q0O0U0W0P0A0U0P0V0U0E0Y0A0N0E0S0Y 0U0U0P0W0Q0O0E

VP000UT T U09W0A/C0PPU0U0Y0A0U0Z0Y 0E0A 0U0D0Y0U0N0O0Z0UT A/P0A0P0Q0O0A0N0S0U0A0P0A0D0U0C0B0O0 Y 0P0A0P0O0Y0U0U0N0A0E0T 0E0W0V0C0E0P0A0U0O0M0S0E0W0P0U0E0Q0O0U0W0P0A0U0P0V0U0E0Y0A0N0E0S0Y 0U0U0P0W0Q0O0E