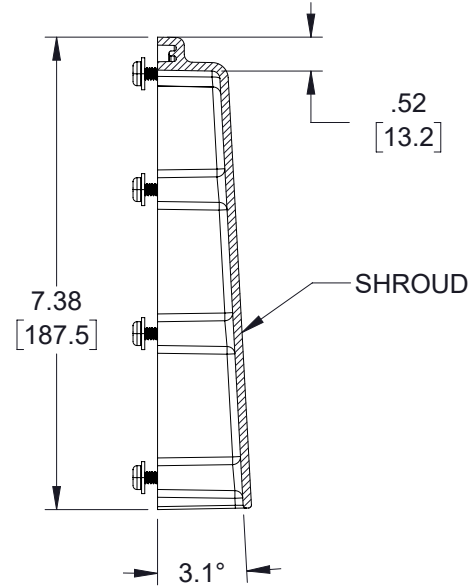
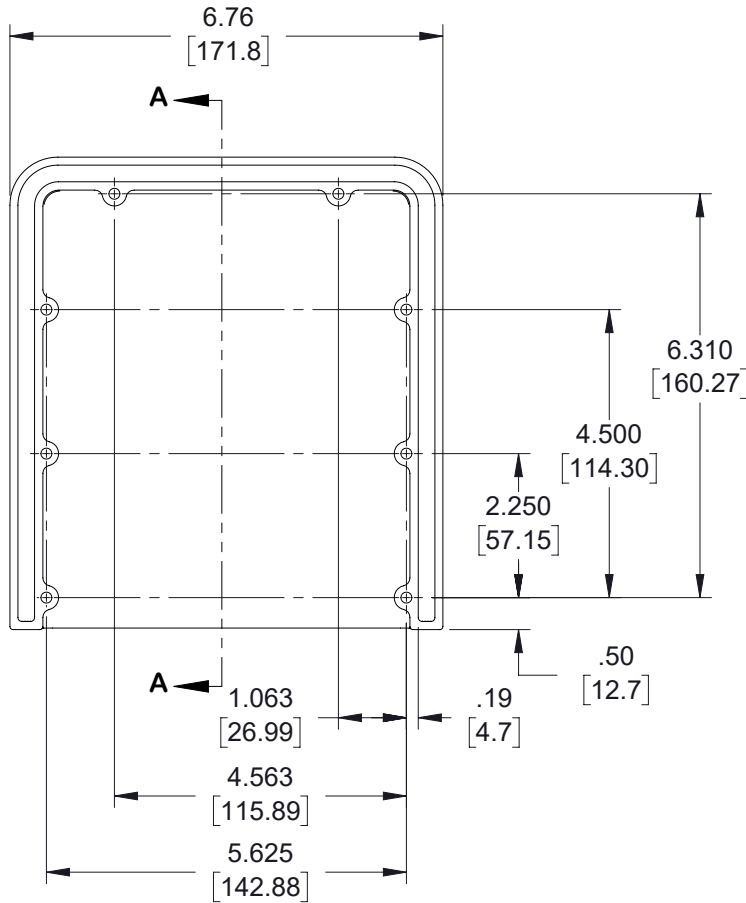


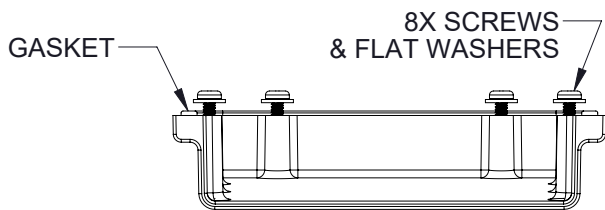
THE INFORMATION CONTAINED IN THIS DRAWING IS THE SOLE PROPERTY OF L-COM, INC. ANY REPRODUCTION IN PART OR WHOLE WITHOUT THE WRITTEN PERMISSION OF L-COM, INC. IS PROHIBITED.

REVISIONS			
REV	DESCRIPTION	DATE	APPROVED
A	INITIAL RELEASE	11/06/19	MMARTINEZ
B	ECN 10369: ADDED "ALL DIMENSIONS FOR REFERENCE ONLY"	02/14/20	MMARTINEZ




SECTION A-A

**KIT CONTAINS 2:
SHROUD, GASKET,
8X HARDWARE (16 TOTAL)**



ALL DIMENSIONS FOR REFERENCE ONLY

**SHROUD MATERIAL:
POLYCARBONATE (DARK GRAY)**

UNLESS OTHERWISE SPECIFIED, DIMENSIONS ARE IN INCHES [mm] DIMENSIONAL TOLERANCES: .X = ± .1 [2.54] FRACTIONS ± 1/32 .XX = ± .01 [25] ANGLES ± 1° .XXX = ± .005 [13]	APPROVALS	DATE	 an INFINITO brand	50 High Street, West Mill, North Andover, MA 01845 USA. Phone: 1.800.341.5266 1.978.682.6936	
	DRAWN BY DZINN	11/06/19			
	CHECKED BY DFRISIELLO	11/06/19	CATEGORY	ENCLOSURE	
	APPROVED BY MMARTINEZ	11/06/19	PRODUCT DESCRIPTION	Fan Shroud Kit - 2pcs (Includes gasket and screws)	
THIRD-ANGLE PROJECTION	COLOR VARIATIONS MAY OCCUR	SIZE A	CAGE CODE 43321	DWG. NO. NBPC-V2	REV. B
		SCALE: NONE	CAD FILE: NBPC-V2.SLDDRW		SHEET 1 OF 1