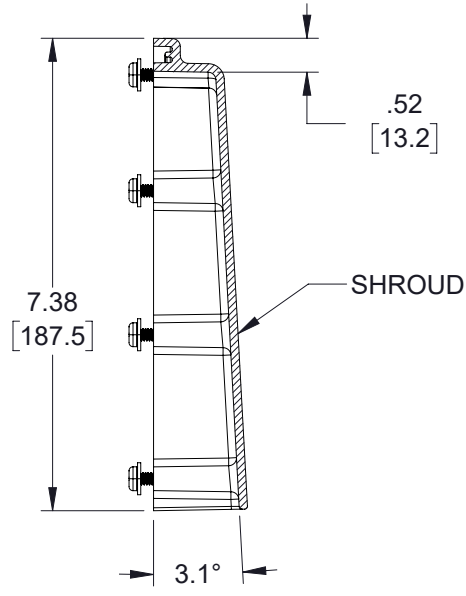
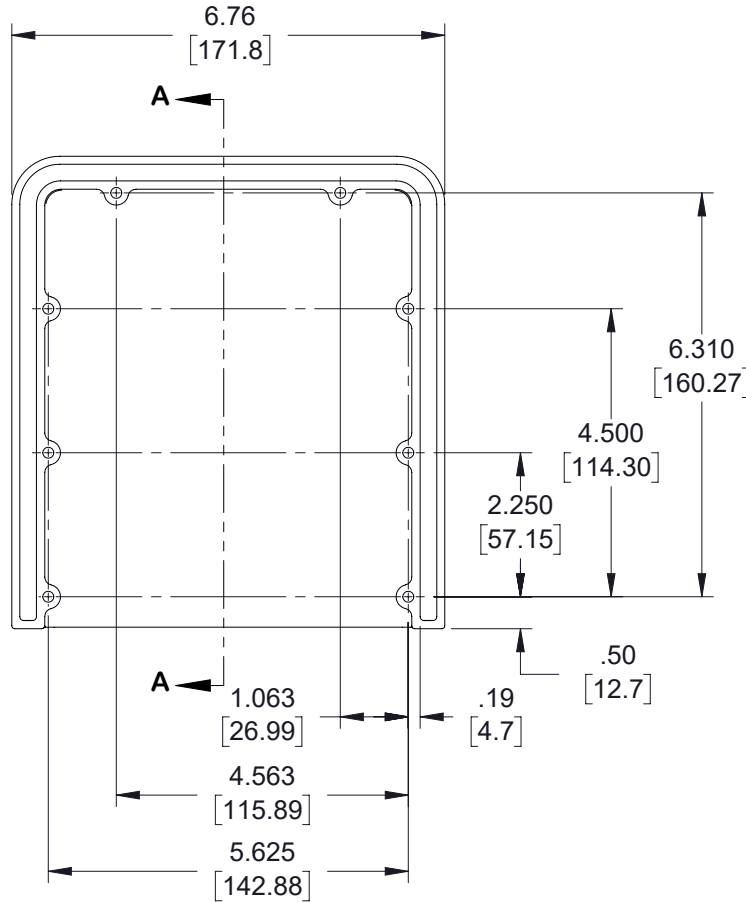


THE INFORMATION CONTAINED IN THIS DRAWING IS THE SOLE PROPERTY OF L-COM, INC. ANY REPRODUCTION IN PART OR WHOLE WITHOUT THE WRITTEN PERMISSION OF L-COM, INC. IS PROHIBITED.

REVISIONS			
REV	DESCRIPTION	DATE	APPROVED
A	INITIAL RELEASE	11/06/2019	MMARTINEZ
B	ECN 10369: ADDED "ALL DIMENSIONS FOR REFERENCE ONLY"	02/13/20	MMARTINEZ

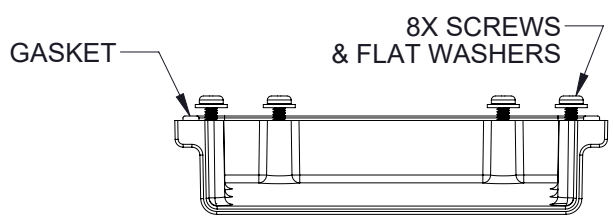
D
C
B
A




SECTION A-A

ALL DIMENSIONS FOR REFERENCE ONLY

KIT CONTAINS 1:
SHROUD, GASKET, 8X HARDWARE



SHROUD MATERIAL:
POLYCARBONATE (DARK GRAY)

UNLESS OTHERWISE SPECIFIED, DIMENSIONS ARE IN INCHES [mm] DIMENSIONAL TOLERANCES: .X = ± .1 [2.54] FRACTIONS ± 1/32 .XX = ± .01 [25] ANGLES ± 1° .XXX = ± .005 [13]	APPROVALS	DATE	 an INFINIT® brand	50 High Street, West Mill, North Andover, MA 01845 USA. Phone: 1.800.341.5266 1.978.682.6936	
	DRAWN BY DZINN	11/06/2019			
	CHECKED BY DFRISIELLO	11/06/2019	CATEGORY	ENCLOSURE	
	APPROVED BY MMARTINEZ	11/06/2019	PRODUCT DESCRIPTION	Fan Shroud Kit - 1pc (Includes gasket and screws)	
THIRD-ANGLE PROJECTION	COLOR VARIATIONS MAY OCCUR	SIZE A	CAGE CODE 43321	DWG. NO. NBPC-V1	REV. B
		SCALE: NONE	CAD FILE: NBPC-V1.SLDDRW		SHEET 1 OF 1