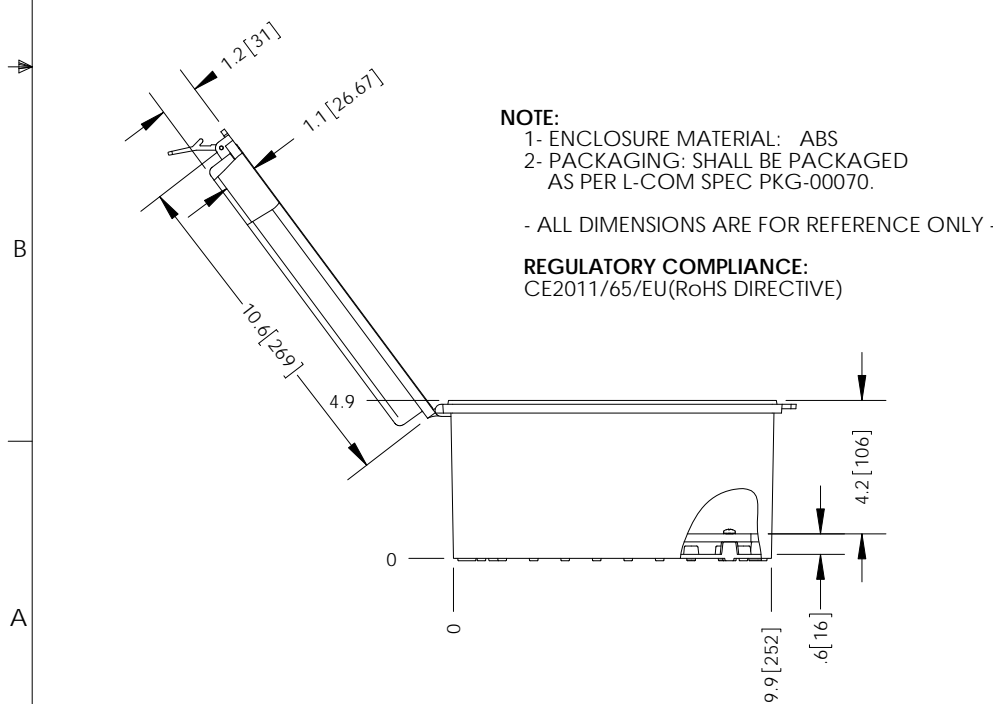
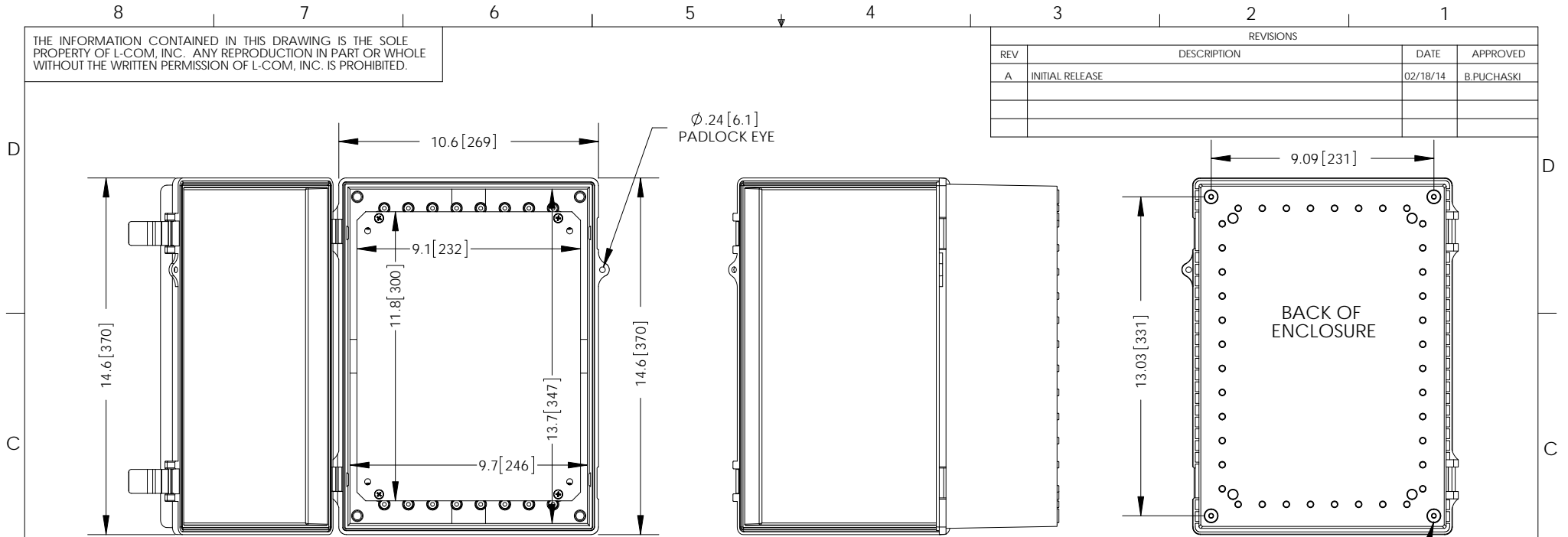
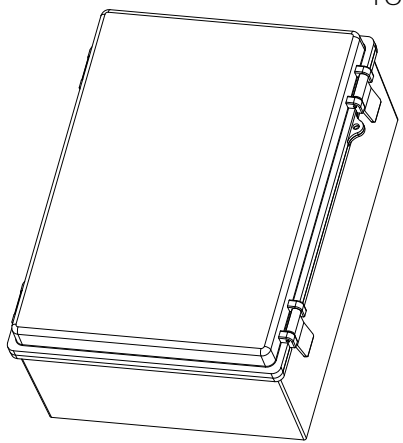


THE INFORMATION CONTAINED IN THIS DRAWING IS THE SOLE PROPERTY OF L-COM, INC. ANY REPRODUCTION IN PART OR WHOLE WITHOUT THE WRITTEN PERMISSION OF L-COM, INC. IS PROHIBITED.

REVISIONS			
REV	DESCRIPTION	DATE	APPROVED
A	INITIAL RELEASE	02/18/14	B.PUCHASKI



NOTE:
 1- ENCLOSURE MATERIAL: ABS
 2- PACKAGING: SHALL BE PACKAGED AS PER L-COM SPEC PKG-00070.
 - ALL DIMENSIONS ARE FOR REFERENCE ONLY -
REGULATORY COMPLIANCE:
 CE2011/65/EU(RoHS DIRECTIVE)



M5X0.8 THREADED INSERT FOR MOUNTING (4X)

UNLESS OTHERWISE SPECIFIED, DIMENSIONS ARE IN INCHES [mm] DIMENSIONAL TOLERANCES: .X = ±.1 [2.54] .XX = ±.01 [.25] .XXX = ±.005 [.13] ANGULAR TOLERANCES: ALL = ± 1°	APPROVALS	DATE		45 BEECHWOOD DRIVE NORTH ANDOVER, MA 01845	
	DRAWN BY B.PUCHASKI	02/18/14			
	CHECKED BY P.PESA	02/18/14	CATEGORY ENCLOSURE		
	APPROVED BY P.PESA	02/18/14	PRODUCT DESCRIPTION NEMA ENCLOSURE 14 X 10 X 6 WEATHERPROOF W/BLANK NON-METALIC PLATE		
PROJECTION 	COLOR VARIATIONS MAY OCCUR	SIZE A	FSCM NO. 43321	DWG. NO. NBE141006-KIT01	REV. A
SCALE: NONE		CAD FILE: NBE141006-KIT01.SLDDRW		SHEET 1 OF 1	