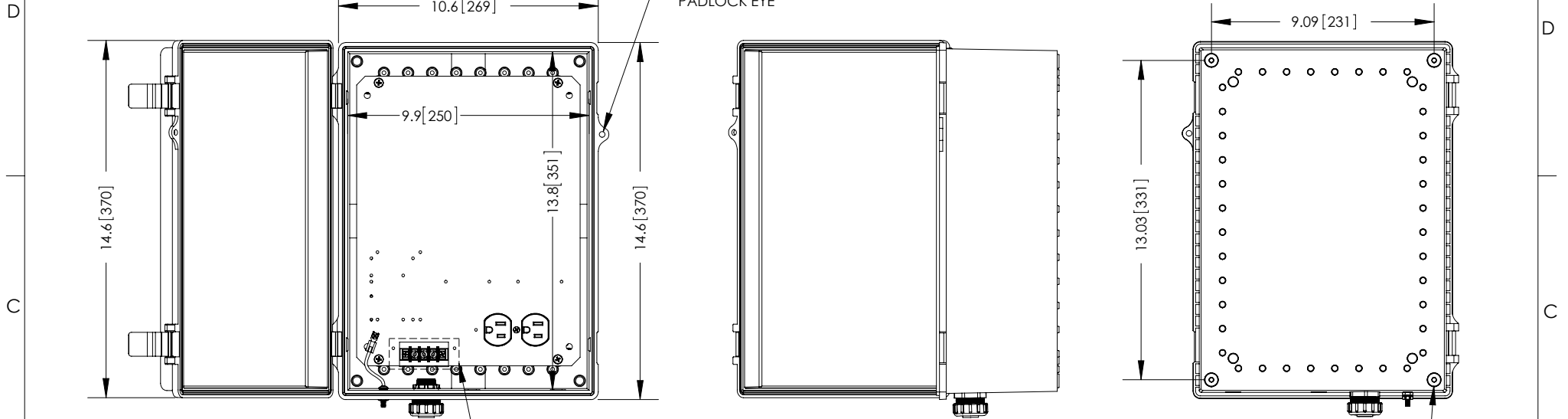
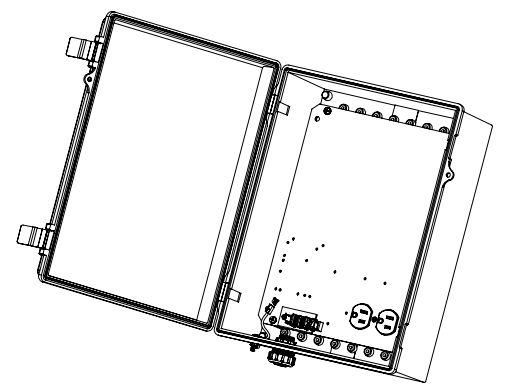
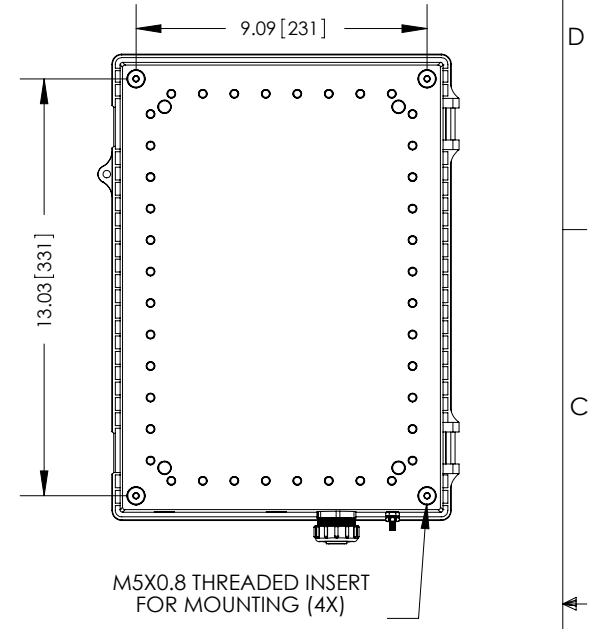
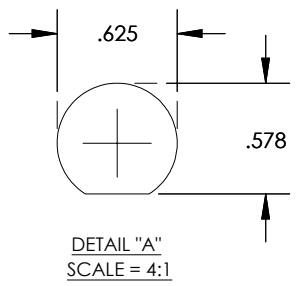
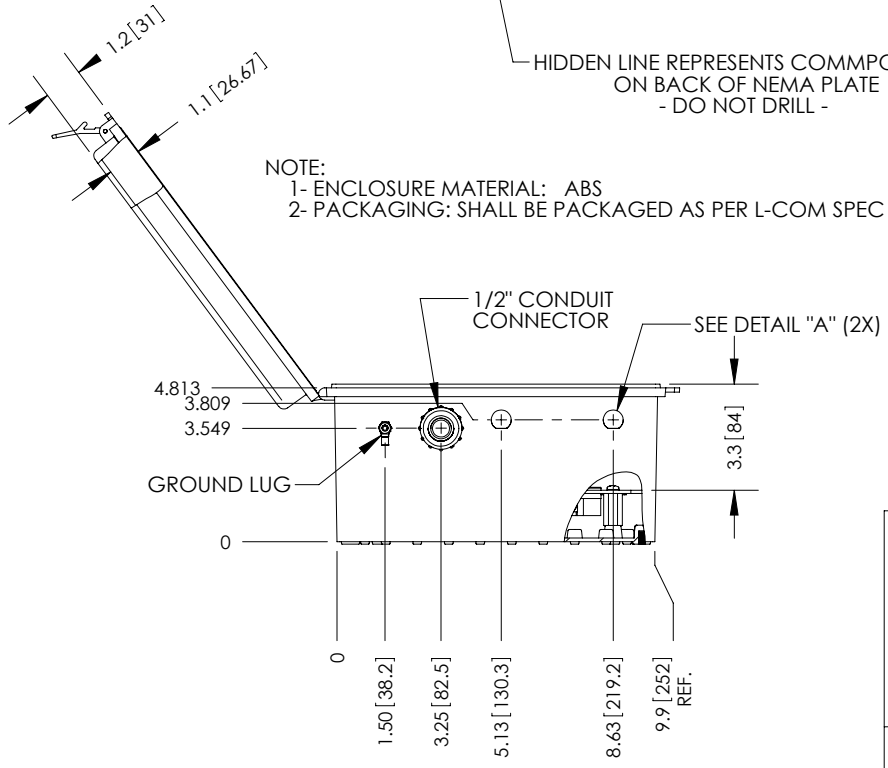


THE INFORMATION CONTAINED IN THIS DRAWING IS THE SOLE PROPERTY OF L-COM, INC. ANY REPRODUCTION IN PART OR WHOLE WITHOUT THE WRITTEN PERMISSION OF L-COM, INC. IS PROHIBITED.

REVISIONS			
REV	DESCRIPTION	DATE	APPROVED
A	INITIAL RELEASE	09/19/12	D.GRIFFIN
-	-	-	-
-	-	-	-



NOTE:
 1- ENCLOSURE MATERIAL: ABS
 2- PACKAGING: SHALL BE PACKAGED AS PER L-COM SPEC PKG-00070



RoHS Compliant ✓

UNLESS OTHERWISE SPECIFIED, DIMENSIONS ARE IN INCHES [mm] DIMENSIONAL TOLERANCES: .X = ±.1 .XX = ±.01 .XXX = ±.005 ANGULAR TOLERANCES: ALL = ± 1° PROJECTION	APPROVALS B.PUCHASKI CHECKED BY P.PESA APPROVED BY P.PESA	DATE 09/19/12 09/19/12 09/19/12		45 BEECHWOOD DRIVE NORTH ANDOVER, MA 01845
	CATEGORY ENCLOSURE			PRODUCT DESCRIPTION NEMA ENCLOSURE 14 x 10 x 6 WEATHERPROOF 120VAC
	CONFIGURATION DETAILS OF UNDIMENSIONED FEATURES MAY VARY		SIZE A FSCM NO. 43321 DWG. NO. NBE141006-100	
	COLOR VARIATIONS MAY OCCUR		SCALE: NONE CAD FILE: NBE141006-100.SLDDRW	