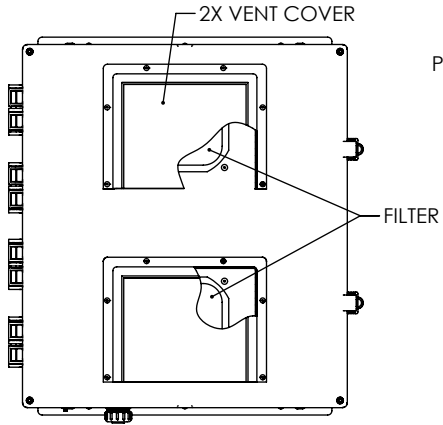
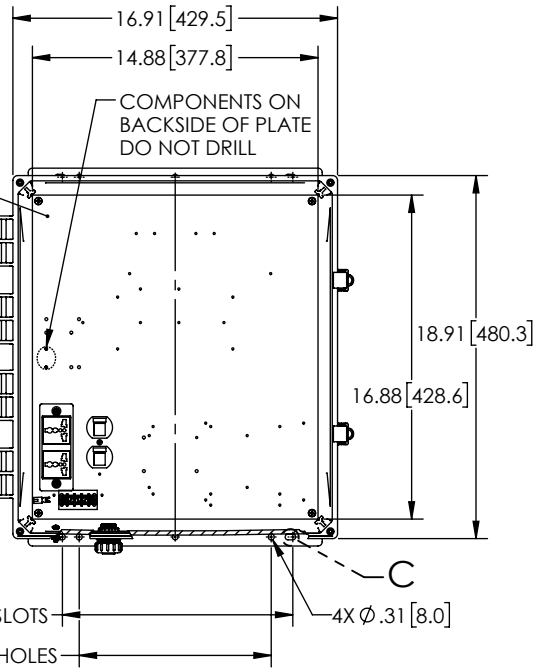


| REVISIONS |                 |            |           |
|-----------|-----------------|------------|-----------|
| REV.      | DESCRIPTION     | DATE       | APPROVED  |
| A         | INITIAL RELEASE | 02/10/2020 | MMARTINEZ |

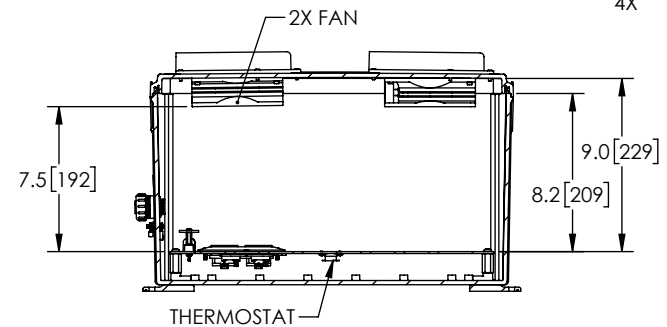
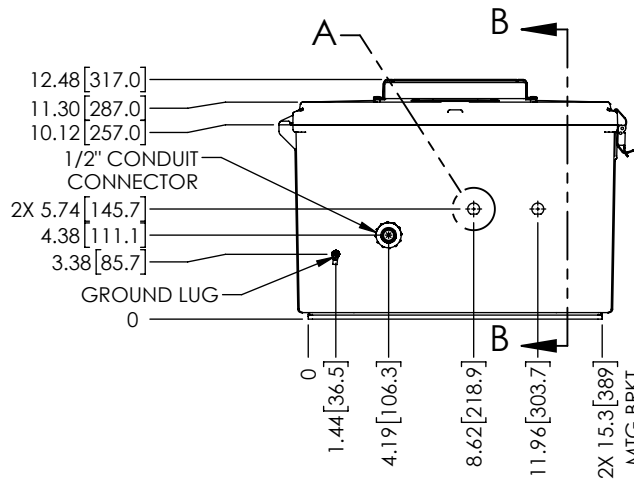
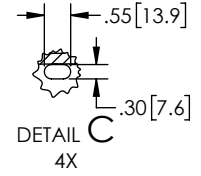
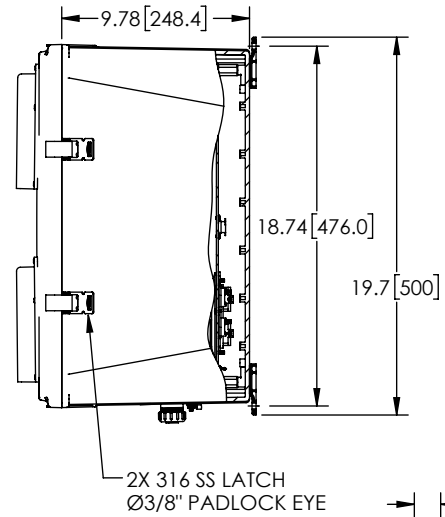


VIEW D-D

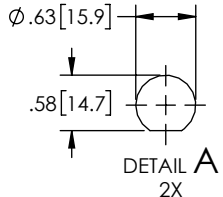
2X 12.00 [304.8] MTG SLOTS  
 2X 10.00 [254.0] MTG HOLES  
 4X Ø.31 [8.0]



LID NOT SHOWN IN THIS VIEW FOR CLARITY



SECTION B-B



THESE COMMODITIES, TECHNOLOGY OR SOFTWARE WERE EXPORTED FROM THE UNITED STATES IN ACCORDANCE WITH THE EXPORT ADMINISTRATION REGULATIONS. DIVERSION CONTRARY TO U.S. LAW PROHIBITED.

UNLESS OTHERWISE SPECIFIED LEADING DIMENSIONS ARE INCHES DIMENSIONS IN [ ] ARE MILLIMETERS

TOLERANCES:  
 X = ±.2 [5.08] FRACTIONS ± 1/32  
 .XX = ±.02 [.51] ANGLES ± 1°  
 XXX = ±.005 [.13]

CABLE LENGTH (L) TOLERANCES:  
 L ≤ 12 [305] = +1 [25] / -0  
 12 [305] < L ≤ 60 [1524] = +2 [51] / -0  
 60 [1524] < L ≤ 120 [3048] = +4 [102] / -0  
 120 [3048] < L ≤ 300 [7620] = +6 [152] / -0  
 300 [7620] < L = +5%L / -0

ALL DIMENSIONS SHOWN ARE FOR REFERENCE ONLY.

**L-com**  
 an INFINIT<sup>®</sup> brand

50 High Street, West Mill, 3rd Floor, Suite #30  
 North Andover, MA 01845 USA.  
 Phone: 1.800.341.5266 | 1.978.682.6936  
 Fax: 1.978.689.9484  
 Website: www.L-com.com  
 E-mail: CustomerService@L-com.com

|      |           |          |                 |     |
|------|-----------|----------|-----------------|-----|
| SIZE | CAGE CODE | DRAWN BY | ITEM NO.        | REV |
| A    | 43321     | DZINN    | NBBPC181610-E0F | A   |

THIRD-ANGLE PROJECTION

THE INFORMATION AND DESIGN IN THIS DOCUMENT IS THE PROPERTY OF L-COM GLOBAL CONNECTIVITY. ALL RIGHTS RESERVED.

|       |    |
|-------|----|
| SHEET | OF |
| 1     | 1  |

SCALE N/A