

6

5

4

3

2

1

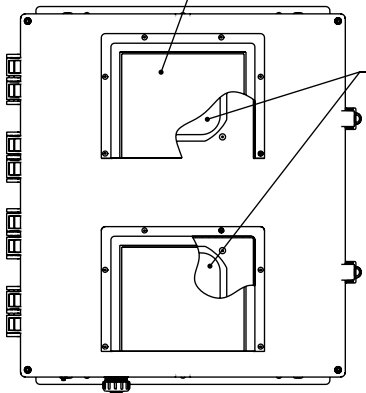
| REVISION |      |                 |            |            |             |
|----------|------|-----------------|------------|------------|-------------|
| ZONE     | REV. | DESCRIPTION     | DATE       | CHANGED BY | APPROVED BY |
|          | A    | INITIAL RELEASE | 07/22/2023 | BPUCHASKI  | MMARTINEZ   |

2X VENT COVER

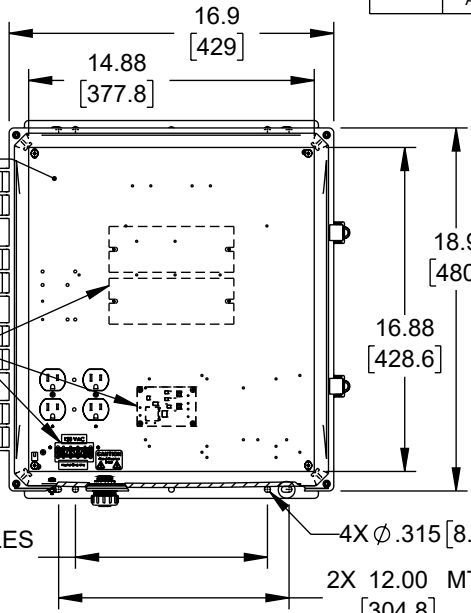
FILTER

PLATE

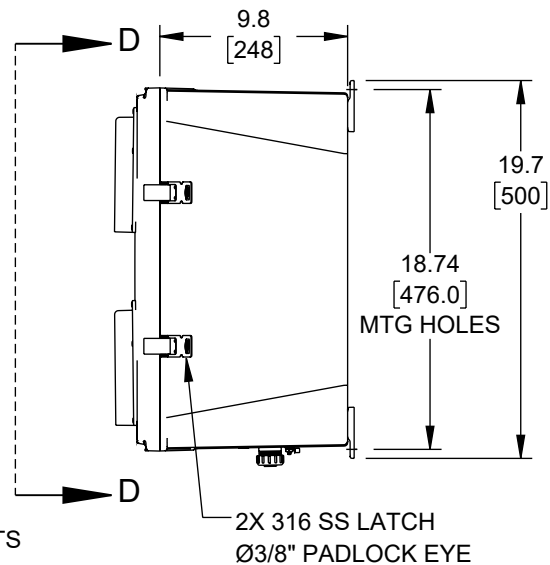
COMPONENTS ON BACKSIDE OF PLATE DO NOT DRILL



VIEW D-D



LID NOT SHOWN IN THIS VIEW FOR CLARITY

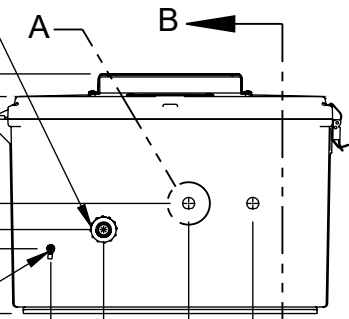


1/2" CONDUIT CONNECTOR

12.5 [317]  
11.3 [287]  
10.1 [257]

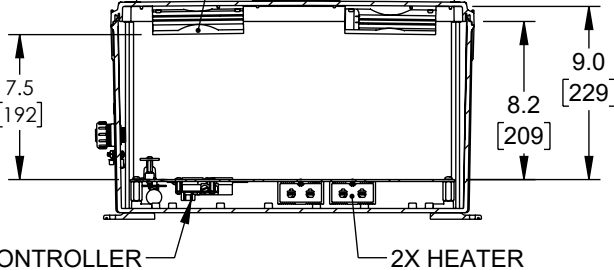
2X 5.735 [145.68]  
4.375 [111.13]  
3.375 [85.73]

GROUND LUG

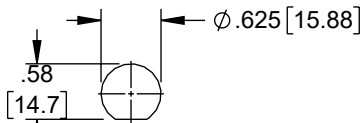


DETAIL A 2X

2X FAN



SECTION B-B



UNLESS OTHERWISE SPECIFIED LEADING DIMENSIONS ARE INCHES DIMENSIONS IN [ ] ARE MILLIMETERS

TOLERANCES:

X = ±.2 [5] FRACTIONS  
 .XX = ±.02 [0.5] ± 1/32  
 .XXX = ±.005 [0.13] ANGLES ± 1°

CABLE LENGTH TOLERANCES:

≤12 [305] = +1 [25] / -0  
 >12 [305] ≤ 60 [1524] = +2 [51] / -0  
 >60 [1524] ≤ 120 [3048] = +4 [102] / -0  
 >120 [3048] ≤ 300 [7620] = +6 [152] / -0  
 >300 [7620] = +5% / -0

ALL DIMENSIONS ARE FOR REFERENCE ONLY AND SUBJECT TO CHANGE WITHOUT NOTICE. UN-DIMENSIONED/NON-CRITICAL FEATURES MAY VARY IN SIZE AND LOCATION. COLORS MAY VARY.

**L-com**  
 an INFINIT® brand  
 Website: www.L-com.com  
 Phone: 1.800.341.5266 | 1.978.682.6936

INTERPRET ALL DIMENSIONS AND TOLERANCES PER ASME Y14.5

SCALE NONE SHEET 1 OF 1

DESCRIPTION  
**NEMA ENCLOSURE, POLYCARBONATE, 18X16X10" WEATHERPROOF 120VAC W/HEATER, FANS SOLID STATE CONTROLLER, BLACK - UL LISTED**

| SIZE | CAGE CODE | DRAWN BY  | ITEM NO.            | REV |
|------|-----------|-----------|---------------------|-----|
| A    | 43321     | BPUCHASKI | NBBPC181610-1HFS-UL | A   |

THE INFORMATION CONTAINED IN THIS DRAWING IS THE SOLE PROPERTY OF INFINITE ELECTRONICS, INC. ANY REPRODUCTION IN PART OR WHOLE WITHOUT THE WRITTEN PERMISSION OF INFINITE ELECTRONICS, INC. IS PROHIBITED. THESE COMMODITIES, TECHNOLOGY OR SOFTWARE WERE EXPORTED FROM THE UNITED STATES IN ACCORDANCE WITH THE EXPORT ADMINISTRATION REGULATIONS. DIVERSION CONTRARY TO U.S. LAW PROHIBITED.

6

5

4

3

2

1