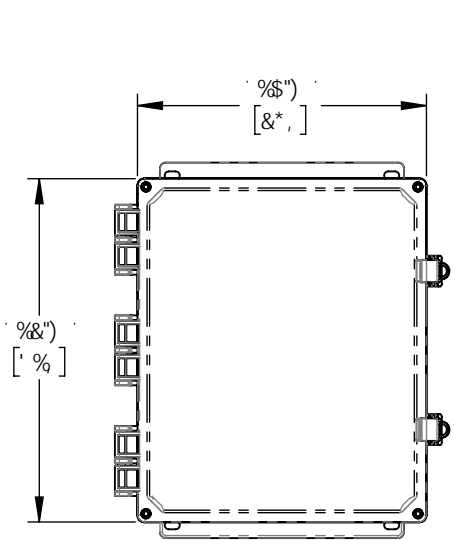
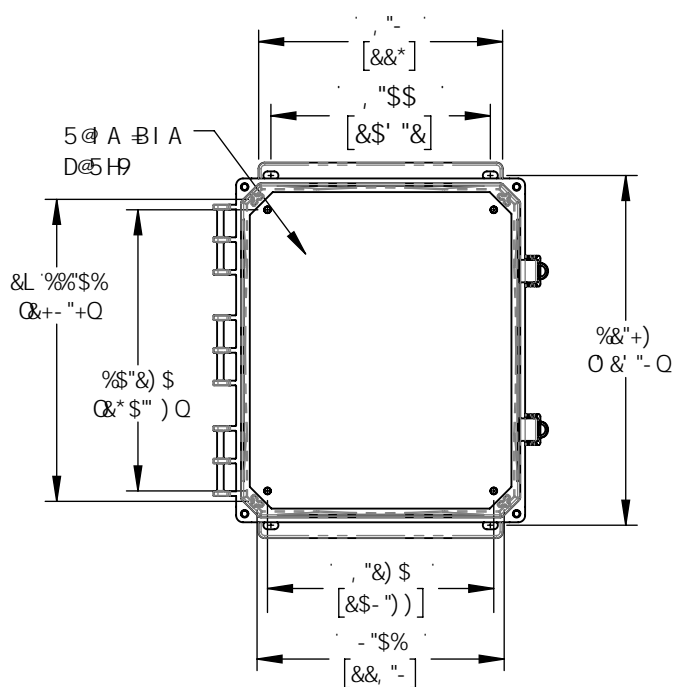


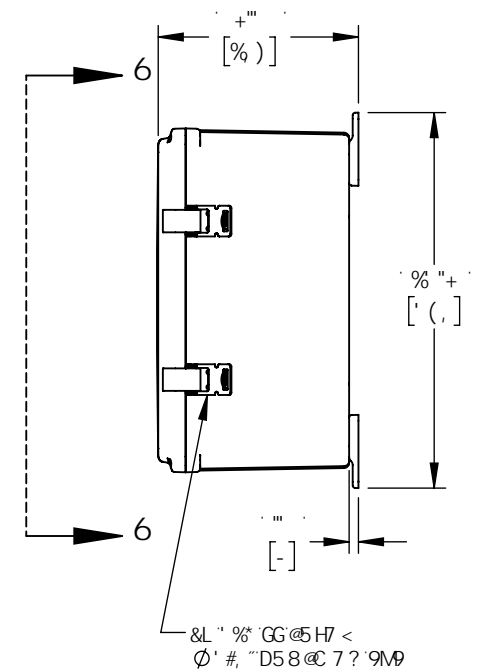
F9J -GC BG			
F9J "	8 9G7 F-DHC B	8 5HP	5 DDFC J 98
5	B #15 @F9@95 G9	\$, #& #8%	A A 5FHB 9N



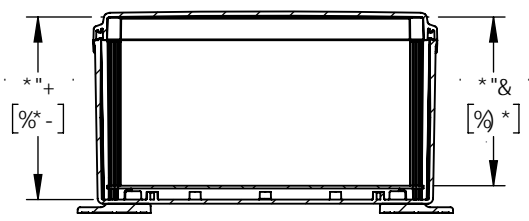
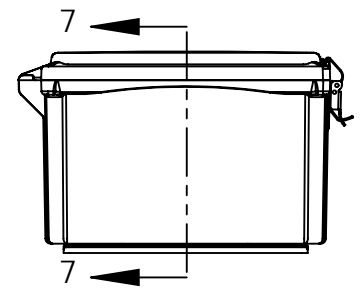
J 9K '616



@8 BC HG<CK B
: CF '7 @5F #M



&L " %* GG @5H7 <
Ø' #, "D5 8 @C 7? '9M9



G97 HC B '7!7

VP000UT T U000U@A/C0PPU0U0Y0U0U0U0Y 0U0Y 0U00Y0U0U00A0U0T A/P0A0P000A0V00U0A00U00000
Y 0P0A/P00Y0U0U0U0U00T 0U0V0U00/P0A000A0000U0P0U00000U0U0P0U0P0U00Y0U0A0U0000Y0U0U0P0U00000

VP000UT T U000U@A/C0PPU0U0Y0U0U0U0Y 0U0Y 0U00Y0U0U00A0U0T A/P0A0P000A0V00U0A00U00000
Y 0P0A/P00Y0U0U0U0U00T 0U0V0U00/P0A000A0000U0P0U00000U0U0P0U0P0U00Y0U0A0U0000Y0U0U0P0U00000

L-com
an INFINIT@ brand

ι ε ρ α @ U c ^ ^ d y ^ o t a i e n a / z [i e u ^ a n h e a
P [i c o b a [c ! e t c e f i i i a n u o e
U } ^ k f e e e h f e d i a f e i i e i c e j h
o e k f e i i e i j b i i
Y ^ a ^ z k ^ e s e i { e i { A
O e a h o ^ d { ^ i u ^ i c a o s e i { e i {

VP000UT T U000U@A/C0PPU0U0Y0U0U0U0Y 0U0Y 0U00Y0U0U00A0U0T A/P0A0P000A0V00U0A00U00000
Y 0P0A/P00Y0U0U0U0U00T 0U0V0U00/P0A000A0000U0P0U00000U0U0P0U0P0U00Y0U0A0U0000Y0U0U0P0U00000

VP000UT T U000U@A/C0PPU0U0Y0U0U0U0Y 0U0Y 0U00Y0U0U00A0U0T A/P0A0P000A0V00U0A00U00000
Y 0P0A/P00Y0U0U0U0U00T 0U0V0U00/P0A000A0000U0P0U00000U0U0P0U0P0U00Y0U0A0U0000Y0U0U0P0U00000