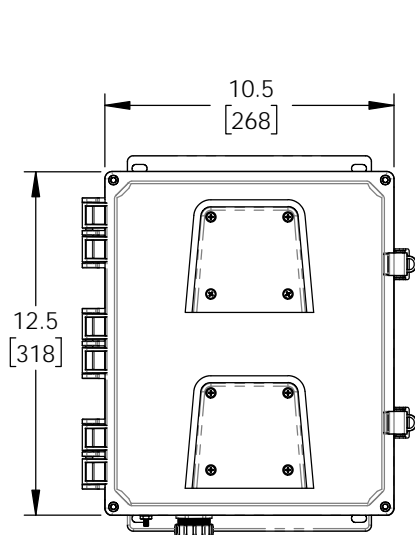
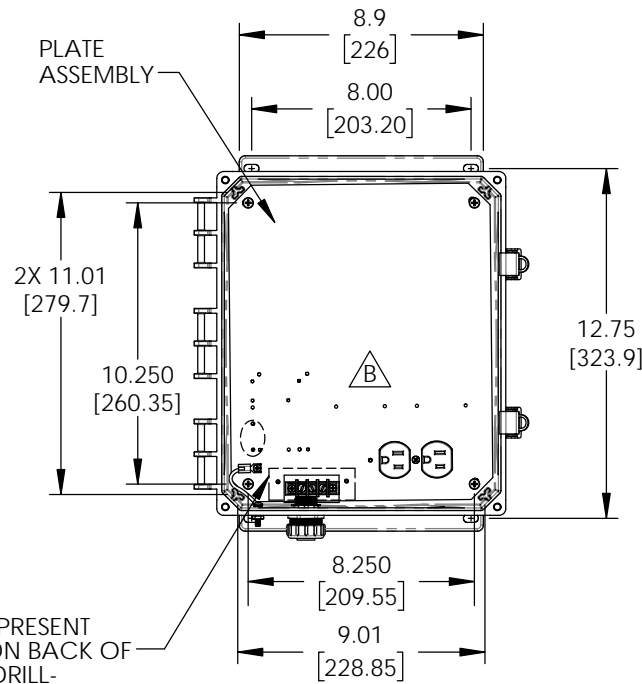


| REVISIONS |             |          |           |
|-----------|-------------|----------|-----------|
| REV.      | DESCRIPTION | DATE     | APPROVED  |
| B         | ECN 11643   | 01/27/22 | MMARTINEZ |

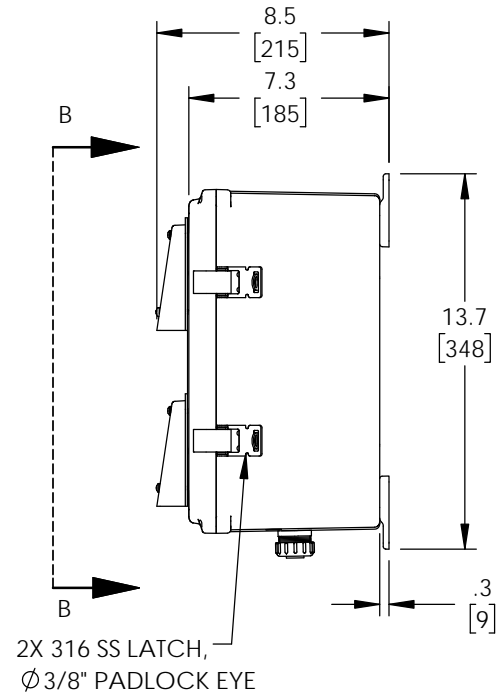


VIEW B-B

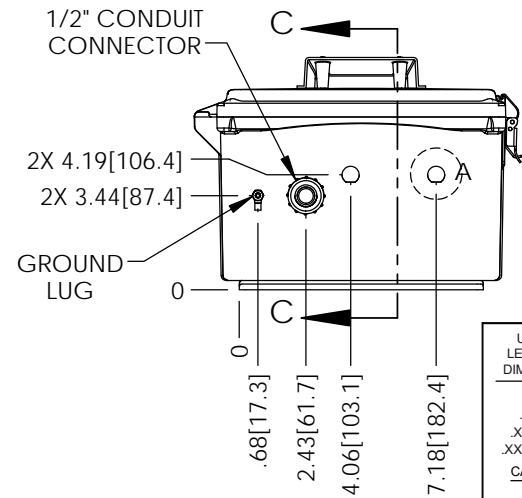
HIDDEN LINES REPRESENT COMPONENTS ON BACK OF PLATE - DO NOT DRILL-



LID NOT SHOWN FOR CLARITY

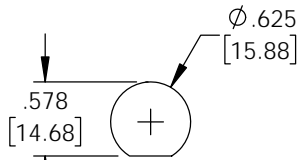


2X 316 SS LATCH,  $\phi$  3/8" PADLOCK EYE

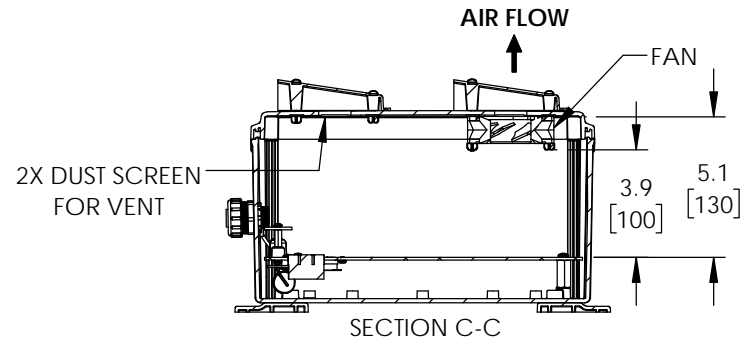


GROUND LUG

1/2" CONDUIT CONNECTOR



DETAIL A



2X DUST SCREEN FOR VENT

AIR FLOW

FAN

SECTION C-C

UNLESS OTHERWISE SPECIFIED LEADING DIMENSIONS ARE INCHES DIMENSIONS IN [ ] ARE MILLIMETERS

**TOLERANCES:**

|                       |                  |
|-----------------------|------------------|
| X = ± .02 [ .51 ]     | FRACTIONS ± 1/32 |
| .XX = ± .02 [ .51 ]   | ANGLES ± 1°      |
| .XXX = ± .005 [ .13 ] |                  |

**CABLE LENGTH (L) TOLERANCES:**

|   |
|---|
| L ≤ 12 [305] = +1 [25] / -0                 |
| 12 [305] < L ≤ 60 [1524] = +2 [51] / -0     |
| 60 [1524] < L ≤ 120 [3048] = +4 [102] / -0  |
| 120 [3048] < L ≤ 300 [7620] = +6 [152] / -0 |
| 300 [7620] < L = +5%L / -0                  |

ALL DIMENSIONS SHOWN ARE FOR REFERENCE ONLY.



50 High Street, West Mill, 3rd Floor, Suite #30  
 North Andover, MA 01845 USA.  
 Phone: 1.800.341.5266 | 1.978.682.6936  
 Fax: 1.978.689.9484  
 Website: www.L-com.com  
 E-mail: CustomerService@L-com.com

THIRD-ANGLE PROJECTION

THE INFORMATION AND DESIGN IN THIS DOCUMENT IS THE PROPERTY OF L-COM GLOBAL CONNECTIVITY. ALL RIGHTS RESERVED.

SHEET 1 OF 1

SCALE N/A

THESE COMMODITIES, TECHNOLOGY OR SOFTWARE WERE EXPORTED FROM THE UNITED STATES IN ACCORDANCE WITH THE EXPORT ADMINISTRATION REGULATIONS. DIVERSION CONTRARY TO U.S. LAW PROHIBITED.

|           |                    |                       |                               |          |
|-----------|--------------------|-----------------------|-------------------------------|----------|
| SIZE<br>A | CAGE CODE<br>43321 | DRAWN BY<br>bpuchaski | ITEM NO.<br>NBBPC121006-10F-1 | REV<br>B |
|-----------|--------------------|-----------------------|-------------------------------|----------|