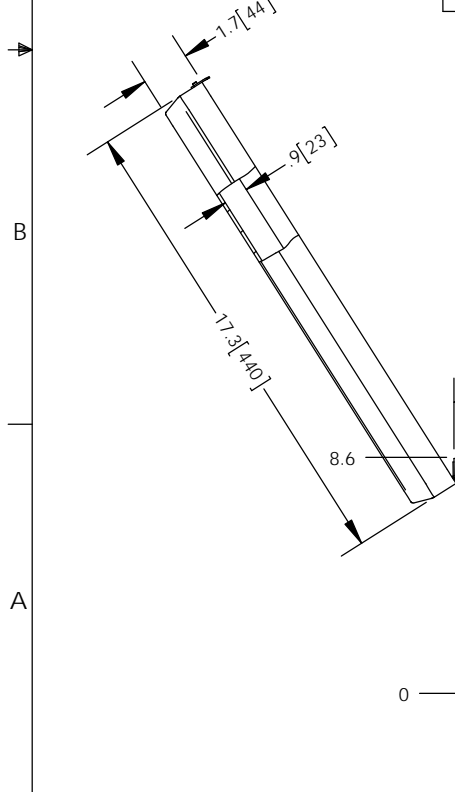
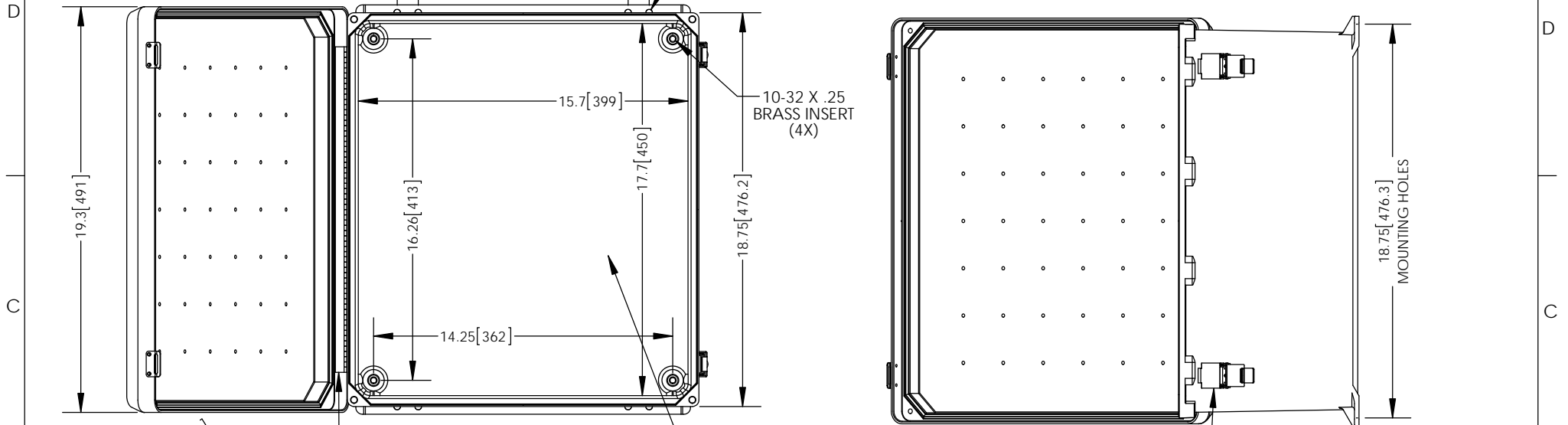


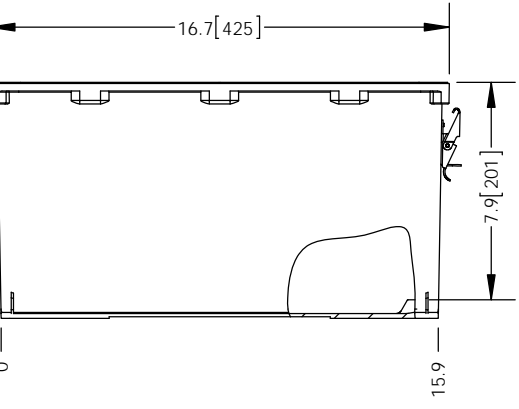
THE INFORMATION CONTAINED IN THIS DRAWING IS THE SOLE PROPERTY OF L-COM, INC. ANY REPRODUCTION IN PART OR WHOLE WITHOUT THE WRITTEN PERMISSION OF L-COM, INC. IS PROHIBITED.

REVISIONS			
REV	DESCRIPTION	DATE	APPROVED
A	INITIAL RELEASE	07/10/13	B.PUCHASKI

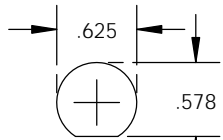


- NOTE:**
- ENCLOSURE MATERIAL-BLACK
HOT MOLDED FIBERGLASS REINFORCED POLYESTER
 - NEMA RATED TYPE 3, 3R, 3S, 4, 4X, 12 AND 13
PRIOR TO MODIFICATIONS.
 - IEC 529 RATED IP 66 PRIOR TO MODIFICATION.
 - TEMPERATURE RANGE FROM -50 DEG C TO 150 DEG C.
 - SELF EXTINGUISHING AND HALOGEN FREE.
 - CABINETS ARE MAINTENANCE FREE AND CORROSION RESISTANT.
 - SHALL BE PACKAGED AS PER L-COM SPEC PKG-00070
 - ALL DIMENSIONS FOR REFERENCE ONLY

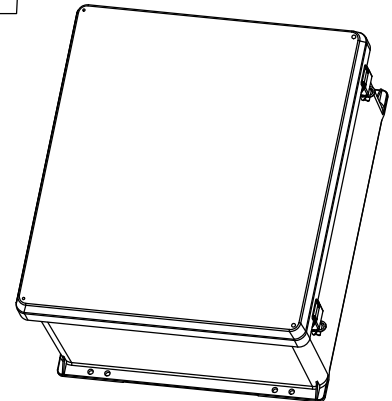
REGULATORY COMPLIANCE:
RoHS, CE



316 SS PADLOCKABLE LATCHES
Ø.375 PADLOCK EYE



DETAIL "A"
SCALE = 4:1



UNLESS OTHERWISE SPECIFIED, DIMENSIONS ARE IN INCHES [mm]	APPROVALS	DATE	 45 BEECHWOOD DRIVE NORTH ANDOVER, MA 01845
	DRAWN BY B.PUCHASKI	07/10/13	
	CHECKED BY P.PESA	07/10/13	
	APPROVED BY P.PESA	07/10/13	
DIMENSIONAL TOLERANCES: .X = ±.1 .XX = ±.01 .XXX = ±.005	CONFIGURATION DETAILS OF UNDIMENSIONED FEATURES MAY VARY		CATEGORY ENCLOSURES
ANGULAR TOLERANCES: ALL = ± 1°	PRODUCT DESCRIPTION NEMA ENCLOSURE 18 X 16 X 8 WEATHERPROOF BLACK		SIZE A FSCM NO. 43321 DWG. NO. NBB181608
PROJECTION	COLOR VARIATIONS MAY OCCUR	SCALE: NONE	CAD FILE: NBB181608.SLDRW SHEET 1 OF 1