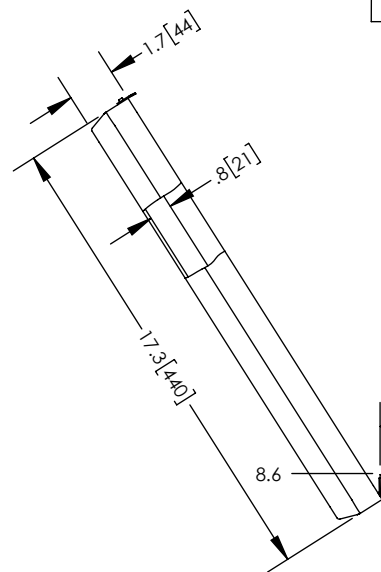
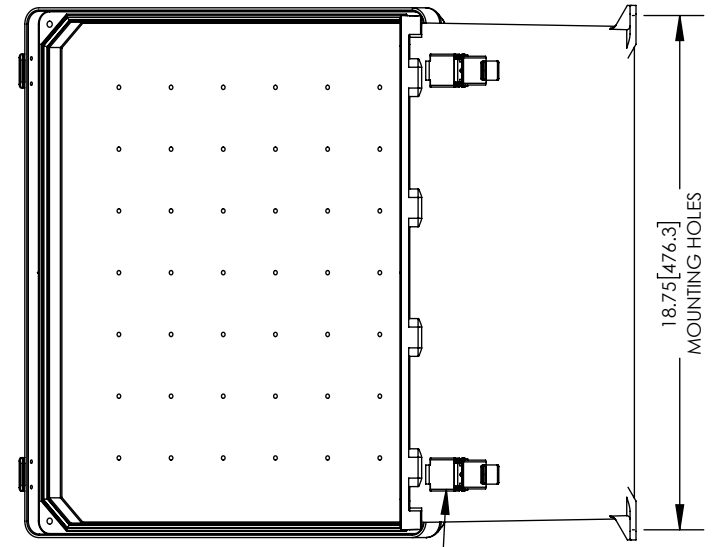
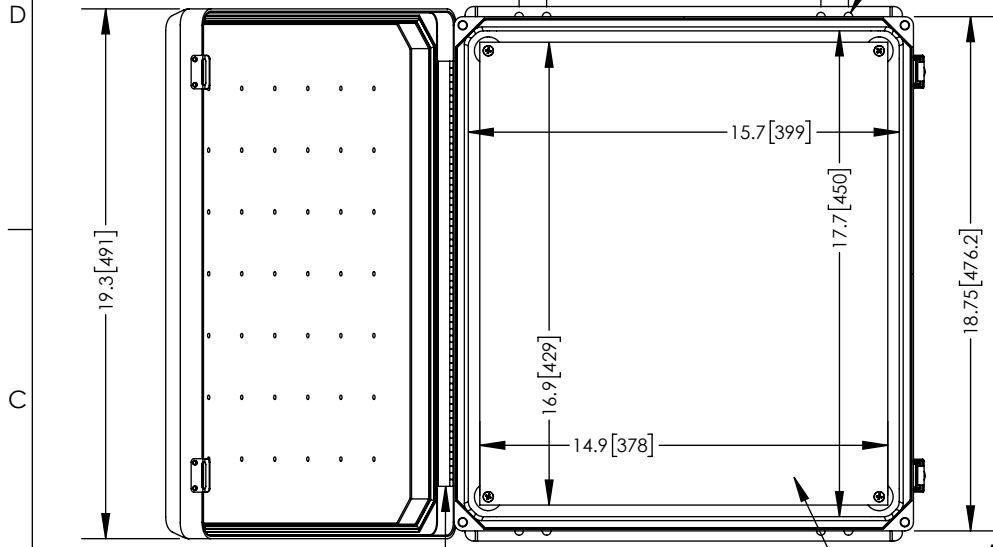


THE INFORMATION CONTAINED IN THIS DRAWING IS THE SOLE PROPERTY OF L-COM, INC. ANY REPRODUCTION IN PART OR WHOLE WITHOUT THE WRITTEN PERMISSION OF L-COM, INC. IS PROHIBITED.

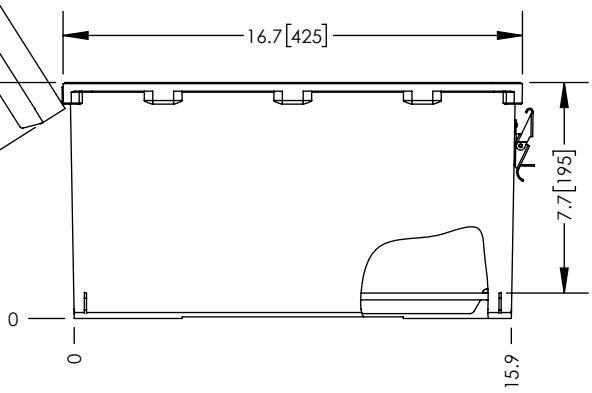
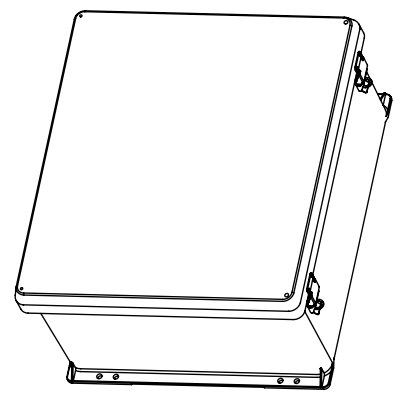
REVISIONS			
REV	DESCRIPTION	DATE	APPROVED
A	INITIAL RELEASE	02/19/2016	BPUCHASKI
B	ECN 9668 ADDED SHIPPED LOOSE W/HARDWARE TO NOTE	01/31/2019	BPUCHASKI



- NOTE:**
- ENCLOSURE MATERIAL-BLACK HOT MOLDED FIBERGLASS REINFORCED POLYESTER
 - NEMA RATED TYPE 3, 3R, 3S, 4, 4X, 12 AND 13 PRIOR TO MODIFICATIONS.
 - ICE 529 RATED IP 66 PRIOR TO MODIFICATION.
 - TEMPERATURE RANGE FROM -50 DEG C TO 150 DEG C.
 - SELF EXTINGUISHING AND HALOGEN FREE.
 - CABINETS ARE MAINTENANCE FREE AND CORROSION RESISTANT.
 - SHALL BE PACKAGED AS PER L-COM SPEC PKG-00070
 - ALL DIMENSIONS FOR REFERENCE ONLY.

304 SS PIANO HINGE
 MOUNTING PLATE SHIPPED LOOSE W/HARDWARE

316 SS PADLOCKABLE LATCHES
 Ø.375 PADLOCK EYE



UNLESS OTHERWISE SPECIFIED, DIMENSIONS ARE IN INCHES [mm] DIMENSIONAL TOLERANCES: .X = ±.1 [2.54] .XX = ±.01 [.25] .XXX = ±.005 [.13] ANGULAR TOLERANCES: ALL = ± 1°	APPROVALS	DATE	50 HIGH STREET NORTH ANDOVER, MA 01845	
	DRAWN BY BPUCHASKI	02/18/2016		
	CHECKED BY K.BURGNER	02/18/2016	CATEGORY	
	APPROVED BY P.PESA	02/18/2016	ENCLOSURE	
PROJECTION 	CONFIGURATION DETAILS OF UNDIMENSIONED FEATURES MAY VARY		PRODUCT DESCRIPTION	
COLOR VARIATIONS MAY OCCUR			NEMA ENCLOSURE 18 X 16 X 8 WEATHERPROOF BLACK W/ BLANK PLATE NON-METALIC	
	SIZE A	FSCM NO. 43321	DWG. NO. NBB181608-KIT01	REV. B
	SCALE: NONE		CAD FILE: NBB181608-KIT01.SLDRW	SHEET 1 OF 1