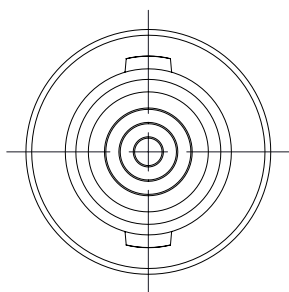
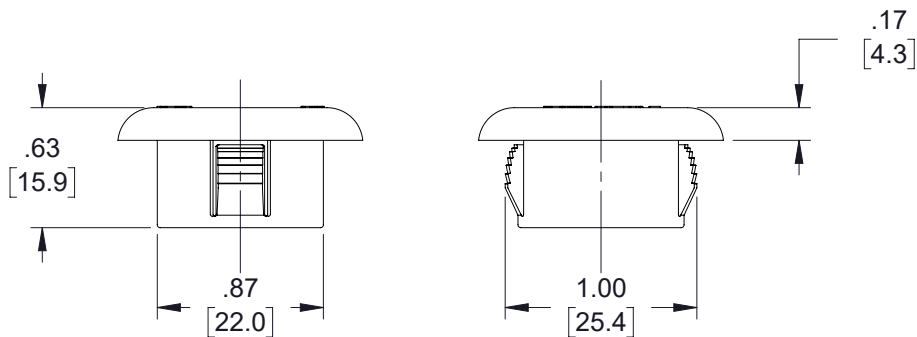
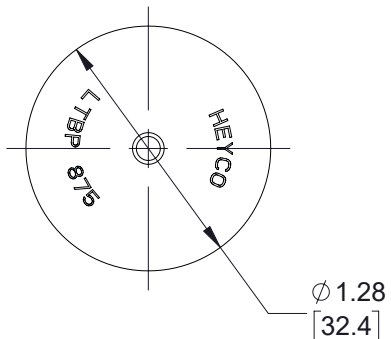

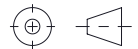


THE INFORMATION CONTAINED IN THIS DRAWING IS THE SOLE PROPERTY OF L-COM, INC. ANY REPRODUCTION IN PART OR WHOLE WITHOUT THE WRITTEN PERMISSION OF L-COM, INC. IS PROHIBITED.

REVISIONS			
REV	DESCRIPTION	DATE	APPROVED
A	INITIAL RELEASE	11/05/19	MMARTINEZ
B	ECN 10369: ADDED "ALL DIMENSIONS FOR REFERENCE ONLY"	02/14/20	MMARTINEZ



ALL DIMENSIONS FOR REFERENCE ONLY

<p>UNLESS OTHERWISE SPECIFIED, DIMENSIONS ARE IN INCHES [mm]</p> <p>DIMENSIONAL TOLERANCES:</p> <p>.X = ± .1 [2.54] FRACTIONS ± 1/32</p> <p>.XX = ± .01 [25] ANGLES ± 1°</p> <p>.XXX = ± .005 [13]</p>	APPROVALS	DATE	 <p>50 High Street, West Mill, North Andover, MA 01845 USA. Phone: 1.800.341.5266 1.978.682.6936</p>
	DRAWN BY DZINN	11/05/19	
	CHECKED BY DFRISIELLO	11/05/19	CATEGORY
	APPROVED BY MMARTINEZ	11/05/19	ENCLOSURE
THIRD-ANGLE PROJECTION	CONFIGURATION DETAILS OF UNDIMENSIONED FEATURES MAY VARY	PRODUCT DESCRIPTION	
	COLOR VARIATIONS MAY OCCUR	Liquid Tight Hole Plug (.130-.450)	
	SIZE A	CAGE CODE 43321	DWG. NO. NB-HPLG-088
	SCALE: NONE	CAD FILE: NB-HPLG-088.SLDDRW	REV. B
			SHEET 1 OF 1