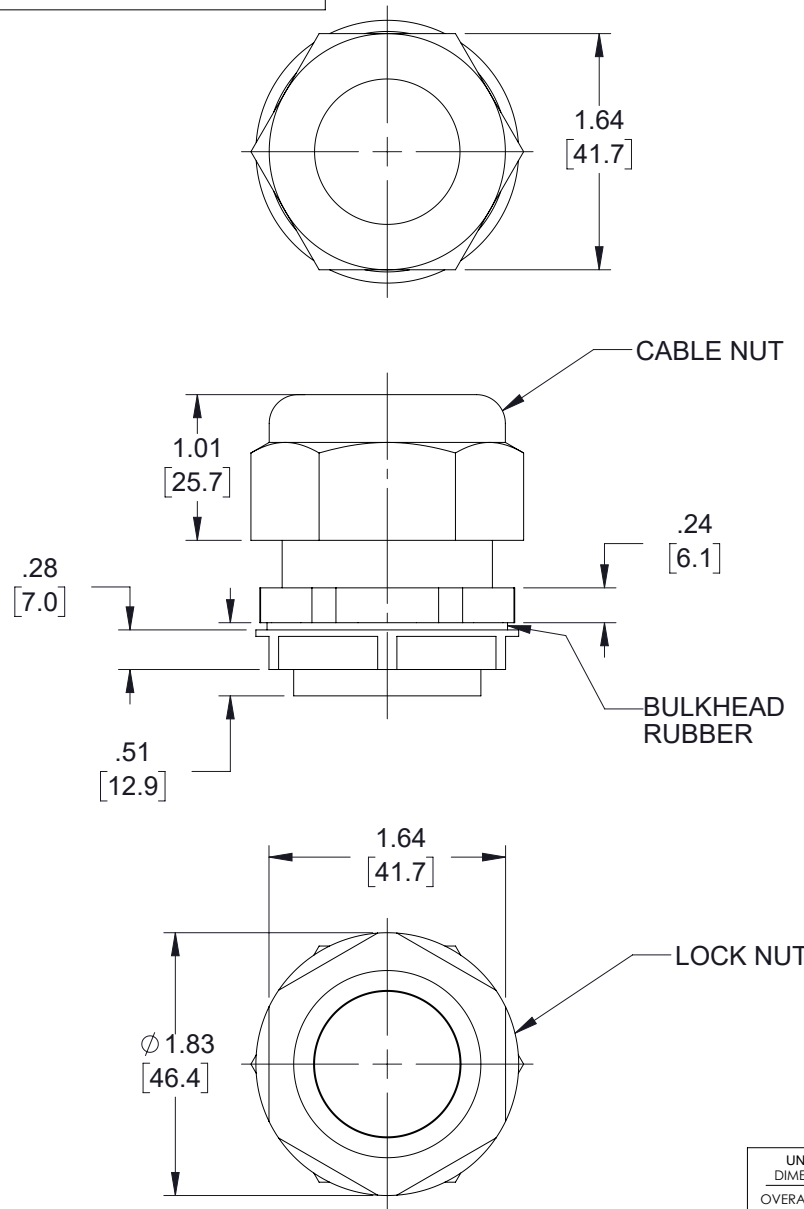

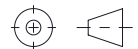


THE INFORMATION CONTAINED IN THIS DRAWING IS THE SOLE PROPERTY OF L-COM, INC. ANY REPRODUCTION IN PART OR WHOLE WITHOUT THE WRITTEN PERMISSION OF L-COM, INC. IS PROHIBITED.

| REVISIONS |  |          |           |
|-----------|--|----------|-----------|
| REV       | DESCRIPTION  | DATE     | APPROVED  |
| A         | INITIAL RELEASE                                      | 11/05/19 | MMARTINEZ |
| B         | ECN 10369: ADDED "ALL DIMENSIONS FOR REFERENCE ONLY" | 02/14/20 | MMARTINEZ |
|           |  |          |           |
|           |  |          |           |



ALL DIMENSIONS FOR REFERENCE ONLY

|   |  |  |   |
|---|--|--|---|
| UNLESS OTHERWISE SPECIFIED,<br>DIMENSIONS ARE IN INCHES [mm]<br><br>OVERALL CABLE LENGTH TOLERANCE:<br>≤12 [305] = +1 [25] / -0<br>>12 [305] ≤60 [1524] = +2 [51] / -0<br>>60 [1524] ≤120 [3048] = +4 [102] / -0<br>>120 [3048] ≤300 [7620] = +6 [152] / -0<br>>300 [7620] = +5% / -0<br><br>ALL OTHER DIMENSIONAL TOLERANCES:<br>.X = ± .2 [5]      FRACTIONS ± 1/32<br>.XX = ± .02 [5]      ANGLES ± 1°<br>.XXX = ± .005 [13] | APPROVALS  | DATE   |  50 High Street, West Mill,<br>North Andover, MA 01845 USA.<br>Phone: 1.800.341.5266<br>1.978.682.6936 |
|   | DRAWN BY<br>DZINN  | 11/05/19   |   |
| APPROVED BY<br>MMARTINEZ  | 11/07/19   | CATEGORY<br>ENCLOSURE  |   |
| THIRD-ANGLE PROJECTION<br>   | CONFIGURATION DETAILS OF<br>UNDIMENSIONED FEATURES<br>MAY VARY | PRODUCT DESCRIPTION<br>NPT Cord Grip w/ Lock Nut (.709-.984) |   |
| COLOR VARIATIONS<br>MAY OCCUR   | SIZE<br><b>A</b>   | CAGE CODE<br><b>43321</b>                                    | DWG. NO.<br><b>NB-CG1.3</b>   |
| SCALE: NONE   |  | CAD FILE: NB-CG1.3.SLDDRW                                    | REV.<br><b>B</b>  |
| SHEET 1 OF 1  |  |  |   |