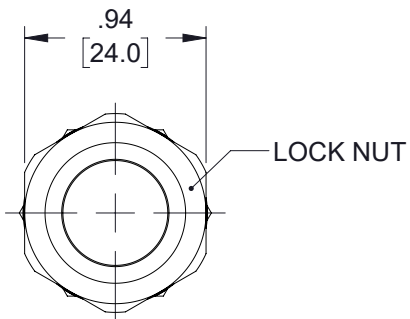
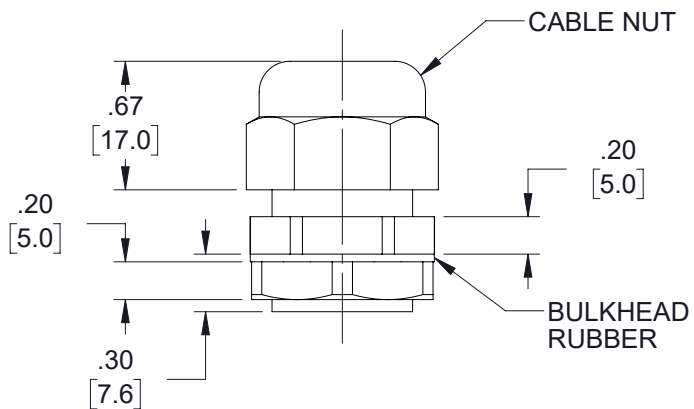
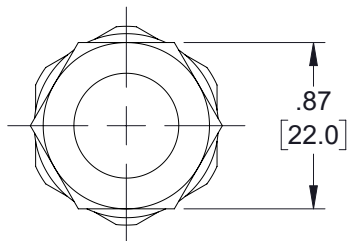

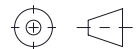


THE INFORMATION CONTAINED IN THIS DRAWING IS THE SOLE PROPERTY OF L-COM, INC. ANY REPRODUCTION IN PART OR WHOLE WITHOUT THE WRITTEN PERMISSION OF L-COM, INC. IS PROHIBITED.

REVISIONS			
REV	DESCRIPTION	DATE	APPROVED
A	INITIAL RELEASE	10/31/19	MMARTINEZ
B	ECN 10369: ADDED "ALL DIMENSIONS FOR REFERENCE ONLY"	02/14/20	MMARTINEZ



ALL DIMENSIONS FOR REFERENCE ONLY

UNLESS OTHERWISE SPECIFIED, DIMENSIONS ARE IN INCHES [mm]	APPROVALS	DATE	 50 High Street, West Mill, North Andover, MA 01845 USA. Phone: 1.800.341.5266 1.978.682.6936
	DRAWN BY DZINN	10/31/19	
OVERALL CABLE LENGTH TOLERANCE: ≤12 [305] = +1 [25] / -0 >12 [305] ≤60 [1524] = +2 [51] / -0 >60 [1524] ≤120 [3048] = +4 [102] / -0 >120 [3048] ≤300 [7620] = +6 [152] / -0 >300 [7620] = +5% / -0	CHECKED BY DFRISIELLO	10/31/19	CATEGORY <b>ENCLOSURE</b>
ALL OTHER DIMENSIONAL TOLERANCES: .X = ± .2 [5]   FRACTIONS ± 1/32 .XX = ± .02 [.5]   ANGLES ± 1° .XXX = ± .005 [.13]	APPROVED BY MMARTINEZ	10/31/19	
THIRD-ANGLE PROJECTION 	CONFIGURATION DETAILS OF UNDIMENSIONED FEATURES MAY VARY	PRODUCT DESCRIPTION <b>PC HUB Cord Grip w/ Lock Nut (.197-.394)</b>	
COLOR VARIATIONS MAY OCCUR		SIZE <b>A</b>	CAGE CODE <b>43321</b>
		DWG. NO. <b>NB-CG0.7</b>	REV. <b>B</b>
		SCALE: NONE	CAD FILE: NB-CG0.7.SLDDRW
		SHEET 1 OF 1	