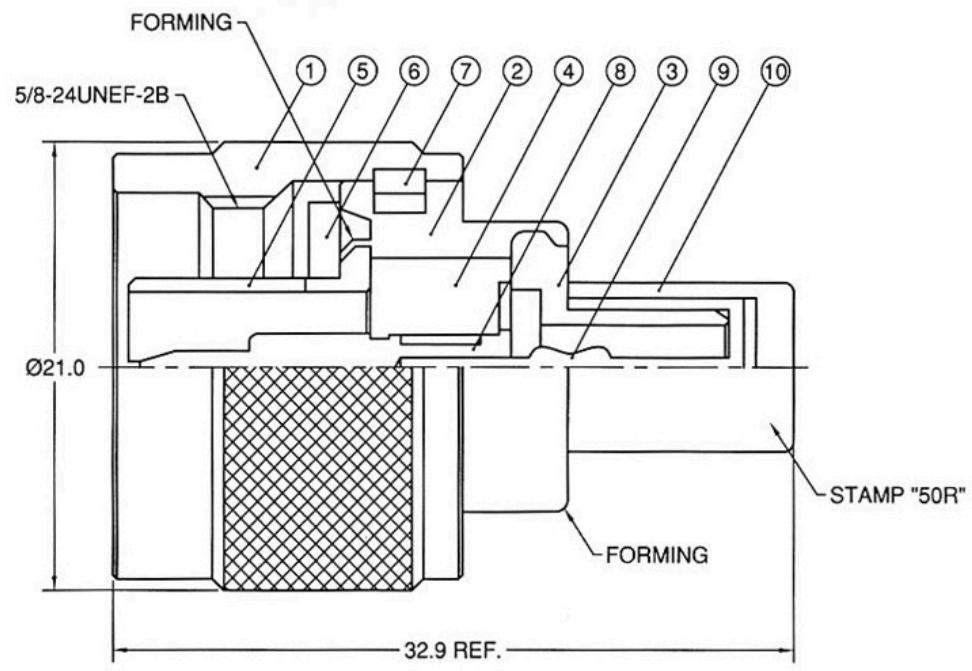


Show Me CABLES

REVISIONS				
ZONE	REV	DESCRIPTION	DATE	APPROVED



NO.	DESCRIPTION	MATERIAL	FINISH	QTY.
10	COVER	BRASS	NOTE 1	1
9	RESISTOR	50R		1
8	CONTACT PIN	BRASS	NOTE 2	1
7	RETAINER RING	SUS 304	NATURAL	1
6	GASKET	SILICONE	RED	1
5	CONTACT BODY	BRASS	NOTE 1	1
4	INSULATOR	TEFLON	NATURAL	1
3	BARREL	BRASS	NOTE 1	1
2	BODY	BRASS	NOTE 1	1
1	SHELL	BRASS	NOTE 1	1
BILL OF MATERIALS				

NOTES: FINISH (PLATING THICKNESS IN MICRO-INCHES)
 1. NICKEL PL. 100 MIN. THICK OVER COPPER STRIKE.
 2. GOLD PL. 3 MIN. THICK OVER NICKEL PL. 100 MIN. THICK OVER COPPER STRIKE.

BY	DATE		
DRAWN TN	07/29/03		
CHK'D TC	07/29/03		
APPRV		PART NO	
MATERIAL	SEE NOTES		
FINISH	SEE NOTES	UNITS	SHEET
		mm	1 OF 1
		SCALE	NONE