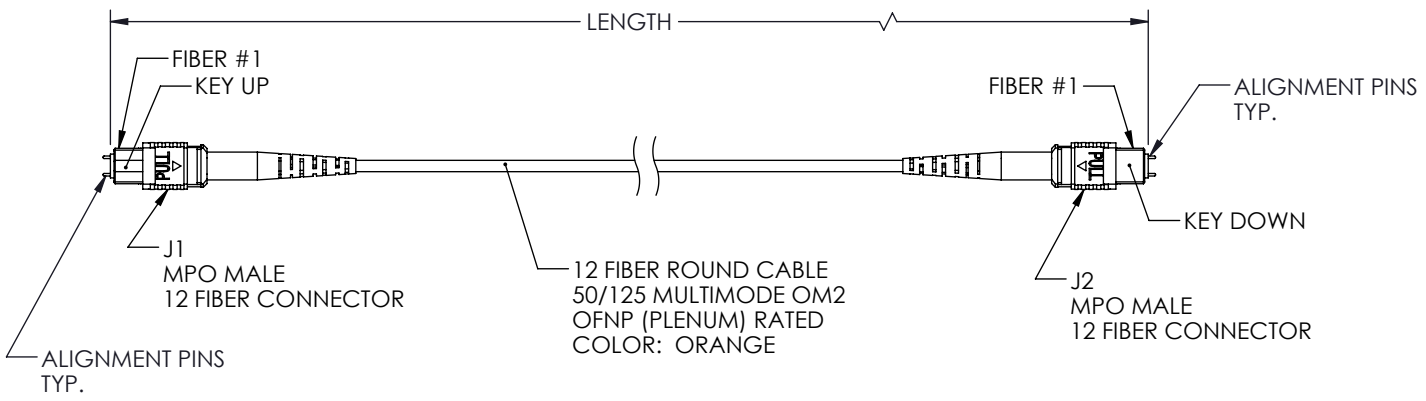


THE INFORMATION CONTAINED IN THIS DRAWING IS THE SOLE PROPERTY OF L-COM, INC. ANY REPRODUCTION IN PART OR WHOLE WITHOUT THE WRITTEN PERMISSION OF L-COM, INC. IS PROHIBITED.

REVISIONS			
REV	DESCRIPTION	DATE	APPROVED
A	INITIAL RELEASE	4/28/2022	PHOSPODAR


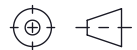
WIRING MAP TYPE A		
J1	COLOR	J2
1	BLUE	1
2	ORANGE	2
3	GREEN	3
4	BROWN	4
5	GRAY	5
6	WHITE	6
7	RED	7
8	BLACK	8
9	YELLOW	9
10	PURPLE	10
11	ROSE	11
12	AQUA	12



LENGTH	
ITEM NO.	METERS [FEET]
MPMM12OM2AP-1	1.0 [3.28]
MPMM12OM2AP-3	3.0 [9.84]
MPMM12OM2AP-5	5.0 [16.40]
MPMM12OM2AP-10	10.0 [32.81]

- NOTES:
1. ALL CONNECTORS ACCOMPANIED WITH A DUST CAP INSTALLED (NOT SHOWN).
 2. PACKAGING: INDIVIDUALLY PACKAGE EACH ASSEMBLY IN ACCORDANCE WITH L-COM SPECIFICATION PS-0031.

REGULATORY COMPLIANCE:
EU ROHS DIRECTIVE (MOST RECENT RELEASED VERSION)

UNLESS OTHERWISE SPECIFIED, DIMENSIONS ARE IN INCHES [mm] OVERALL CABLE LENGTH TOLERANCE: ≤12 [305] = +1 [25] / -0 >12 [305] ≤60 [1524] = +2 [51] / -0 >60 [1524] ≤120 [3048] = +4 [102] / -0 >120 [3048] ≤300 [7620] = +6 [152] / -0 >300 [7620] = +5% / -0 ALL OTHER DIMENSIONAL TOLERANCES: .X = ± .2 [5] FRACTIONS ± 1/32 .XX = ± .02 [5] ANGLES ± 1° .XXX = ± .005 [13]	APPROVALS DRAWN BY KGLEBOVA CHECKED BY JJOHNSTON APPROVED BY PHOSPODAR	DATE 4/20/2022 4/28/2022 4/28/2022	 an INFINITO brand 50 High Street, West Mill, North Andover, MA 01845 USA. Phone: 1.800.341.5266 1.978.682.6936	
	THIRD-ANGLE PROJECTION 	CONFIGURATION DETAILS OF UNDIMENSIONED FEATURES MAY VARY COLOR VARIATIONS MAY OCCUR		CATEGORY FIBER OPTICS PRODUCT DESCRIPTION MPO W/ PINS TO MPO W/PINS, 12 FIBER, TYPE A, 50/125 OM2 MMF, OFNP JACKET
SIZE A		CAGE CODE 43321	ITEM NO. MPMM12OM2AP	REV. A