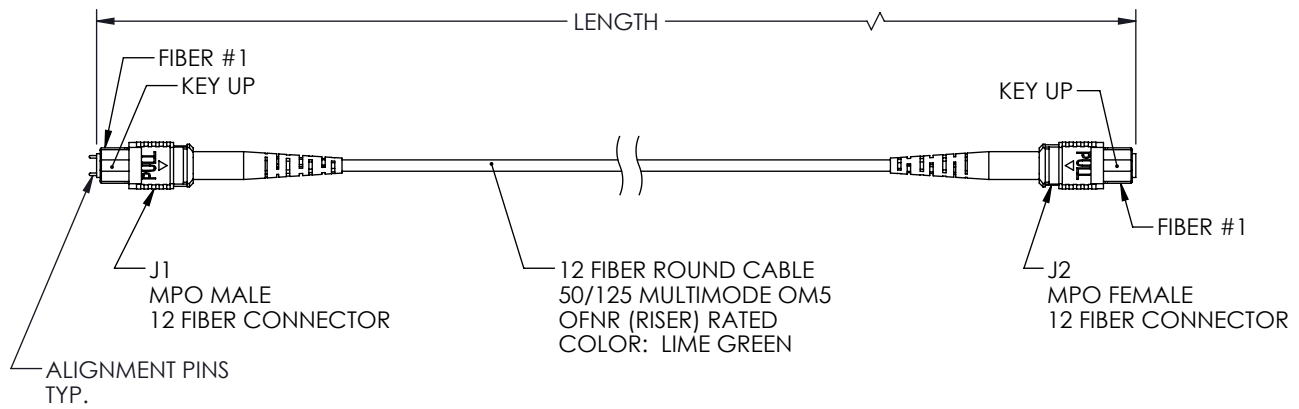


THE INFORMATION CONTAINED IN THIS DRAWING IS THE SOLE PROPERTY OF L-COM, INC. ANY REPRODUCTION IN PART OR WHOLE WITHOUT THE WRITTEN PERMISSION OF L-COM, INC. IS PROHIBITED.

| REVISIONS | | | |
|-----------|-----------------|-----------|-----------|
| REV | DESCRIPTION | DATE | APPROVED |
| A | INITIAL RELEASE | 4/28/2022 | PHOSPODAR |
| | | | |
| | | | |


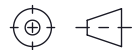
| WIRING MAP TYPE B | | |
|----------------------|--------|----|
| J1 | COLOR | J2 |
| 1 | BLUE | 12 |
| 2 | ORANGE | 11 |
| 3 | GREEN | 10 |
| 4 | BROWN | 9 |
| 5 | GRAY | 8 |
| 6 | WHITE | 7 |
| 7 | RED | 6 |
| 8 | BLACK | 5 |
| 9 | YELLOW | 4 |
| 10 | PURPLE | 3 |
| 11 | ROSE | 2 |
| 12 | AQUA | 1 |



| LENGTH | |
|----------------|---------------|
| ITEM NO. | METERS [FEET] |
| MPMF12OM5BR-1 | 1.0 [3.28] |
| MPMF12OM5BR-3 | 3.0 [9.84] |
| MPMF12OM5BR-5 | 5.0 [16.40] |
| MPMF12OM5BR-10 | 10.0 [32.81] |

- NOTES:
- ALL CONNECTORS ACCOMPANIED WITH A DUST CAP INSTALLED (NOT SHOWN).
 - PACKAGING: INDIVIDUALLY PACKAGE EACH ASSEMBLY IN ACCORDANCE WITH L-COM SPECIFICATION PS-0031.

REGULATORY COMPLIANCE:
EU RoHS DIRECTIVE (MOST RECENT RELEASED VERSION)

| | | | | |
|---|---|--|---|---------------------------------|
| UNLESS OTHERWISE SPECIFIED, DIMENSIONS ARE IN INCHES [mm] OVERALL CABLE LENGTH TOLERANCE: ≤12 [305] = +1 [25] / -0 >12 [305] ≤60 [1524] = +2 [51] / -0 >60 [1524] ≤120 [3048] = +4 [102] / -0 >120 [3048] ≤300 [7620] = +6 [152] / -0 >300 [7620] = +5% / -0 ALL OTHER DIMENSIONAL TOLERANCES: .X = ± .2 [5] FRACTIONS ± 1/32 .XX = ± .02 [5] ANGLES ± 1° .XXX = ± .005 [1.3] | APPROVALS DRAWN BY KGLEBOVA CHECKED BY JJOHNSTON APPROVED BY PHOSPODAR | DATE 4/20/2022 4/28/2022 4/28/2022 |  50 High Street, West Mill, North Andover, MA 01845 USA. Phone: 1.800.341.5266 1.978.682.6936 | |
| | THIRD-ANGLE PROJECTION  | CONFIGURATION DETAILS OF UNDIMENSIONED FEATURES MAY VARY COLOR VARIATIONS MAY OCCUR | | CATEGORY FIBER OPTICS |
| SCALE: NONE | | CAGE CODE A 43321 | ITEM NO. MPMF12OM5BR | REV. A |
| CAD FILE: MPMF12OM5BR.SLDDRW | | SHEET 1 OF 1 | | |