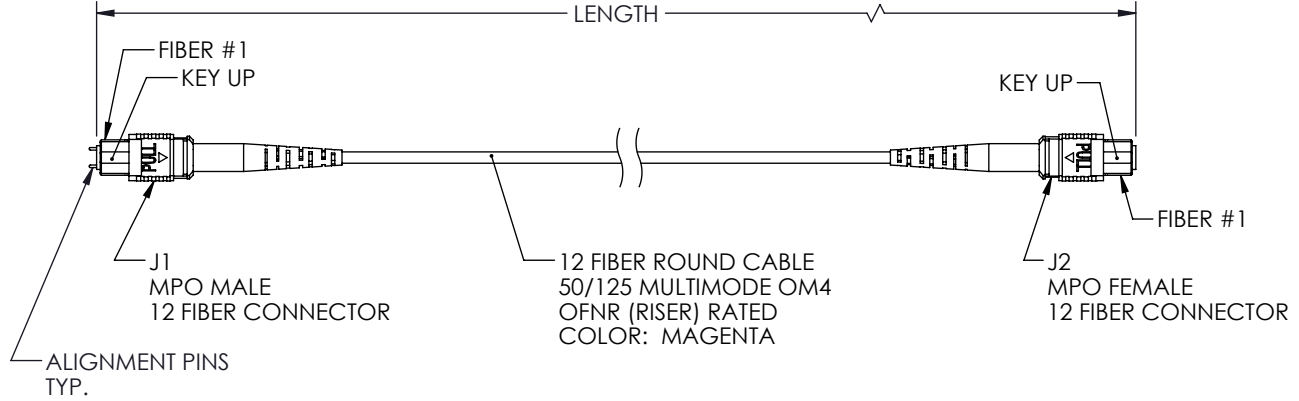


THE INFORMATION CONTAINED IN THIS DRAWING IS THE SOLE PROPERTY OF L-COM, INC. ANY REPRODUCTION IN PART OR WHOLE WITHOUT THE WRITTEN PERMISSION OF L-COM, INC. IS PROHIBITED.

REVISIONS			
REV	DESCRIPTION	DATE	APPROVED
A	INITIAL RELEASE	4/28/2022	PHOSPODAR


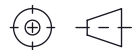
WIRING MAP TYPE B		
J1	COLOR	J2
1	BLUE	12
2	ORANGE	11
3	GREEN	10
4	BROWN	9
5	GRAY	8
6	WHITE	7
7	RED	6
8	BLACK	5
9	YELLOW	4
10	PURPLE	3
11	ROSE	2
12	AQUA	1



LENGTH	
ITEM NO.	METERS [FEET]
MPMF12OM4BR-1	1.0 [3.28]
MPMF12OM4BR-3	3.0 [9.84]
MPMF12OM4BR-5	5.0 [16.40]
MPMF12OM4BR-10	10.0 [32.81]

- NOTES:
- ALL CONNECTORS ACCOMPANIED WITH A DUST CAP INSTALLED (NOT SHOWN).
 - PACKAGING: INDIVIDUALLY PACKAGE EACH ASSEMBLY IN ACCORDANCE WITH L-COM SPECIFICATION PS-0031.

REGULATORY COMPLIANCE:
EU RoHS DIRECTIVE (MOST RECENT RELEASED VERSION)

UNLESS OTHERWISE SPECIFIED, DIMENSIONS ARE IN INCHES [mm] OVERALL CABLE LENGTH TOLERANCE: ≤12 [305] = +1 [25] / -0 >12 [305] ≤60 [1524] = +2 [51] / -0 >60 [1524] ≤120 [3048] = +4 [102] / -0 >120 [3048] ≤300 [7620] = +6 [152] / -0 >300 [7620] = +5% / -0 ALL OTHER DIMENSIONAL TOLERANCES: .X = ± .2 [5] FRACTIONS ± 1/32 .XX = ± .02 [.5] ANGLES ± 1° .XXX = ± .005 [.13]	APPROVALS DRAWN BY: KGLEBOVA CHECKED BY: JJOHNSTON APPROVED BY: PHOSPODAR	DATE 4/20/2022 4/28/2022 4/28/2022	 50 High Street, West Mill, North Andover, MA 01845 USA. Phone: 1.800.341.5266 1.978.682.6936	
	THIRD-ANGLE PROJECTION 	CONFIGURATION DETAILS OF UNDIMENSIONED FEATURES MAY VARY COLOR VARIATIONS MAY OCCUR		CATEGORY FIBER OPTICS
SCALE: NONE		CAGE CODE A 43321	ITEM NO. MPMF12OM4BR	REV. A
CAD FILE: MPMF12OM4BR.SLDDRW		SHEET 1 OF 1		