

6

5

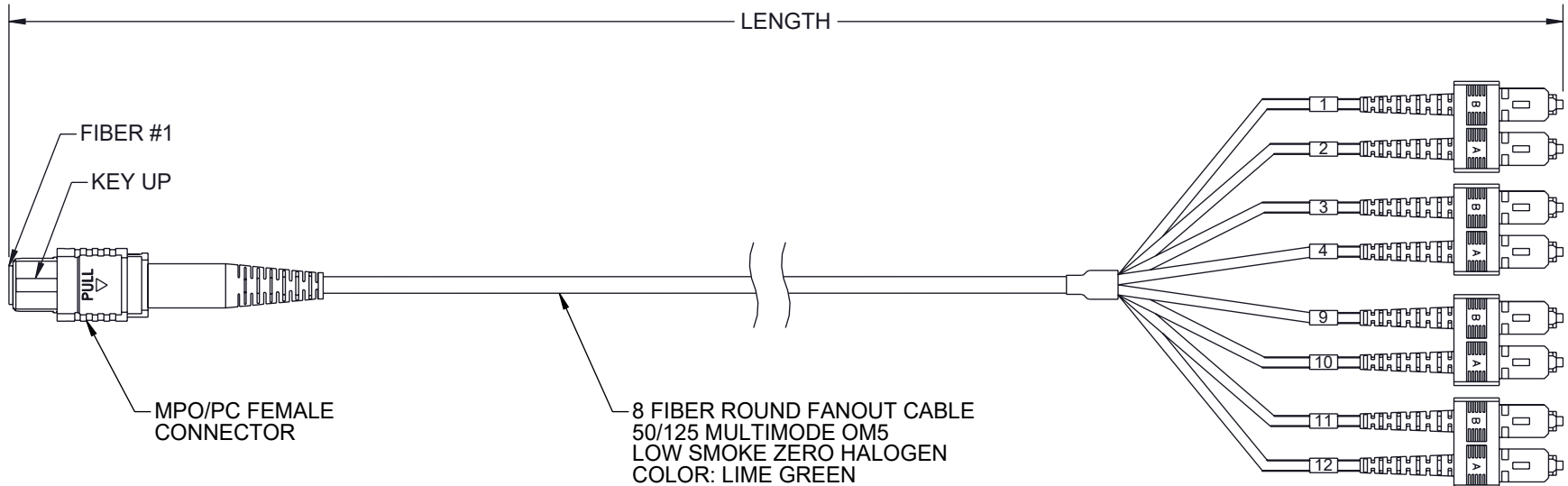
4

3

2

1

REVISION					
ZONE	REV.	DESCRIPTION	DATE	CHANGED BY	APPROVED BY
	A	INITIAL RELEASE	01/11/2023	HBAKKE	PHOSPODAR



WIRING MAP TYPE A		
MPO FIBER #	SC COLOR	SC FIBER #
1	BLUE	1
2	ORANGE	2
3	GREEN	3
4	BROWN	4
5	-	5
6	-	6
7	-	7
8	-	8
9	YELLOW	9
10	VIOLET	10
11	PINK	11
12	AQUA	12

PART NUMBER	FIBER MODE	LENGTH METERS [FEET]
MPFA8OM5-20SCUZ-1	50/125 MULTIMODE OM5	1.0 [3.28]
MPFA8OM5-20SCUZ-3	50/125 MULTIMODE OM5	3.0 [9.84]
MPFA8OM5-20SCUZ-5	50/125 MULTIMODE OM5	5.0 [16.40]
MPFA8OM5-20SCUZ-10	50/125 MULTIMODE OM5	10.0 [32.81]

NOTES:
1. ALL CONNECTORS ACCOMPANIED WITH A DUST CAP INSTALLED (NOT SHOWN).

REGULATORY COMPLIANCE:
EU RoHS DIRECTIVE (MOST RECENT RELEASED VERSION)

THE INFORMATION CONTAINED IN THIS DRAWING IS THE SOLE PROPERTY OF INFINITE ELECTRONICS, INC. ANY REPRODUCTION IN PART OR WHOLE WITHOUT THE WRITTEN PERMISSION OF INFINITE ELECTRONICS, INC. IS PROHIBITED. THESE COMMODITIES, TECHNOLOGY OR SOFTWARE WERE EXPORTED FROM THE UNITED STATES IN ACCORDANCE WITH THE EXPORT ADMINISTRATION REGULATIONS. DIVERSION CONTRARY TO U.S. LAW PROHIBITED.

UNLESS OTHERWISE SPECIFIED
LEADING DIMENSIONS ARE INCHES
DIMENSIONS IN [] ARE MILLIMETERS

TOLERANCES:
.X = ±.2 [5] FRACTIONS
.XX = ±.02 [.5] ± 1/32
.XXX = ±.005 [.13] ANGLES ± 1°

CABLE LENGTH TOLERANCES:
>12 [305] = +1 [25] / -0
>12 [305] ≤ 60 [1524] = +2 [51] / -0
>60 [1524] ≤ 120 [3048] = +4 [102] / -0
>120 [3048] ≤ 300 [7620] = +6 [152] / -0
>300 [7620] = +5% / -0

ALL DIMENSIONS ARE FOR REFERENCE ONLY
AND SUBJECT TO CHANGE WITHOUT NOTICE.

L-com
an INFINITE® brand
Website: www.L-com.com
Phone: 1.800.341.5266 | 1.978.682.6936

INTERPRET ALL DIMENSIONS AND TOLERANCES PER ASME Y14.5

SCALE NONE SHEET 1 OF 1

DESCRIPTION
Type A MPO w/o pins to SC/UPC fan-out, 2.0mm Diameter, 8 Fiber, Multimode OM5 100GB 50/125, LSZH Jacket

SIZE	CAGE CODE	DRAWN BY	ITEM NO.	REV
A	43321	HBAKKE	MPFA8OM5-20SCUZ	A

6

5

4

3

2

1