



Lightning Rod, Triple Spire Rooftop

Data Surge Protection Device Technical Data Sheet

LR-3RT-LC

Features

- Prevent direct lightning strikes
- Route lightning energy safely into the grounding system if strikes occur
- Multi-spire versions available

Applications

- Rooftops
- Superstructures
- Chimneys
- Outdoor Equipment

Description

Lightning rod LR-3RT-LC from L-com protects buildings, equipment and personnel from the damaging effects of direct lightning strikes. This lightning rod is constructed from highly conductive aluminum and is geometrically designed to maximize effectiveness. L-com lightning rod products are available in stock with same day shipping.

Environmental Specifications

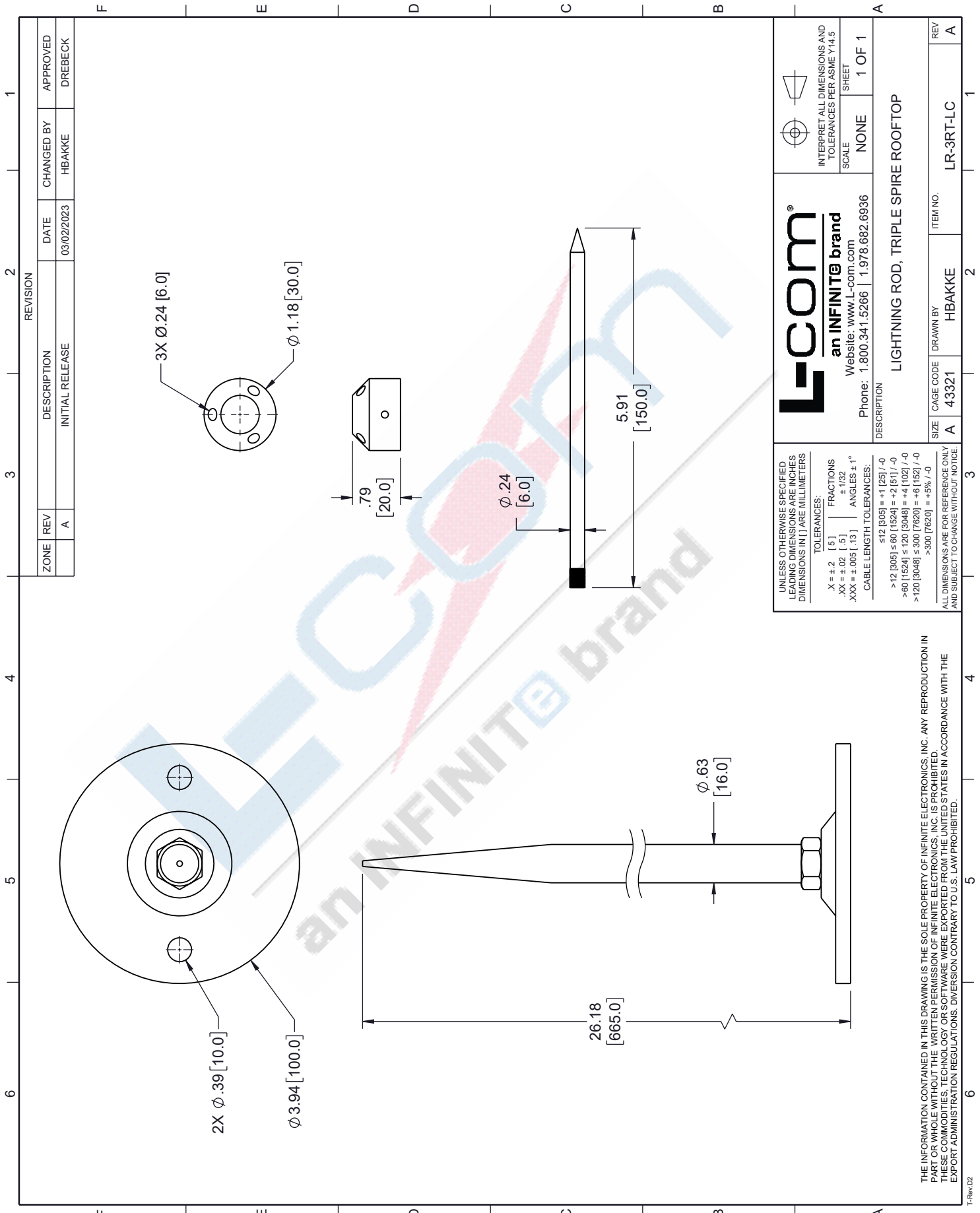
Operating Temperature	-40 to +80 deg C
Mount Type	Rooftop

Our portfolio includes coaxial cable assemblies, connectors, adapters and custom products as well as lightning and surge protectors, NEMA rated enclosures, and an RF product line which includes antennas, amplifiers, passive, and active components.

The information contained in this document is accurate to the best of our knowledge and representative of the part described herein. It may be necessary to make modifications to the part and/or the documentation of the part, in order to implement improvements. L-com reserves the right to make such changes as required. Unless otherwise stated, all specifications are nominal. L-com does not make any representation or warranty regarding the suitability of the part described herein for any particular purpose, and L-com does not assume any liability arising out of the use of any part or documentation.

LR-3RT-LC CAD Drawing

Lightning Rod, Triple Spire Rooftop



ZONE	REV	DESCRIPTION	DATE	CHANGED BY	APPROVED
	A	INITIAL RELEASE	03/02/2023	HBAKKE	DREBECK

L-com an INFINITE brand Website: www.L-com.com Phone: 1.800.341.5266 1.978.682.6936		INTERPRET ALL DIMENSIONS AND TOLERANCES PER ASME Y14.5 SCALE NONE SHEET 1 OF 1
DESCRIPTION LIGHTNING ROD, TRIPLE SPIRE ROOFTOP		
SIZE	CAGE CODE	ITEM NO.
A	43321	LR-3RT-LC
DRAWN BY	REV	
HBAKKE	A	

UNLESS OTHERWISE SPECIFIED LEADING DIMENSIONS ARE INCHES DIMENSIONS IN [] ARE MILLIMETERS

TOLERANCES:

X = ±.2 [5] | FRACTIONS ± 1/32
 .XX = ±.02 [.5] | ANGLES ± 1°
 .XXX = ±.005 [0.13]

CABLE LENGTH TOLERANCES:

< 12 [305] = +1 [25] / -0
 > 12 [305] ≤ 60 [1524] = +2 [51] / -0
 > 60 [1524] ≤ 120 [3048] = +4 [102] / -0
 > 120 [3048] ≤ 300 [7620] = +6 [152] / -0
 > 300 [7620] = +5% / -0

ALL DIMENSIONS ARE FOR REFERENCE ONLY AND SUBJECT TO CHANGE WITHOUT NOTICE.

THE INFORMATION CONTAINED IN THIS DRAWING IS THE SOLE PROPERTY OF INFINITE ELECTRONICS, INC. ANY REPRODUCTION IN PART OR IN WHOLE WITHOUT THE WRITTEN PERMISSION OF INFINITE ELECTRONICS, INC. IS PROHIBITED. THESE CONDITIONS APPLY TO ALL SOFTWARE, HARDWARE, AND SERVICES PROVIDED BY INFINITE ELECTRONICS, INC. EXPORT ADMINISTRATION REGULATIONS, DIVERSION CONTRARY TO U.S. LAW PROHIBITED.