

2400-2500, 5150-7125 MHz Wi-Fi 6E Omni MIMO Antenna, 6 dBi Gain, 8 N Type Male Connectors



LCANOM1063

Features

- N Type Male Connector
- 8 x Vertical Polarization
- 8x8 MIMO Functionality
- Outdoor Rated Omnidirectional Antenna
- 2.4 GHz, 5 GHz, 6 GHz Wi-Fi Bands
- 6 dBi gain

Applications

- Infotainment systems, Routers, Wi-Fi hotspots, HD video transmission, Gateways, Dash cameras, Public transportation
- Connected cars or self-driving cars, Fleet management, Logistics
- Public Safety Networks
- Zigbee, Bluetooth, Wi-Fi

Description

The LCANOM1063 Wi-Fi 6e Omni Antenna from L-com is a high performance omnidirectional antenna designed for the 2400 MHz to 7125 MHz bands and is available to ship same day. It is a UV protected, outdoor rated antenna with omni-directional pattern. The LCANOM1063 is ideally suited for 802.11 protocols including 802.11ax as well as Zigbee, Bluetooth and is 8x8 MIMO capable.

The L-com high performance omni LCANOM1063 is a rugged antenna providing broad coverage, low latency, increased network capacity and 6 dBi gain. This 8 port N Male omnidirectional antenna is suitable for commercial radios and access points in public and private networks that are equipped with N Type connectors.

This Wi-Fi 6e LCANOM1063 omni antenna with 8 N Male connectors, as well as our wide selection of superior quality RF parts, ships same day. Contact our knowledgeable and friendly technical support and sales staff for your answers on antennas or other L-com products.

Configuration

Design	Omni
Application Band	Wi-Fi 6E
Band Type	Dual
Radiation Pattern	Omni Directional
Polarization	Vertical
Cable Type	RG58/U
Cable Length	36 in [914.4 mm]
Connector Type	N Male
Number of Ports	8

Electrical Specifications

Description	Minimum	Typical	Maximum	Units
Frequency Range	2,400		7,125	MHz
Input VSWR			2:1	
Impedance		50		Ohms
Input Power			50	Watts

Click the following link (or enter part number in "SEARCH" on website) to obtain additional part information including price, inventory and certifications:
[2400-2500, 5150-7125 MHz Wi-Fi 6E Omni MIMO Antenna, 6 dBi Gain, 8 N Type Male Connectors LCANOM1063](#)

2400-2500, 5150-7125 MHz Wi-Fi 6E Omni MIMO
Antenna, 6 dBi Gain, 8 N Type Male Connectors



LCANOM1063

Specifications by Band

Description	Band 1	Band 2	Band 3	Band 4	Band 5	Units
Range	2.4 to 2.5	5.15 to 7.125				GHz
Gain	6	6				dBi
Horizontal HPBW	360	360				Degrees
Vertical HPBW	45	30				Degrees

Mechanical Specifications

Radome Material	UV Resistant ABS
Size	
Length	6.7 in [170.18 mm]
Width	5.8 in [147.32 mm]
Height	5.8 in [147.32 mm]
Weight	3.5 lbs [1.59 kg]
Color	White

Environmental Specifications

Temperature	
Operating Range	-40 to +70 deg C
Wind Survivability	124 MPH [199.56 KPH]
Humidity	5 to 95
Ingress Protection	IP54

Compliance Certifications (see [product page](#) for current document)

Plotted and Other Data

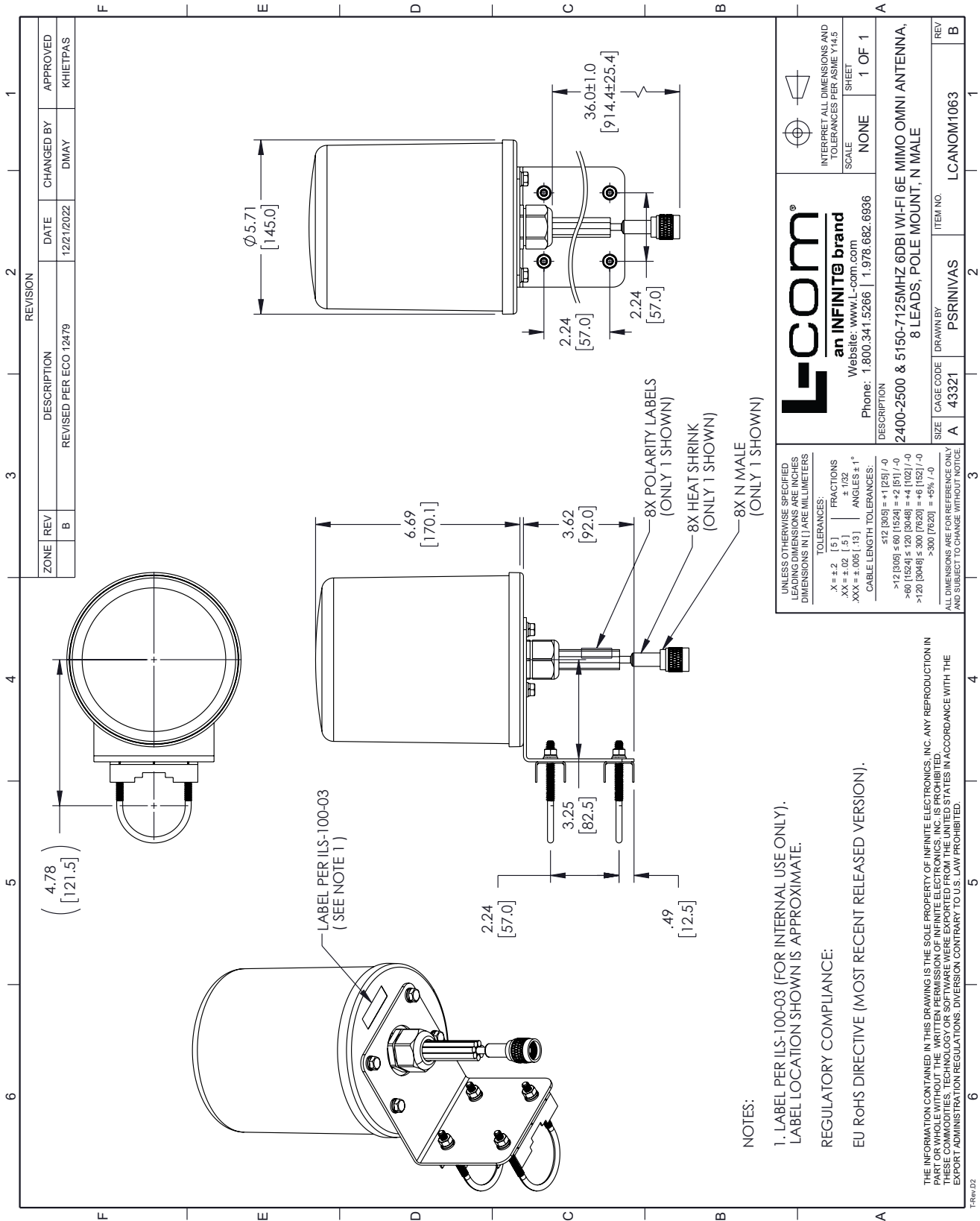
Notes:

2400-2500, 5150-7125 MHz Wi-Fi 6E Omni MIMO Antenna, 6 dBi Gain, 8 N Type Male Connectors from L-com has same day shipment for domestic and International orders. Our portfolio includes coaxial cable assemblies, connectors, adapters and custom products as well as lightning and surge protectors, NEMA rated enclosures, and an RF product line which includes antennas, amplifiers, passive, and active components.

The information contained within this document is accurate to the best of our knowledge and representative of the part described herein. It may be necessary to make modifications to the part and/or the documentation of the part in order to implement improvements. L-com reserves the right to make such changes as required. Unless otherwise stated, all specifications are nominal. L-com does not make any representation or warranty regarding the suitability of the part described herein for any particular purpose, and L-com does not assume liability arising out of the use of any part or document.

2400-2500, 5150-7125 MHz Wi-Fi 6E Omni MIMO Antenna, 6 dBi Gain, 8 N Type Male Connectors

L-com CAD Drawing



REVISION		DATE	CHANGED BY	APPROVED
ZONE	REV	DESCRIPTION		
	B	REVISED PER ECO-12479	DMAY	KHIETPAS

L-com
an INFINITE brand
Website: www.l-com.com
Phone: 1.800.341.5266 | 1.978.682.6936

INTERPRET ALL DIMENSIONS AND TOLERANCES PER ASME Y14.5
SCALE: NONE
SHEET: 1 OF 1

DESCRIPTION: 2400-2500 & 5150-7125MHz 6DBI WI-FI 6E MIMO OMNI ANTENNA, 8 LEADS, POLE MOUNT, N MALE

SIZE	CAGE CODE	DRAWN BY	ITEM NO.
A	43321	PSRINIVAS	LCANOM1063

REV B

UNLESS OTHERWISE SPECIFIED LEADING DIMENSIONS ARE IN INCHES DIMENSIONS IN [] ARE MILLIMETERS

TOLERANCES:
 .X = ±.2 [5]
 .XX = ±.02 [.5]
 .XXX = ±.005 [0.13]
 ANGLES ±1°
 CABLE LENGTH TOLERANCES:
 ≤12 [305] = ±1 [25] / -0
 >12 [305] ≤ 60 [1524] = +2 [51] / -0
 >60 [1524] ≤ 120 [3048] = +4 [102] / -0
 >120 [3048] ≤ 300 [7620] = +6 [152] / -0
 >300 [7620] = +5% / -0

ALL DIMENSIONS ARE FOR REFERENCE ONLY AND SUBJECT TO CHANGE WITHOUT NOTICE.

THE INFORMATION CONTAINED IN THIS DRAWING IS THE SOLE PROPERTY OF INFINITE ELECTRONICS, INC. ANY REPRODUCTION IN PART OR WHOLE WITHOUT THE WRITTEN PERMISSION OF INFINITE ELECTRONICS, INC. IS PROHIBITED. EXPORT ADMINISTRATION REGULATIONS CONTRARY TO U.S. LAW PROHIBITED.

1-Rev-02