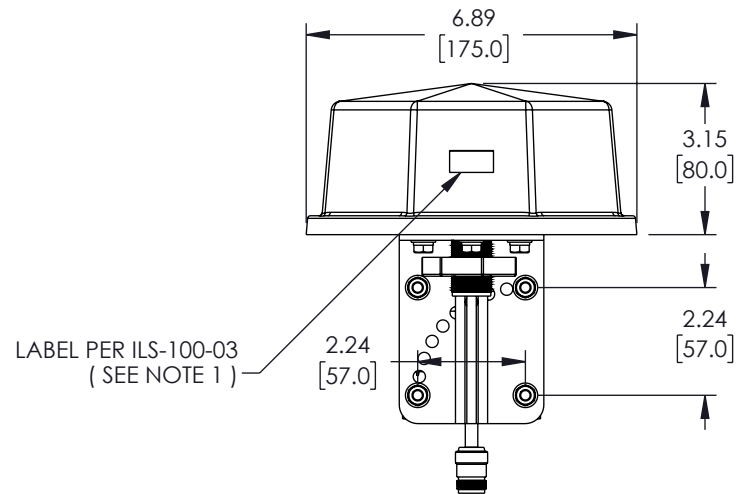
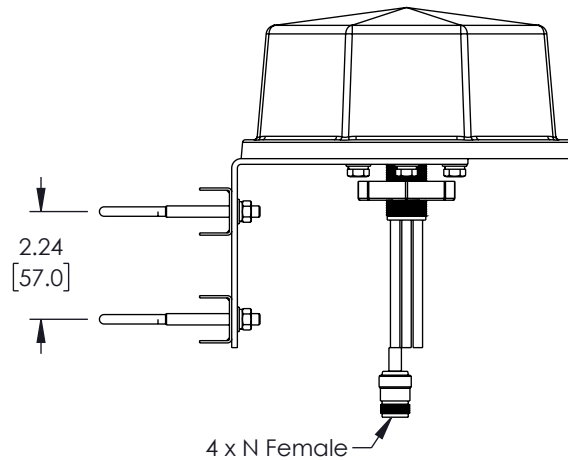
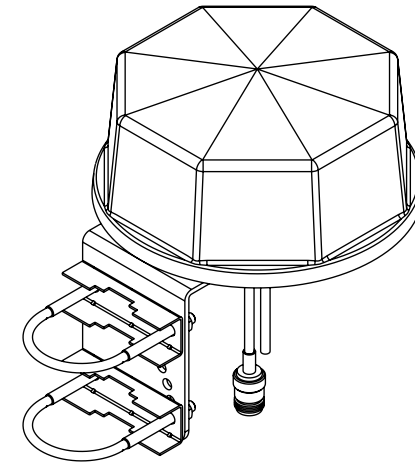
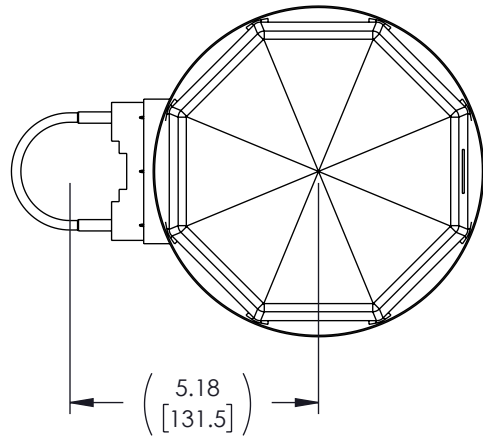


REVISIONS			
REV.	DESCRIPTION	DATE	APPROVED
A	INITIAL RELEASE	12/21/2022	KHIETPAS



NOTES:

1. LABEL PER ILS-100-03 (FOR INTERNAL USE ONLY).  
 LABEL LOCATION SHOWN IS FOR REFERENCE ONLY.

REGULATORY COMPLIANCE:

EU RoHS DIRECTIVE (MOST RECENT RELEASED VERSION)

THESE COMMODITIES, TECHNOLOGY OR SOFTWARE WERE EXPORTED FROM THE UNITED STATES IN ACCORDANCE WITH THE EXPORT ADMINISTRATION REGULATIONS. DIVERSION CONTRARY TO U.S. LAW PROHIBITED.

UNLESS OTHERWISE SPECIFIED  
 LEADING DIMENSIONS ARE INCHES  
 DIMENSIONS IN [ ] ARE MILLIMETERS

TOLERANCES:

X = ± 2	[ 5.08 ]	FRACTIONS
.XX = ± 02	[ .51 ]	± 1/32
XXX = ± 005	[ .13 ]	ANGLES ± 1°

CABLE LENGTH (L) TOLERANCES:

L ≤ 12	[ 305 ]	= +1 [ 25 ] / -0
12 [ 305 ] < L ≤ 60	[ 1524 ]	= +2 [ 51 ] / -0
60 [ 1524 ] < L ≤ 120	[ 3048 ]	= +4 [ 102 ] / -0
120 [ 3048 ] < L ≤ 300	[ 7620 ]	= +6 [ 152 ] / -0
300 [ 7620 ] < L		= +5%L / -0

ALL DIMENSIONS SHOWN  
 ARE FOR REFERENCE ONLY.

**L-com**  
 an INFINIT<sup>®</sup> brand

50 High Street, West Mill, 3rd Floor, Suite #30  
 North Andover, MA 01845 USA.  
 Phone: 1.800.341.5266 | 1.978.682.6936  
 Fax: 1.978.689.9484  
 Website: www.L-com.com  
 E-mail: CustomerService@L-com.com

SIZE	CAGE CODE	DRAWN BY	ITEM NO.	REV
A	43321	PSRINIVAS	LCANOM1061	A

THIRD-ANGLE PROJECTION

THE INFORMATION AND  
 DESIGN IN THIS DOCUMENT  
 IS THE PROPERTY OF  
 L-COM GLOBAL CONNECTIVITY.  
 ALL RIGHTS RESERVED.

SHEET	1	OF	1
SCALE	N/A		