

2400-2500, 5150-7125 MHz Wi-Fi 6E Omni MIMO Antenna, 4 dBi Gain, 4 RP SMA Male Connectors



LCANOM1059

Features

- Reverse Polarity SMA (RP-SMA) Male Connector
- 4 x Vertical Polarization
- 4x4 MIMO Functionality
- Outdoor Rated Omnidirectional Antenna
- 2.4 GHz, 5 GHz, 6 GHz Wi-Fi Bands
- 6 dBi gain

Applications

- Infotainment systems, Routers, Wi-Fi hotspots, HD video transmission, Gateways, Dash cameras, Public transportation
- Connected cars or self-driving cars, Fleet management, Logistics
- Public Safety Networks
- Zigbee, Bluetooth, Wi-Fi

Description

The LCANOM1059 Wi-Fi 6e Omni Antenna from L-com is a high performance omnidirectional antenna designed for the 2400 MHz to 7125 MHz bands and is available to ship same day. It is a UV protected, outdoor rated antenna with omni-directional pattern. The LCANOM1059 is ideally suited for 802.11 protocols including 802.11ax as well as Zigbee, Bluetooth and is 4x4 MIMO capable.

The L-com high performance omni LCANOM1059 is a rugged antenna providing broad coverage, low latency, increased network capacity and 6 dBi gain. This 4 port RPSMA Male omnidirectional antenna is suitable for commercial radios and access points in public and private networks that are equipped with Reverse Polarity SMA Type connectors.

This Wi-Fi 6e LCANOM1059 omni antenna with 4 RPSMA Male connectors, as well as our wide selection of superior quality RF parts, ships same day. Contact our knowledgeable and friendly technical support and sales staff for your answers on antennas or other L-com products.

Configuration

| | |
|-------------------|---------------------------|
| Design | Omni |
| Application Band | Wi-Fi 6E |
| Band Type | Dual |
| Radiation Pattern | Omni Directional |
| Polarization | Vertical |
| Cable Type | RG58/U |
| Cable Length | 36 in [914.4 mm] |
| Connector Type | SMA Male Reverse Polarity |
| Number of Ports | 4 |

Electrical Specifications

| Description | Minimum | Typical | Maximum | Units |
|-----------------|---------|---------|---------|-------|
| Frequency Range | 2,400 | | 7,125 | MHz |
| Input VSWR | | | 2:1 | |
| Impedance | | 50 | | Ohms |
| Input Power | | | 50 | Watts |

Click the following link (or enter part number in "SEARCH" on website) to obtain additional part information including price, inventory and certifications: [2400-2500, 5150-7125 MHz Wi-Fi 6E Omni MIMO Antenna, 4 dBi Gain, 4 RP SMA Male Connectors LCANOM1059](#)

2400-2500, 5150-7125 MHz Wi-Fi 6E Omni MIMO Antenna, 4 dBi Gain, 4 RP SMA Male Connectors



LCANOM1059

Specifications by Band

| Description | Band 1 | Band 2 | Band 3 | Band 4 | Band 5 | Units |
|-----------------|------------|---------------|--------|--------|--------|---------|
| Range | 2.4 to 2.5 | 5.15 to 7.125 | | | | GHz |
| Gain | 4 | 6 | | | | dBi |
| Horizontal HPBW | 360 | 360 | | | | Degrees |
| Vertical HPBW | 55 | 35 | | | | Degrees |

Mechanical Specifications

| | |
|-----------------|--------------------|
| Radome Material | UV Resistant ABS |
| Size | |
| Length | 3 in [76.2 mm] |
| Width | 5.7 in [144.78 mm] |
| Height | 5.7 in [144.78 mm] |
| Weight | 2 lbs [907.18 g] |
| Color | White |

Environmental Specifications

| | |
|--------------------|------------------|
| Temperature | |
| Operating Range | -40 to +70 deg C |
| Humidity | 5 to 95 |

Compliance Certifications (see [product page](#) for current document)

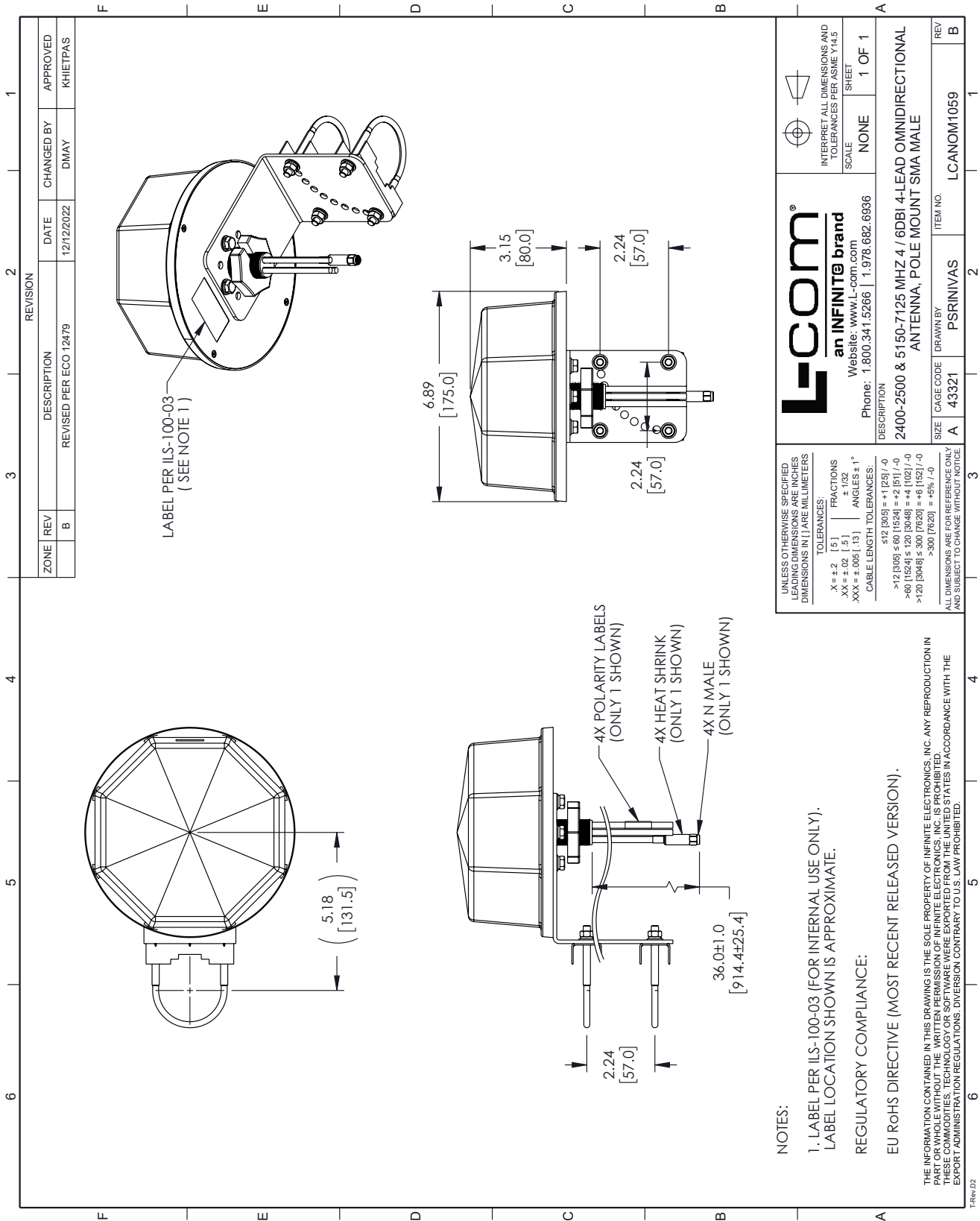
Plotted and Other Data

Notes:

2400-2500, 5150-7125 MHz Wi-Fi 6E Omni MIMO Antenna, 4 dBi Gain, 4 RP SMA Male Connectors from L-com has same day shipment for domestic and International orders. Our portfolio includes coaxial cable assemblies, connectors, adapters and custom products as well as lightning and surge protectors, NEMA rated enclosures, and an RF product line which includes antennas, amplifiers, passive, and active components.

The information contained within this document is accurate to the best of our knowledge and representative of the part described herein. It may be necessary to make modifications to the part and/or the documentation of the part in order to implement improvements. L-com reserves the right to make such changes as required. Unless otherwise stated, all specifications are nominal. L-com does not make any representation or warranty regarding the suitability of the part described herein for any particular purpose, and L-com does not assume liability arising out of the use of any part or document.

L-com CAD Drawing



| ZONE | REV | DESCRIPTION | DATE | CHANGED BY | APPROVED |
|------|-----|-----------------------|------------|------------|----------|
| B | | REVISED PER ECO-12479 | 12/12/2022 | DMAY | KHIETPAS |

| REVISION | DESCRIPTION | DATE | CHANGED BY | APPROVED |
|----------|-------------|------|------------|----------|
| 1 | | | | |