

136-940MHz, 4.5 dBi Gain, Omni-directional Antenna with Magnetic NMO Mount, SMA-Male Connector



LCANMOB1003-SM

Features

- Outdoor Rated Omni Directional Antenna
- 4.5 dBi Gain
- Easy to install magnetic mount offering temporary plug and play installation
- NMO Magnetic Mount, Black ABS Radome
- 1.5:1 VSWR Max
- 10 Foot, Black Low-Loss LMR195 Equivalent Cable
- SMA-Male Connector

Applications

- Offroad/Overland Vehicles
- Mining/Industrial
- Heavy Equipment
- Commercial Trucking
- Fleet Management
- Farm Equipment

Description

The L-com LCANMOB1003-SM is an omnidirectional antenna with a magnetic NMO mount specifically designed for high-performance applications. This vertically polarized omni antenna with NMO mount is available in black color. Our high-quality antenna can operate at frequencies ranging from 136 to 940 MHz, which is ideal for indoor low-profile, in-building, and mobile applications. This non-infrastructure antenna has a 4.5 dBi gain, which transmits high-power signals and faster speed. This vertically polarized omni antenna with NMO mount is available in white color.

The LCANMOB1003-SM in-building antenna from L-com features an NMO-type magnetic mount, which is ideal when the portability of the antenna is required. This NMO antenna mount is constructed with a heavy-duty magnet to ensure secure mounting. No drilling is required for the installation of this antenna mount, making it easy to fine-tune the antenna location. The magnetic base is easy to install and offers a temporary plug-and-play installation. Our magnetic mount comes with a SMA male connector and can be used for WLAN, Wi-Fi, public safety, and mobile RF applications.

L-com has one of the largest in-stock selection of omnidirectional antennas with same-day shipment. Use our on-line ordering system to purchase your LCANMOB1003-SM antenna 24 hours a day with same-day shipping and no MOQs (minimum order quantities). For further information on similar products, our expert technical support and knowledgeable sales team can help you get the ideal vertically polarized antenna with a magnetic NMO mount for your requirements.

Configuration

Design	Omni
Band Type	Single
Radiation Pattern	Omni Directional
Polarization	Vertical
Connector Type	SMA
Number of Ports	1

Electrical Specifications

Description	Minimum	Typical	Maximum	Units
Frequency Range	136		940	MHz
Input VSWR			1.5:1	

Click the following link (or enter part number in "SEARCH" on website) to obtain additional part information including price, inventory and certifications:
[136-940MHz, 4.5 dBi Gain, Omni-directional Antenna with Magnetic NMO Mount, SMA-Male Connector LCANMOB1003-SM](#)

136-940MHz, 4.5 dBi Gain, Omni-directional Antenna with Magnetic NMO Mount, SMA-Male Connector



LCANMOB1003-SM

Gain	4.5	dBi
Input Power	30	Watts

Mechanical Specifications

Radome Material	Stainless Steel
Size	
Length	4.74 in [120.4 mm]
Width	3 in [76.2 mm]
Height	3 in [76.2 mm]
Weight	1.8 lbs [816.47 g]

Environmental Specifications

Compliance Certifications (see [product page](#) for current document)

Plotted and Other Data

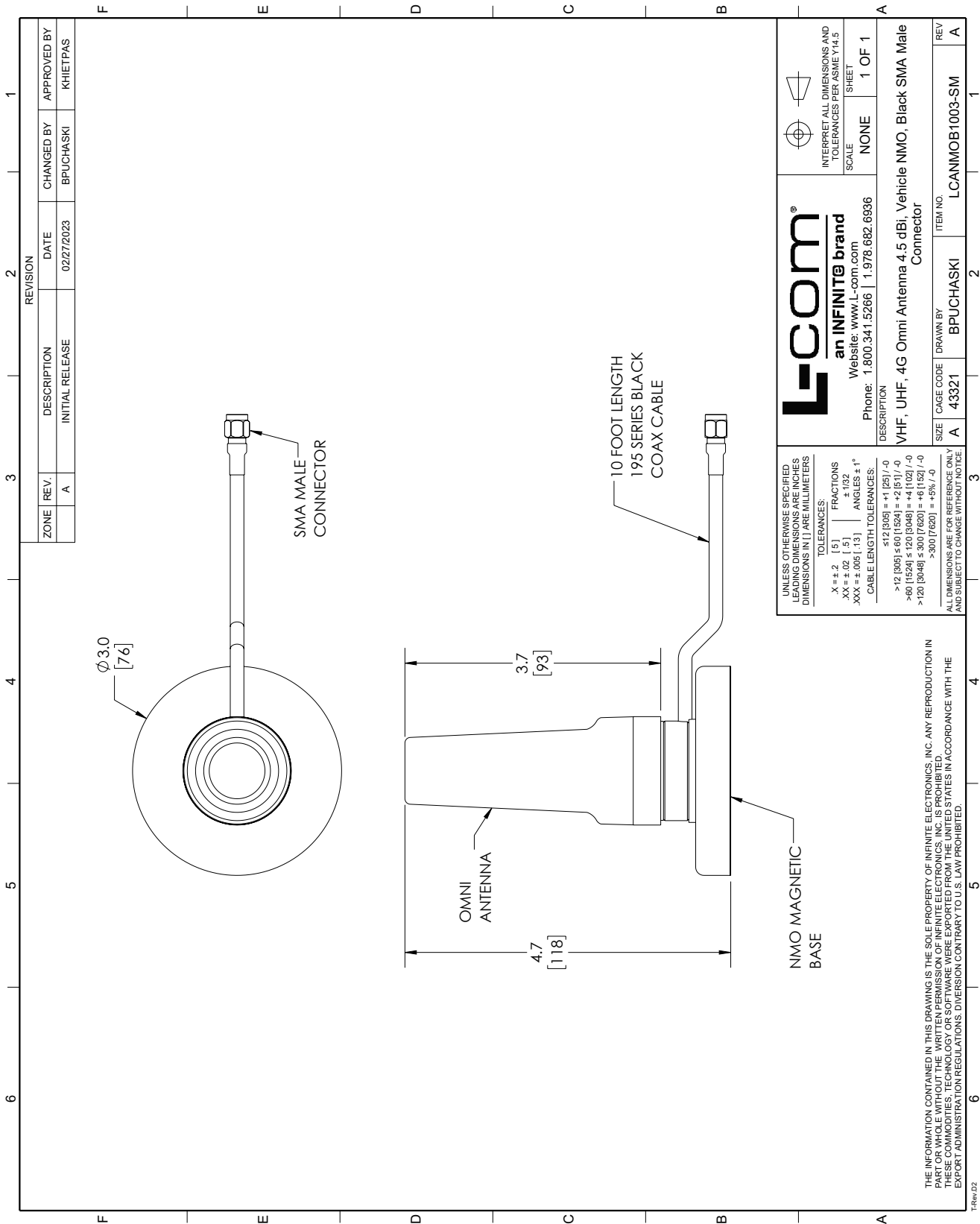
Notes:

136-940MHz, 4.5 dBi Gain, Omni-directional Antenna with Magnetic NMO Mount, SMA-Male Connector from L-com has same day shipment for domestic and International orders. Our portfolio includes coaxial cable assemblies, connectors, adapters and custom products as well as lightning and surge protectors, NEMA rated enclosures, and an RF product line which includes antennas, amplifiers, passive, and active components.

The information contained within this document is accurate to the best of our knowledge and representative of the part described herein. It may be necessary to make modifications to the part and/or the documentation of the part in order to impliment improvements. L-com reserves the right to make such changes as required. Unless otherwise stated, all specifications are nominal. L-com does not make any representation or warranty regarding the suitability of the part described herein for any particular purpose, and L-com does not assume liability arising out of the use of any part or document.

136-940MHz, 4.5 dBi Gain, Omni-directional Antenna with Magnetic NMO Mount, SMA-Male Connector

L-com CAD Drawing



ZONE		REVISION		APPROVED BY	
A	REV. A	INITIAL RELEASE	DATE	CHANGED BY	APPROVED BY
			02/27/2023	BPUCHASKI	KHIETPAS

L-com
an INFINITE brand
Website: www.L-com.com
Phone: 1.800.341.5266 | 1.978.682.6936

UNLESS OTHERWISE SPECIFIED LEADING DIMENSIONS ARE INCHES DIMENSIONS IN [] ARE MILLIMETERS

TOLERANCES:
 .X = ±.2 [5]
 .XX = ±.02 [5]
 .XXX = ±.005 [13]
 FRACTIONS ± 1/32
 ANGLES ± 1°

CABLE LENGTH TOLERANCES:
 ≤12 (305) = +1 (25) / -0
 >12 (305) ≤ 60 (1524) = +2 (51) / -0
 >60 (1524) ≤ 120 (3048) = +4 (102) / -0
 >120 (3048) ≤ 300 (7620) = +6 (152) / -0
 >300 (7620) = +5% / -0

ALL DIMENSIONS ARE FOR REFERENCE ONLY AND SUBJECT TO CHANGE WITHOUT NOTICE.

INTERPRET ALL DIMENSIONS AND TOLERANCES PER ASME Y14.5
SCALE NONE SHEET 1 OF 1

DESCRIPTION
VHF, UHF, 4G Omni Antenna 4.5 dBi, Vehicle NMO, Black SMA Male Connector

ITEM NO. LCMANMOB1003-SM
CAGE CODE 43321
DRAWN BY BPUCHASKI
REV A

THE INFORMATION CONTAINED IN THIS DRAWING IS THE SOLE PROPERTY OF INFINITE ELECTRONICS, INC. ANY REPRODUCTION IN PART OR WHOLE WITHOUT THE WRITTEN PERMISSION OF INFINITE ELECTRONICS, INC. IS PROHIBITED. THESE COMMODITIES, TECHNOLOGY OR SOFTWARE WERE EXPORTED FROM THE UNITED STATES IN ACCORDANCE WITH THE EXPORT ADMINISTRATION REGULATIONS. DIVERSION CONTRARY TO U.S. LAW PROHIBITED.