

617-7125 MHz, 2-5 dBi Gain, Omni-directional Antenna with Magnetic NMO Mount, SMA-Male Connector



## LCANMOB1002-SM

### Features

- Outdoor Rated Omni Directional Antenna
- 2-5 dBi Gain
- Easy to install magnetic mount offering temporary plug and play installation
- NMO Magnetic Mount, Black ABS Radome
- 2.5:1 VSWR Max
- 10 Foot, Black Low-Loss LMR195 Equivalent
- SMA-Male Connector

### Applications

- Infotainment systems, Routers, Wi-Fi hotspots, HD video transmission, Gateways, Dash cameras, Public transportation Safety Networks
- Connected cars or self driving cars, Fleet management, Logistics
- IoT, Industrial IoT, Zigbee, Bluetooth, Wi-Fi

### Description

The L-com LCANMOB1002-SM is an omnidirectional antenna with a magnetic NMO mount specifically designed for high-performance applications. This vertically polarized omni antenna with NMO mount is available in black color. Our high-quality antenna can operate at frequencies ranging from 617 to 7125 MHz, which is ideal for indoor low-profile, in-building, and mobile applications. This non-infrastructure antenna has a 5 dBi gain, which transmits high-power signals and faster speed. This vertically polarized omni antenna with NMO mount is available in white color.

The LCANMOB1002-SM in-building antenna from L-com features an NMO-type magnetic mount, which is ideal when the portability of the antenna is required. This NMO antenna mount is constructed with a heavy-duty magnet to ensure secure mounting. No drilling is required for the installation of this antenna mount, making it easy to fine-tune the antenna location. The magnetic base is easy to install and offers a temporary plug-and-play installation. Our magnetic mount comes with a SMA male connector and can be used for WLAN, Wi-Fi, public safety, and mobile RF applications.

L-com has one of the largest in-stock selection of omnidirectional antennas with same-day shipment. Use our on-line ordering system to purchase your LCANMOB1002-SM antenna 24 hours a day with same-day shipping and no MOQs (minimum order quantities). For further information on similar products, our expert technical support and knowledgeable sales team can help you get the ideal vertically polarized antenna with a magnetic NMO mount for your requirements.

### Configuration

Design	Omni
Band Type	Single
Radiation Pattern	Omni Directional
Polarization	Vertical
Connector Type	SMA
Number of Ports	1

### Electrical Specifications

Description	Minimum	Typical	Maximum	Units
Frequency Range	617		7,125	MHz
Input VSWR			1.5:1	

Click the following link (or enter part number in "SEARCH" on website) to obtain additional part information including price, inventory and certifications:  
[617-7125 MHz, 2-5 dBi Gain, Omni-directional Antenna with Magnetic NMO Mount, SMA-Male Connector LCANMOB1002-SM](#)

617-7125 MHz, 2-5 dBi Gain, Omni-directional Antenna with Magnetic NMO Mount, SMA-Male Connector



**LCANMOB1002-SM**

Gain	2	5	dBi
Input Power		100	Watts

**Mechanical Specifications**

**Size**

Length	4.95 in [125.73 mm]
Width	3 in [76.2 mm]
Height	3 in [76.2 mm]
Weight	1.25 lbs [566.99 g]

**Environmental Specifications**

**Compliance Certifications** (see [product page](#) for current document)

**Plotted and Other Data**

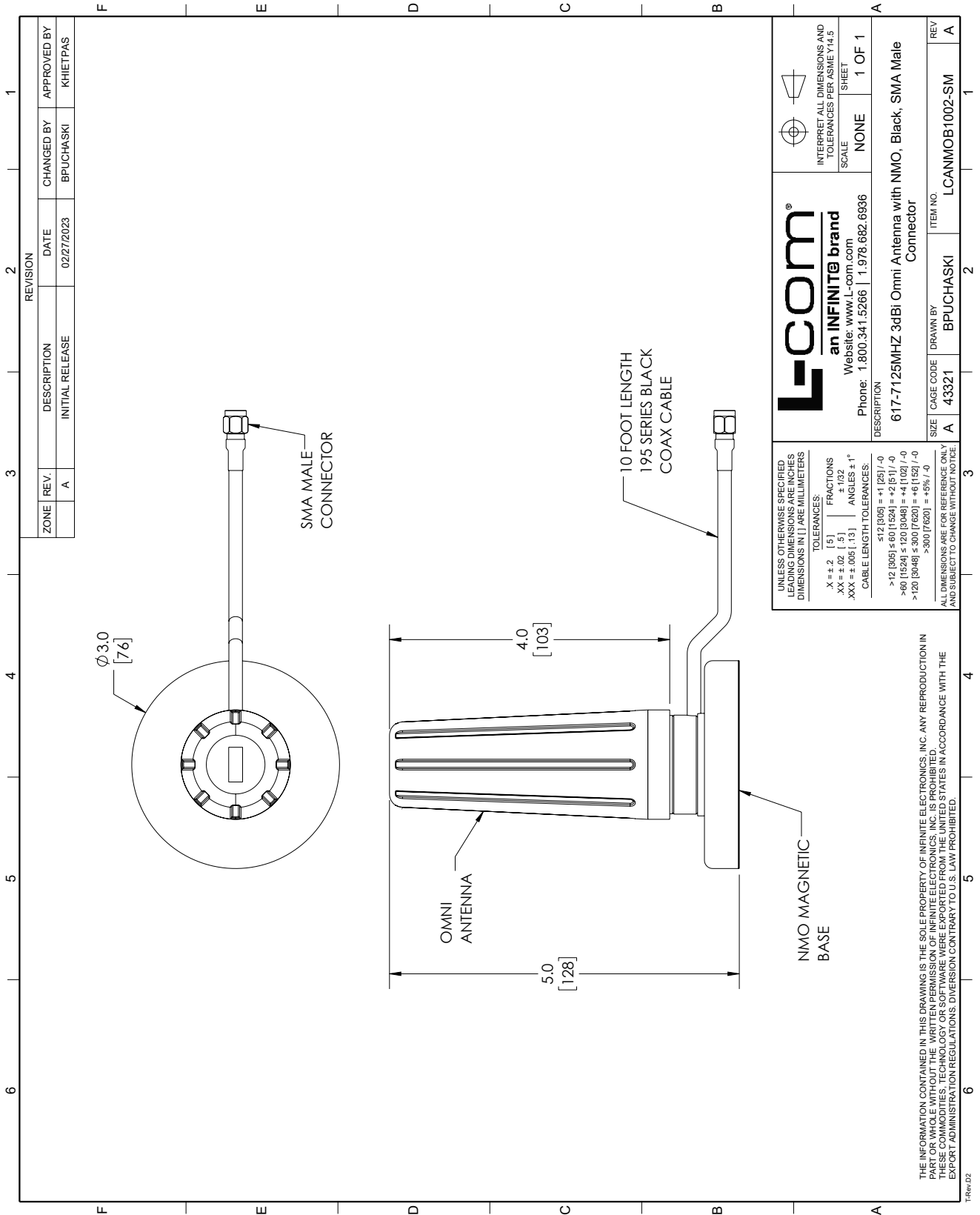
Notes:

617-7125 MHz, 2-5 dBi Gain, Omni-directional Antenna with Magnetic NMO Mount, SMA-Male Connector from L-com has same day shipment for domestic and International orders. Our portfolio includes coaxial cable assemblies, connectors, adapters and custom products as well as lightning and surge protectors, NEMA rated enclosures, and an RF product line which includes antennas, amplifiers, passive, and active components.

The information contained within this document is accurate to the best of our knowledge and representative of the part described herein. It may be necessary to make modifications to the part and/or the documentation of the part in order to impliment improvements. L-com reserves the right to make such changes as required. Unless otherwise stated, all specifications are nominal. L-com does not make any representation or warranty regarding the suitability of the part described herein for any particular purpose, and L-com does not assume liability arising out of the use of any part or document.

617-7125 MHz, 2-5 dBi Gain, Omni-directional Antenna with Magnetic NMO Mount, SMA-Male Connector

L-com CAD Drawing



ZONE		REVISION	
REV.	INITIAL RELEASE	DESCRIPTION	DATE
A			02/27/2023
APPROVED BY		CHANGED BY	
KHETPAS		BPUCHASKI	

**L-com**  
an INFINITE brand  
Website: www.L-com.com  
Phone: 1.800.341.5266 | 1.978.682.6936

INTERPRET ALL DIMENSIONS AND TOLERANCES PER ASME Y14.5  
SCALE: NONE  
SHEET: 1 OF 1

DESCRIPTION: 617-7125MHZ 3dBi Omni Antenna with NMO, Black, SMA Male Connector

SIZE	CAGE CODE	DRAWN BY	ITEM NO.
A	43321	BPUCHASKI	LCANMOB1002-SM

REV A

UNLESS OTHERWISE SPECIFIED LEADING DIMENSIONS ARE INCHES DIMENSIONS IN [ ] ARE MILLIMETERS

TOLERANCES:  
 .X = ±.2 [ 5 ] FRACTIONS  
 .XX = ±.02 [ .5 ] ±.1/32  
 .XXX = ±.005 [ .13 ] ANGLES ± 1°  
 CABLE LENGTH TOLERANCES:  
 ≤12 [305] = ±1 [25] /-0  
 >12 [305] ≤ 60 [1524] = ±2 [51] /-0  
 >60 [1524] ≤ 120 [3048] = ±4 [102] /-0  
 >120 [3048] ≤ 300 [7620] = ±6 [152] /-0  
 >300 [7620] = ±5% /-0

ALL DIMENSIONS ARE FOR REFERENCE ONLY AND SUBJECT TO CHANGE WITHOUT NOTICE.

THE INFORMATION CONTAINED IN THIS DRAWING IS THE SOLE PROPERTY OF INFINITE ELECTRONICS, INC. ANY REPRODUCTION IN PART OR WHOLE WITHOUT THE WRITTEN PERMISSION OF INFINITE ELECTRONICS, INC. IS PROHIBITED. THESE COMMODITIES, TECHNOLOGY OR SOFTWARE WERE EXPORTED FROM THE UNITED STATES IN ACCORDANCE WITH THE EXPORT ADMINISTRATION REGULATIONS. DIVERSION CONTRARY TO U.S. LAW PROHIBITED.

T-Rev 02