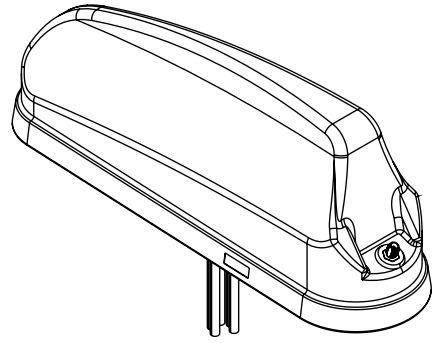
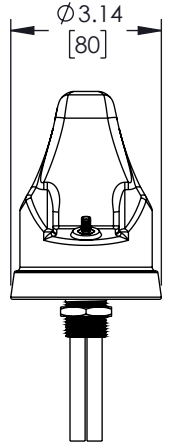
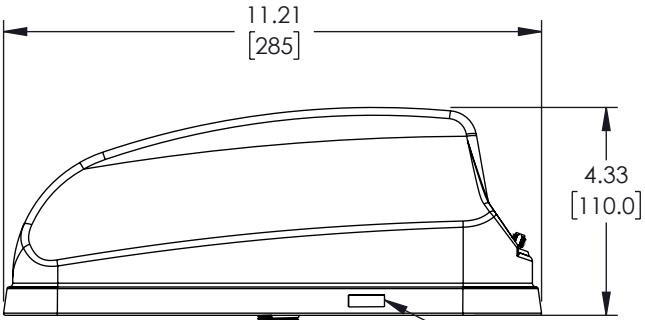
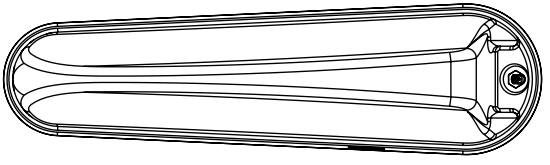


6 5 4 3 2 1

| REVISION | | | | | |
|----------|------|-----------------|------------|------------|-------------|
| ZONE | REV. | DESCRIPTION | DATE | CHANGED BY | APPROVED BY |
| | A | INITIAL RELEASE | 12/09/2022 | PSRINIVAS | KHIETPAS |



Bolt Mounting

.86 [21.8]

LABEL PER ILS-100-05 (SEE NOTE 1)

7 Leads
 2 x SMA Male - Cellular
 3 x RPSMA Male - WiFi
 1 x SMA Male - GPS
 1 x RPSMA - UHF/VHF/Multiband

NOTES:

1. LABEL PER ILS-100-05 (FOR INTERNAL USE ONLY). LABEL LOCATION SHOWN IS FOR REFERENCE ONLY.

REGULATORY COMPLIANCE:

EU RoHS DIRECTIVE (MOST RECENT RELEASED VERSION)

UNLESS OTHERWISE SPECIFIED LEADING DIMENSIONS ARE INCHES DIMENSIONS IN [] ARE MILLIMETERS

TOLERANCES:

| | |
|--------------------|------------------|
| .X = ±.2 [5] | FRACTIONS ± 1/32 |
| .XX = ±.02 [.5] | ANGLES ± 1° |
| .XXX = ±.005 [.13] | |

CABLE LENGTH TOLERANCES:

| |
|--|
| >12 [305] = +1 [25] / -0 |
| >12 [305] ≤ 60 [1524] = +2 [51] / -0 |
| >60 [1524] ≤ 120 [3048] = +4 [102] / -0 |
| >120 [3048] ≤ 300 [7620] = +6 [152] / -0 |
| >300 [7620] = +5% / -0 |

ALL DIMENSIONS ARE FOR REFERENCE ONLY AND SUBJECT TO CHANGE WITHOUT NOTICE.

L-com[®]
 an INFINIT[®] brand
 Website: www.L-com.com
 Phone: 1.800.341.5266 | 1.978.682.6936

| | |
|-------|--------|
| | |
| SCALE | SHEET |
| NONE | 1 OF 1 |

DESCRIPTION
 617-6000MHZ WIFI/GPS MULTIBAND SHARK FIN ANTENNA, 7 LEADS

| | | | | |
|------|-----------|-----------|-------------|-----|
| SIZE | CAGE CODE | DRAWN BY | ITEM NO. | REV |
| A | 43321 | PSRINIVAS | LCANMOB1000 | A |

THE INFORMATION CONTAINED IN THIS DRAWING IS THE SOLE PROPERTY OF INFINITE ELECTRONICS, INC. ANY REPRODUCTION IN PART OR WHOLE WITHOUT THE WRITTEN PERMISSION OF INFINITE ELECTRONICS, INC. IS PROHIBITED. THESE COMMODITIES, TECHNOLOGY OR SOFTWARE WERE EXPORTED FROM THE UNITED STATES IN ACCORDANCE WITH THE EXPORT ADMINISTRATION REGULATIONS. DIVERSION CONTRARY TO U.S. LAW PROHIBITED.