

617-960 MHz / 1710-2700 MHz, 10 dBi / 11 dBi, Log Periodic Antenna, V-pol, Dual Band, High gain, Type N Female Connector



LCANLP1003

Features

- Frequency coverage for 617 MHz to 2700 MHz
- Very High Gain 11 dBi Directional Antenna
- Each connector covers wide band of frequencies
- Easy Install universal mounting bracket provided
- Weatherproof ABS – UV Resistance PVC radome
- Pigtail – 12 inches
- N-Type Female connector

Applications

- Point-to-point, LPWAN, LoRA, LTE-M, NB-IoT, IoT, M2M applications
- 5G / 4G LTE B1 to B10, B12 to B20, B23, B24, B25, B28 / 3G / GSM / AWS / WLAN operation
- 5G Bands supported
- DAS (Distributed Antenna Systems)
- IEEE 802.11a / b / g / n / ac / ad / ah / ax Wi-Fi applications
- Public safety, utilities, CCTV and local radio coverage
- Smart cities expansion for coverage and IOT / IIOT

Description

The L-com LCANLP1003 is a high performance, wideband log periodic antenna designed to operate from 617 to 2700 MHz for point to point communications. The LCANLP1003 from L-com has 11 dBi of gain and can be used for long distance directional communication over a wide range of frequencies. The LCANLP1003 is ideal for boosting 5G, LTE, CMDA, LoRA, IoT, WIFI.

The log periodic LCANLP1003 has 50 vertical beamwidth and 75 horizontal beamwidth. This antenna has Vertical polarization and the included mounting brackets allow for either vertical or horizontal mounting configurations. Log periodic antennas function as boosters where the existing cellular signal is weak and needs to reach further distances. The L-com directional antenna has a 12 inches long pigtail terminated with 1 Type N Female connector.

L-com's 617 to 2700 MHz log periodic LCANLP1003 antenna with 11 dBi max gain for 5G DAS networks operates in bands n1, n2, n3, n5, n7, n8, n12, n13, n14, n18, n20, n25, n26, n28, n29, n30, n34, n38, n39, n40, n41, n53, n65, n66, n67, n67, n70, n71, n80, n81, n82, n83, n84, n85, n86, n89, n90, n91, n92, n93, n94, n95, n97, n98. This 5G directional log periodic antenna with N Female Type connector is in stock and ready to ship the same day. Contact our knowledgeable and friendly technical support and sales staff for your answers on antennas or other L-com products.

Configuration

Design	Log Periodic
Band Type	Multi
Radiation Pattern	Directional
Polarization	Vertical
Cable Type	RG58/U
Cable Length	11.81 in [299.97 mm]
Connector Type	N Female
Number of Ports	1

Electrical Specifications

Description	Minimum	Typical	Maximum	Units
Frequency Range	617		2,700	MHz

Click the following link (or enter part number in "SEARCH" on website) to obtain additional part information including price, inventory and certifications:
[617-960 MHz / 1710-2700 MHz, 10 dBi / 11 dBi, Log Periodic Antenna, V-pol, Dual Band, High gain, Type N Female Connector LCANLP1003](#)

617-960 MHz / 1710-2700 MHz, 10 dBi / 11 dBi, Log Periodic Antenna, V-pol, Dual Band, High gain, Type N Female Connector



LCANLP1003

Input VSWR	1.5:1	2:1	
Impedance	50		Ohms
Gain	10	11	dBi
Input Power		50	Watts

Specifications by Band

Description	Band 1	Band 2	Band 3	Band 4	Band 5	Units
Range	0.617 to 0.698	0.698 to 0.96	1.71 to 2.7			GHz
Gain	10	10	11			dBi
Horizontal HPBW	75	75	60			Degrees
Vertical HPBW	50	50	40			Degrees
Front to Back Ratio	18	18	20			dB
VSWR Max	2:1	2:1	1.5:1			
Maximum Input Power	50	50	50			Watts

Mechanical Specifications

Radome Material	ABS
Size	
Length	17.52 in [445.01 mm]
Width	8.07 in [204.98 mm]
Height	1.49 in [37.85 mm]
Mounting Mast Diameter	1.57 to 1.97 in [39.88 to 50.04 mm]
Weight	1.1 lbs [498.95 g]

Environmental Specifications

Temperature	
Operating Range	-40 to +70 deg C
Wind Survivability	150 MPH [241.4 KPH]
Wind Loading	23.5 lbs at 100 MPH 36.2 lbs at 125 MPH
Humidity	5 to 95

Compliance Certifications (see [product page](#) for current document)

Plotted and Other Data

Notes:

617-960 MHz / 1710-2700 MHz, 10 dBi / 11 dBi, Log Periodic Antenna, V-pol, Dual Band, High gain, Type N Female Connector



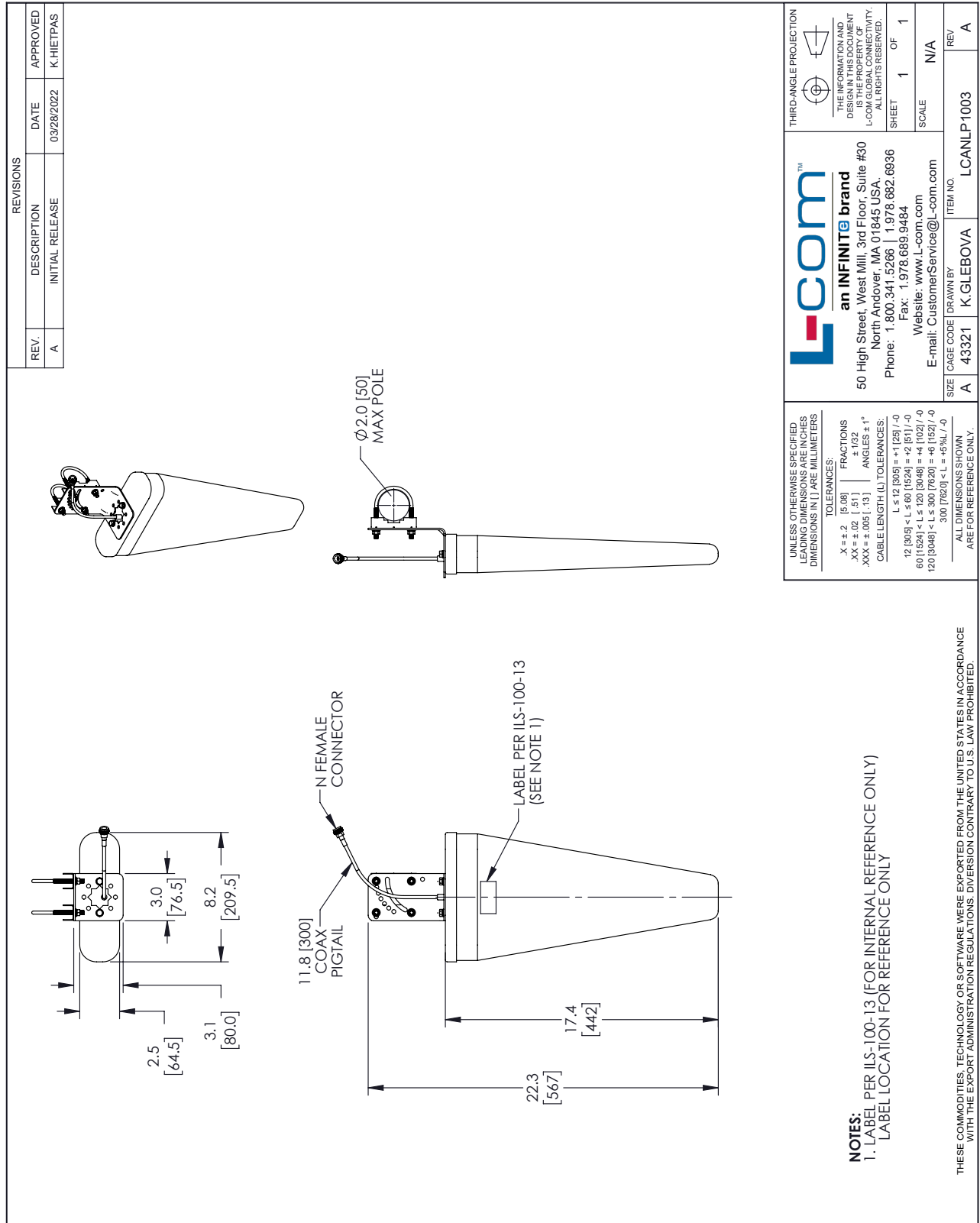
LCANLP1003

617-960 MHz / 1710-2700 MHz, 10 dBi / 11 dBi, Log Periodic Antenna, V-pol, Dual Band, High gain, Type N Female Connector from L-com has same day shipment for domestic and International orders. Our portfolio includes coaxial cable assemblies, connectors, adapters and custom products as well as lightning and surge protectors, NEMA rated enclosures, and an RF product line which includes antennas, amplifiers, passive, and active components.

The information contained within this document is accurate to the best of our knowledge and representative of the part described herein. It may be necessary to make modifications to the part and/or the documentation of the part in order to impliment improvements. L-com reserves the right to make such changes as required. Unless otherwise stated, all specifications are nominal. L-com does not make any representation or warranty regarding the suitability of the part described herein for any particular purpose, and L-com does not assume liability arising out of the use of any part or document.

617-960 MHz / 1710-2700 MHz, 10 dBi / 11 dBi, Log Periodic Antenna,
V-pol, Dual Band, High gain, Type N Female Connector

L-com CAD Drawing



REVISIONS		
REV.	DESCRIPTION	DATE
A	INITIAL RELEASE	03/28/2022
		APPROVED
		K.HIETPAS

UNLESS OTHERWISE SPECIFIED LEADING DIMENSIONS ARE IN INCHES DIMENSIONS IN [] ARE MILLIMETERS

TOLERANCES:

.X = ±.2 [5.08]	FRACTIONS ± 1/32
.XX = ±.02 [.51]	ANGLES ± 1°
.XXX = ±.005 [.13]	

CABLE LENGTH (L) TOLERANCES:

L ≤ 12 [305]	±.125 [-0]
12 [305] < L ≤ 60 [1524]	±.25 [-0]
60 [1524] < L ≤ 120 [3048]	±.5 [-0]
120 [3048] < L ≤ 300 [7620]	±.75 [-0]
300 [7620] < L	±.5% [-0]

ALL DIMENSIONS SHOWN ARE FOR REFERENCE ONLY.

THIRD-ANGLE PROJECTION

THE INFORMATION AND DIMENSIONS CONTAINED HEREIN IS THE PROPERTY OF L-COM GLOBAL CONNECTIVITY. ALL RIGHTS RESERVED.

SHEET 1 OF 1

SCALE N/A

an INFINITE brand

50 High Street, West Mill, 3rd Floor, Suite #30
North Andover, MA 01845, USA.
Phone: 1.800.341.5266 | 1.978.682.6936
Fax: 1.978.689.9484
Website: www.L-com.com
E-mail: CustomerService@L-com.com

SIZE A CAGE CODE 43321 DRAWN BY K.GLEBOVA ITEM NO. L-CANLP1003 REV A

NOTES:
1. LABEL PER ILS-100-13 (FOR INTERNAL REFERENCE ONLY)
LABEL LOCATION FOR REFERENCE ONLY

THESE COMMODITIES, TECHNOLOGY OR SOFTWARE WERE EXPORTED FROM THE UNITED STATES IN ACCORDANCE WITH THE EXPORT ADMINISTRATION REGULATIONS. DIVERSION CONTRARY TO U.S. LAW PROHIBITED.

T-Rev.D