

902 to 928 MHz, RFID Flat Panel Antenna, 5 dBi Gain, Type N Male, EVA Radome, RHCP



LCANFP1067

Features

- High Performance Multi-tag read/write Capabilities
- Lightweight, Concealable Design
- Right Hand Circular Polarized
- 902 to 928 MHz Frequency Range
- 2 Meter Cable
- Type N Male Connector

Applications

- Radio Frequency Identification
- Inventory Management
- Access Control
- Data Collection
- Asset Tracking
- Livestock Management

Description

L-Com's LCANFP1067 is a RHCP RFID flat panel antenna. The LCANFP1067 with a 5 dBi gain nominal is a Directional antenna. Our 902 to 928 MHz antenna has N Male connector.

With an impedance of 50 Ohms and max input power of 20 Watts, the LCANFP1067 flat panel RHCP antenna is well suited for Radio Frequency Identification tag reading applications. This 902-928 MHz 5 dBi gain RFID antenna is highly directional providing the reader radio the capabilities of simultaneously reading a multitude of RFID tags with a high degree of accuracy.

L-Com's RFID LCANFP1067 has a radome made of EVA in Black color and comes from a facility certified to ISO 9001:2015. This N Male connected Antenna has an overall length of 20 in, width of 13.7 in, and weighs 1 lbs. Use our on-line ordering system to purchase your LCANFP1067 RFID Directional RHCP antenna 24 hours a day with same-day shipping and no MOQs (minimum order quantities).

Configuration

Design	Flat Panel
Application Band	RFID
Band Type	Single
Radiation Pattern	Directional
Polarization	RHCP
Cable Type	RG316
Connector Type	N Male
Lightning Protection	DC Grounded

Electrical Specifications

Description	Minimum	Typical	Maximum	Units
Frequency Range	902		928	MHz
Input VSWR			1.5:1	
Impedance		50		Ohms
Gain		5		dBi
Front to Back Ratio	20			dB
Horizontal (Azimuth) HPBW		45		Degrees

Click the following link (or enter part number in "SEARCH" on website) to obtain additional part information including price, inventory and certifications:
[902 to 928 MHz, RFID Flat Panel Antenna, 5 dBi Gain, Type N Male, EVA Radome, RHCP LCANFP1067](#)

902 to 928 MHz, RFID Flat Panel Antenna, 5 dBi Gain, Type N Male, EVA Radome, RHCP



LCANFP1067

Vertical (Elevation) HPBW	30	Degrees
Input Power	20	Watts

Mechanical Specifications

Radome Material	EVA
Size	
Length	20 in [508 mm]
Width	13.7 in [347.98 mm]
Height	0.19 in [4.83 mm]
Weight	1 lbs [453.59 g]

Connectors

Description	Connector 1	Connector 2	Connector 3
A	B	C	D
Body Material and Plating	Brass, Nickel		

Environmental Specifications

Temperature	
Operating Range	-20 to +65 deg C

Compliance Certifications (see [product page](#) for current document)

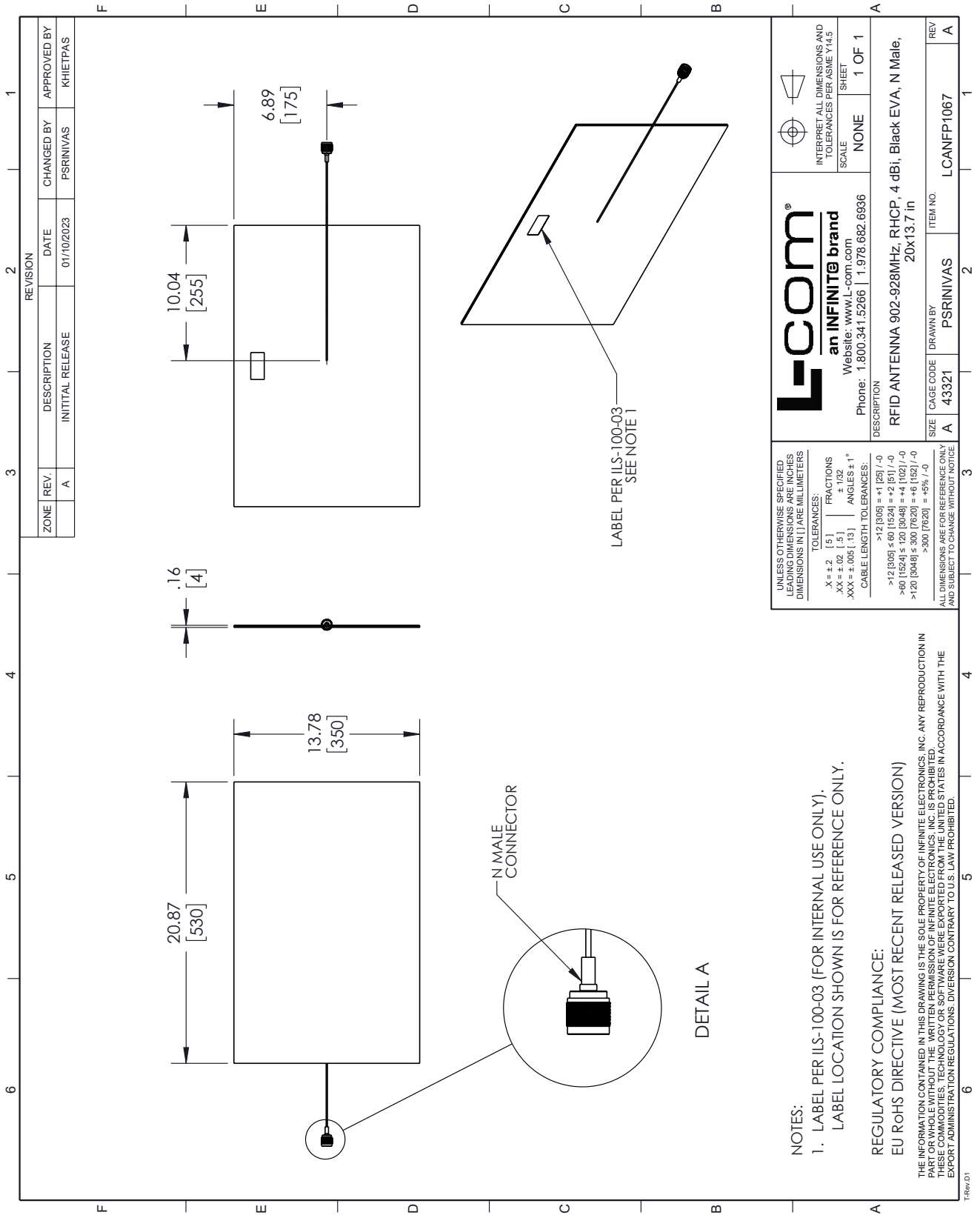
Plotted and Other Data

Notes:

902 to 928 MHz, RFID Flat Panel Antenna, 5 dBi Gain, Type N Male, EVA Radome, RHCP from L-com has same day shipment for domestic and International orders. Our portfolio includes coaxial cable assemblies, connectors, adapters and custom products as well as lightning and surge protectors, NEMA rated enclosures, and an RF product line which includes antennas, amplifiers, passive, and active components.

The information contained within this document is accurate to the best of our knowledge and representative of the part described herein. It may be necessary to make modifications to the part and/or the documentation of the part in order to impliment improvements. L-com reserves the right to make such changes as required. Unless otherwise stated, all specifications are nominal. L-com does not make any representation or warranty regarding the suitability of the part described herein for any particular purpose, and L-com does not assume liability arising out of the use of any part or document.

L-com CAD Drawing



L-com an INFINITE brand Website: www.l-com.com Phone: 1.800.341.5266 1.978.682.6936		INTERPRET ALL DIMENSIONS AND TOLERANCES PER ASME Y14.5 SCALE: NONE SHEET: 1 OF 1
DESCRIPTION: RFID ANTENNA 902-928MHz, RHCP, 4 dBi, Black EVA, N Male, 20x13.7 in		
SIZE: A	CAGE CODE: 43321	DRAWN BY: PSRNIVAS
ITEM NO.: LCANFP1067	REV: A	SHEET: 1 OF 1

UNLESS OTHERWISE SPECIFIED LEADING DIMENSIONS ARE IN INCHES DIMENSIONS IN [] ARE MILLIMETERS

TOLERANCES:
 .X = ±.2 [5]
 .XX = ±.02 [.5]
 .XXX = ±.005 [0.13]

FRACTIONS: ± 1/32
 ANGLES: ± 1°

CABLE LENGTH TOLERANCES:
 >12 [305] = +1 [25] / -0
 >12 [305] ≤ 60 [1524] = +2 [51] / -0
 >60 [1524] ≤ 120 [3048] = +4 [102] / -0
 >120 [3048] ≤ 300 [7620] = +6 [152] / -0
 >300 [7620] = +5% / -0

ALL DIMENSIONS ARE FOR REFERENCE ONLY AND SUBJECT TO CHANGE WITHOUT NOTICE

NOTES:
 1. LABEL PER ILS-100-03 (FOR INTERNAL USE ONLY). LABEL LOCATION SHOWN IS FOR REFERENCE ONLY.

REGULATORY COMPLIANCE:
 EU ROHS DIRECTIVE (MOST RECENT RELEASED VERSION)

THE INFORMATION CONTAINED IN THIS DRAWING IS THE SOLE PROPERTY OF INFINITE ELECTRONICS, INC. ANY REPRODUCTION IN PART OR WHOLE WITHOUT THE WRITTEN PERMISSION OF INFINITE ELECTRONICS, INC. IS PROHIBITED. EXPORT ADMINISTRATION REGULATIONS CONTRARY TO U.S. LAW PROHIBITED.