

902 to 928 MHz, RFID Flat Panel Antenna, 10 dBi Gain SMA Male, PVC Radome, RHCP



LCANFP1052

Features

- High Performance Multi-tag read/write Capabilities
- Concealable Design
- Right Hand Circular Polarized
- 902 to 928 MHz Frequency Range
- 2 Meter Cable
- SMA Male Connector

Applications

- Radio Frequency Identification
- Inventory Management
- Access Control
- Data Collection
- Asset Tracking
- Livestock Management

Description

L-Com's LCANFP1052 is a RHCP RFID flat panel antenna. The LCANFP1052 with a 10 dBi gain nominal is a Directional antenna. Our 902 to 928 MHz antenna has SMA Male connector.

With an impedance of 50 Ohms and max input power of 20 Watts, the LCANFP1052 flat panel RHCP antenna is well suited for Radio Frequency Identification tag reading applications. This 902-928 MHz 10 dBi gain RFID antenna is highly directional providing the reader radio the capabilities of simultaneously reading a multitude of RFID tags with a high degree of accuracy.

L-Com's RFID LCANFP1052 has a radome made of PVC in White color and comes from a facility certified to ISO 9001:2015. This SMA Male connectized Antenna has an overall length of 18 in, width of 6 in, and weighs 2.42 lbs. Use our on-line ordering system to purchase your LCANFP1052 RFID Directional RHCP antenna 24 hours a day with same-day shipping and no MOQs (minimum order quantities).

Configuration

Design	Flat Panel
Application Band	RFID
Band Type	Single
Radiation Pattern	Directional
Polarization	RHCP
Cable Type	RG142
Connector Type	SMA Male
Connector Type Specification	MIL-STD-348A
Lightning Protection	DC Grounded

Electrical Specifications

Description	Minimum	Typical	Maximum	Units
Frequency Range	902		928	MHz
Input VSWR			1.3:1	
Impedance		50		Ohms
Gain		10		dBi
Front to Back Ratio	15			dB

Click the following link (or enter part number in "SEARCH" on website) to obtain additional part information including price, inventory and certifications:
[902 to 928 MHz, RFID Flat Panel Antenna, 10 dBi Gain SMA Male, PVC Radome, RHCP LCANFP1052](#)

902 to 928 MHz, RFID Flat Panel Antenna, 10 dBi Gain SMA Male, PVC Radome, RHCP



LCANFP1052

Horizontal (Azimuth) HPBW	80	Degrees
Vertical (Elevation) HPBW	30	Degrees
Input Power	20	Watts

Mechanical Specifications

Radome Material	PVC
Size	
Length	18 in [457.2 mm]
Width	6 in [152.4 mm]
Height	1 in [25.4 mm]
Weight	2.42 lbs [1.1 kg]

Connectors

Description	Connector 1 B	Connector 2 C	Connector 3 D
Inner Conductor Material and Plating	Brass, Gold		
Inner Conductor Plating Specification	50 µin minimum		
Coupling Nut Material and Plating	Brass, Nickel		
Coupling Nut Plating Specification	100 µin minimum		
Hex Size	5/16 inch		
Body Material and Plating	Brass, Nickel		
Body Plating Specification	100 µin minimum		

Environmental Specifications

Temperature	
Operating Range	-40 to +60 deg C

Compliance Certifications (see [product page](#) for current document)

Plotted and Other Data

Notes:

902 to 928 MHz, RFID Flat Panel Antenna, 10 dBi Gain SMA Male, PVC Radome, RHCP from L-com has same day shipment for domestic and International orders. Our portfolio includes coaxial cable assemblies, connectors, adapters and custom products as well as lightning and surge protectors, NEMA rated enclosures, and an RF product line which includes antennas, amplifiers, passive, and

902 to 928 MHz, RFID Flat Panel Antenna, 10 dBi
Gain SMA Male, PVC Radome, RHCP

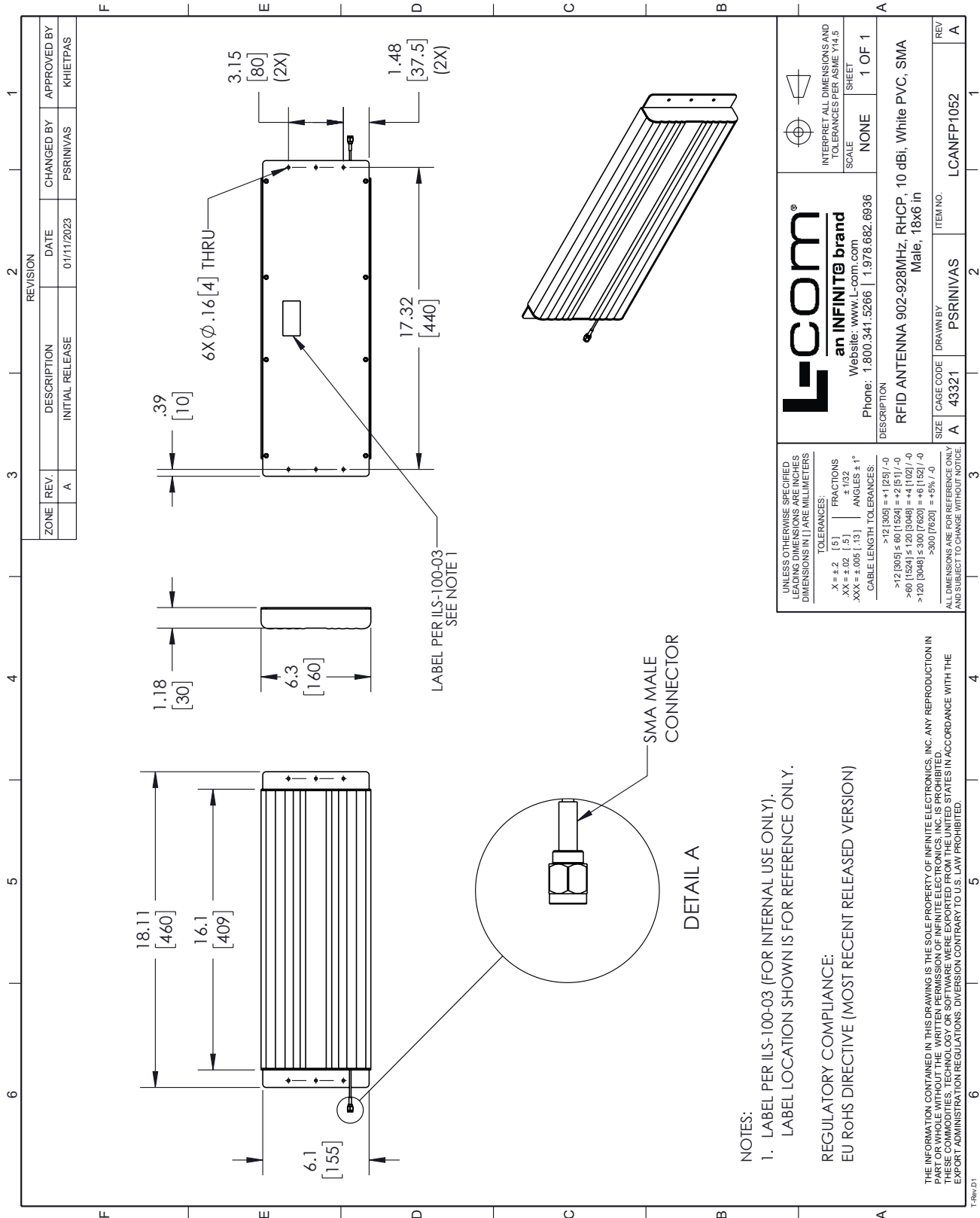


LCANFP1052

active components.

The information contained within this document is accurate to the best of our knowledge and representative of the part described herein. It may be necessary to make modifications to the part and/or the documentation of the part in order to implement improvements. L-com reserves the right to make such changes as required. Unless otherwise stated, all specifications are nominal. L-com does not make any representation or warranty regarding the suitability of the part described herein for any particular purpose, and L-com does not assume liability arising out of the use of any part or document.

L-com CAD Drawing



NOTES:
 1. LABEL PER ILS-100-03 (FOR INTERNAL USE ONLY).
 LABEL LOCATION SHOWN IS FOR REFERENCE ONLY.
 REGULATORY COMPLIANCE:
 EU RoHS DIRECTIVE (MOST RECENT RELEASED VERSION)

THE INFORMATION CONTAINED IN THIS DRAWING IS THE SOLE PROPERTY OF INFINITE ELECTRONICS, INC. ANY REPRODUCTION IN PART OR WHOLE WITHOUT THE WRITTEN PERMISSION OF INFINITE ELECTRONICS, INC. IS PROHIBITED. THESE COMMODITIES, TECHNOLOGY OR SOFTWARE WERE EXPORTED FROM THE UNITED STATES IN ACCORDANCE WITH THE EXPORT ADMINISTRATION REGULATIONS. DIVERSION CONTRARY TO U.S. LAW PROHIBITED.