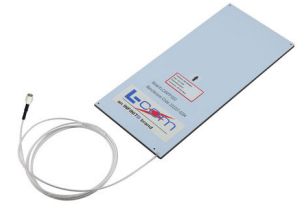


902 to 928 MHz, RFID Flat Panel Antenna, 1.5 dBi Gain SMA Male, EVA Radome, RHCP



## LCANFP1047

### Features

- High Performance Multi-tag read/write Capabilities
- Lightweight, Concealable Design
- Right Hand Circular Polarized
- 902 to 928 MHz Frequency Range
- 2 Meter Cable
- SMA Male Connector

### Applications

- Radio Frequency Identification
- Inventory Management
- Access Control
- Data Collection
- Asset Tracking
- Livestock Management

### Description

L-Com's LCANFP1047 is a RHCP RFID flat panel antenna. The LCANFP1047 with a 1.5 dBi gain nominal is a Directional antenna. Our 902 to 928 MHz antenna has SMA Male connector.

With an impedance of 50 Ohms and max input power of 20 Watts, the LCANFP1047 flat panel RHCP antenna is well suited for Radio Frequency Identification tag reading applications. This 902-928 MHz 1.5 dBi gain RFID antenna is highly directional providing the reader radio the capabilities of simultaneously reading a multitude of RFID tags with a high degree of accuracy.

L-Com's RFID LCANFP1047 has a radome made of EVA in Black color and comes from a facility certified to ISO 9001:2015. This SMA Male connectized Antenna has an overall length of 11 in, width of 5 in, and weighs 0.2866 lbs. Use our on-line ordering system to purchase your LCANFP1047 RFID Directional RHCP antenna 24 hours a day with same-day shipping and no MOQs (minimum order quantities).

### Configuration

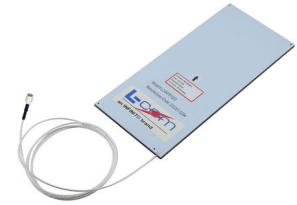
Design	Flat Panel
Application Band	RFID
Band Type	Single
Radiation Pattern	Directional
Polarization	RHCP
Cable Type	RG316
Connector Type	SMA Male
Connector Type Specification	MIL-STD-348A
Lightning Protection	DC Grounded

### Electrical Specifications

Description	Minimum	Typical	Maximum	Units
Frequency Range	902		928	MHz
Input VSWR			1.5:1	
Impedance		50		Ohms
Gain		1.5		dBi
Front to Back Ratio	20			dB

Click the following link (or enter part number in "SEARCH" on website) to obtain additional part information including price, inventory and certifications:  
[902 to 928 MHz, RFID Flat Panel Antenna, 1.5 dBi Gain SMA Male, EVA Radome, RHCP LCANFP1047](#)

902 to 928 MHz, RFID Flat Panel Antenna, 1.5 dBi Gain SMA Male, EVA Radome, RHCP



## LCANFP1047

Horizontal (Azimuth) HPBW	100	Degrees
Vertical (Elevation) HPBW	58	Degrees
Input Power	20	Watts

### Mechanical Specifications

Radome Material	EVA
<b>Size</b>	
Length	11 in [279.4 mm]
Width	5 in [127 mm]
Height	0.19 in [4.83 mm]
Weight	0.2866 lbs [130 g]

### Connectors

Description	Connector 1	Connector 2	Connector 3
A	B	C	D
Inner Conductor Material and Plating	Brass, Gold		
Inner Conductor Plating Specification	30 µin minimum		
Coupling Nut Material and Plating	Brass, Nickel		
Coupling Nut Plating Specification	100 µin minimum		
Hex Size	5/16 inch		
Body Material and Plating	Brass, Nickel		
Body Plating Specification	100 µin minimum		

### Environmental Specifications

<b>Temperature</b>	
Operating Range	-20 to +65 deg C

**Compliance Certifications** (see [product page](#) for current document)

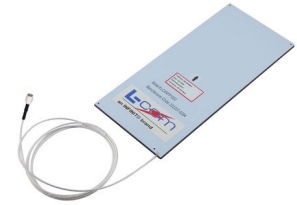
### Plotted and Other Data

Notes:

902 to 928 MHz, RFID Flat Panel Antenna, 1.5 dBi Gain SMA Male, EVA Radome, RHCP from L-com has same day shipment for domestic and International orders. Our portfolio includes coaxial cable assemblies, connectors, adapters and custom products as well as lightning and surge protectors, NEMA rated enclosures, and an RF product line which includes antennas, amplifiers, passive, and

902 to 928 MHz, RFID Flat Panel Antenna, 1.5 dBi  
Gain SMA Male, EVA Radome, RHCP

## LCANFP1047

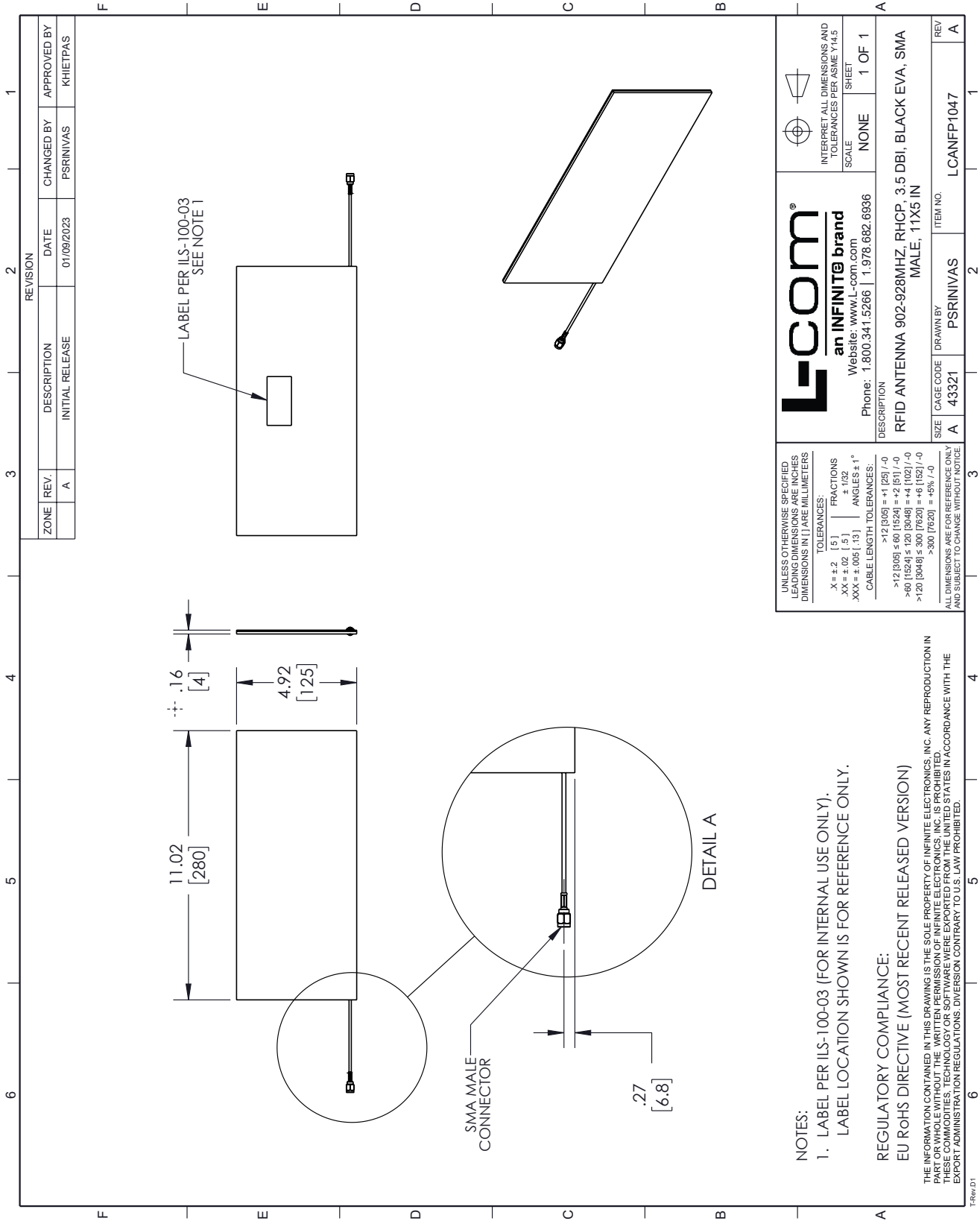


---

active components.

The information contained within this document is accurate to the best of our knowledge and representative of the part described herein. It may be necessary to make modifications to the part and/or the documentation of the part in order to impliment improvements. L-com reserves the right to make such changes as required. Unless otherwise stated, all specifications are nominal. L-com does not make any representation or warranty regarding the suitability of the part described herein for any particular purpose, and L-com does not assume liability arising out of the use of any part or document.

L-com CAD Drawing



REVISION		DESCRIPTION	DATE	CHANGED BY	APPROVED BY
ZONE	REV.	INITIAL RELEASE	01/09/2023	PSRNIVAS	KHIETPAS
	A				

**L-com**  
an INFINITE brand  
Website: www.l-com.com  
Phone: 1.800.341.5266 | 1.978.682.6936

INTERPRET ALL DIMENSIONS AND TOLERANCES PER ASME Y14.5  
SCALE: NONE  
SHEET: 1 OF 1

DESCRIPTION: RFID ANTENNA 902-928MHZ, RHCP, 3.5 DBI, BLACK EVA, SMA MALE, 11X5 IN

SIZE	CAGE CODE	DRAWN BY	ITEM NO.
A	43321	PSRNIVAS	LCANFP1047

UNLESS OTHERWISE SPECIFIED LEADING DIMENSIONS ARE INCHES DIMENSIONS IN [ ] ARE MILLIMETERS

TOLERANCES:  
 .X = ±.2 [5]      FRACTIONS ± 1/32  
 .XX = ±.02 [5]      ANGLES ± 1°  
 .XXX = ±.005 [13]      CABLE LENGTH TOLERANCES:  
     >12 [305] = +1 [25] / -0  
     >12 [305] ≤ 60 [1524] = +2 [51] / -0  
     >60 [1524] ≤ 120 [3048] = +4 [102] / -0  
     >120 [3048] ≤ 300 [7620] = +6 [152] / -0  
     >300 [7620] = +5% / -0

ALL DIMENSIONS ARE FOR REFERENCE ONLY AND SUBJECT TO CHANGE WITHOUT NOTICE

NOTES:  
 1. LABEL PER ILS-100-03 (FOR INTERNAL USE ONLY). LABEL LOCATION SHOWN IS FOR REFERENCE ONLY.

REGULATORY COMPLIANCE:  
 EU ROHS DIRECTIVE (MOST RECENT RELEASED VERSION)

THE INFORMATION CONTAINED IN THIS DRAWING IS THE SOLE PROPERTY OF INFINITE ELECTRONICS, INC. ANY REPRODUCTION IN PART OR WHOLE WITHOUT THE WRITTEN PERMISSION OF INFINITE ELECTRONICS, INC. IS PROHIBITED. INFINITE ELECTRONICS, INC. IS NOT RESPONSIBLE FOR ANY VIOLATIONS OF EXPORT ADMINISTRATION REGULATIONS CONTRARY TO U.S. LAW PROHIBITED.