

2400-2500, 5150-5850, 6000-7125 MHz Flat Panel MIMO Antenna, 11 dBi Gain, 8 RP SMA Male Connectors



## LCANFP1043

### Features

- Reverse Polarity SMA (RP-SMA) Male Connector
- 8 x Vertical Polarization
- 8x8 MIMO Functionality
- Outdoor Rated Flat Panel Antenna
- 2.4 GHz, 5 GHz, 6 GHz Wi-Fi Bands
- 11 dBi gain

### Applications

- Infotainment systems, Routers, Wi-Fi hotspots, HD video transmission, Gateways, Dash cameras, Public transportation
- Connected cars or self-driving cars, Fleet management, Logistics
- Public Safety Networks
- Zigbee, Bluetooth, Wi-Fi

### Description

The LCANFP1043 Wi-Fi 6e Antenna from L-com is a high performance directional antenna designed for the 2400 MHz to 7125 MHz bands and is available to ship same day. It is a UV protected, outdoor rated antenna with directional pattern. The LCANFP1043 is ideally suited for 802.11 protocols including 802.11ax as well as Zigbee, Bluetooth and is 8x8 MIMO capable.

The L-com high performance LCANFP1043 is a rugged antenna providing broad coverage, low latency, increased network capacity and 11 dBi gain. This 8 port RPSMA Male directional antenna is suitable for commercial radios and access points in public and private networks that are equipped with Reverse Polarity SMA Type connectors.

This Wi-Fi 6e LCANFP1043 antenna with 8 RPSMA Male connectors, as well as our wide selection of superior quality RF parts, ships same day. Contact our knowledgeable and friendly technical support and sales staff for your answers on antennas or other L-com products.

### Configuration

Design	Flat Panel
Application Band	Wi-Fi 6E
Band Type	Multi
Radiation Pattern	Directional
Polarization	Vertical
Cable Type	RG58/U
Cable Length	36 in [914.4 mm]
Connector Type	SMA Male Reverse Polarity
Number of Ports	8
Lightning Protection	DC Ground

### Electrical Specifications

Description	Minimum	Typical	Maximum	Units
Frequency Range	2,400		7,125	MHz
Input VSWR			2:1	
Impedance		50		Ohms
Input Power			50	Watts

Click the following link (or enter part number in "SEARCH" on website) to obtain additional part information including price, inventory and certifications: [2400-2500, 5150-5850, 6000-7125 MHz Flat Panel MIMO Antenna, 11 dBi Gain, 8 RP SMA Male Connectors LCANFP1043](#)

2400-2500, 5150-5850, 6000-7125 MHz Flat Panel MIMO Antenna, 11 dBi Gain, 8 RP SMA Male Connectors



## LCANFP1043

### Specifications by Band

Description	Band 1	Band 2	Band 3	Band 4	Band 5	Units
Range	2.4 to 2.5	5.15 to 5.85	6 to 7.125			GHz
Gain	9	11	11			dBi
Horizontal HPBW	120	115	110			Degrees
Vertical HPBW	28	15	12			Degrees
Port Isolation	20	25	25			dB
Front to Back Ratio	25	25	25			dB

### Mechanical Specifications

Radome Material	UV Resistant ABS
<b>Size</b>	
Length	24.25 in [615.95 mm]
Width	19 in [482.6 mm]
Height	2.55 in [64.77 mm]
Weight	13.5 lbs [6.12 kg]
Color	White

### Environmental Specifications

<b>Temperature</b>	
Operating Range	-40 to +70 deg C
Humidity	5 to 95

**Compliance Certifications** (see [product page](#) for current document)

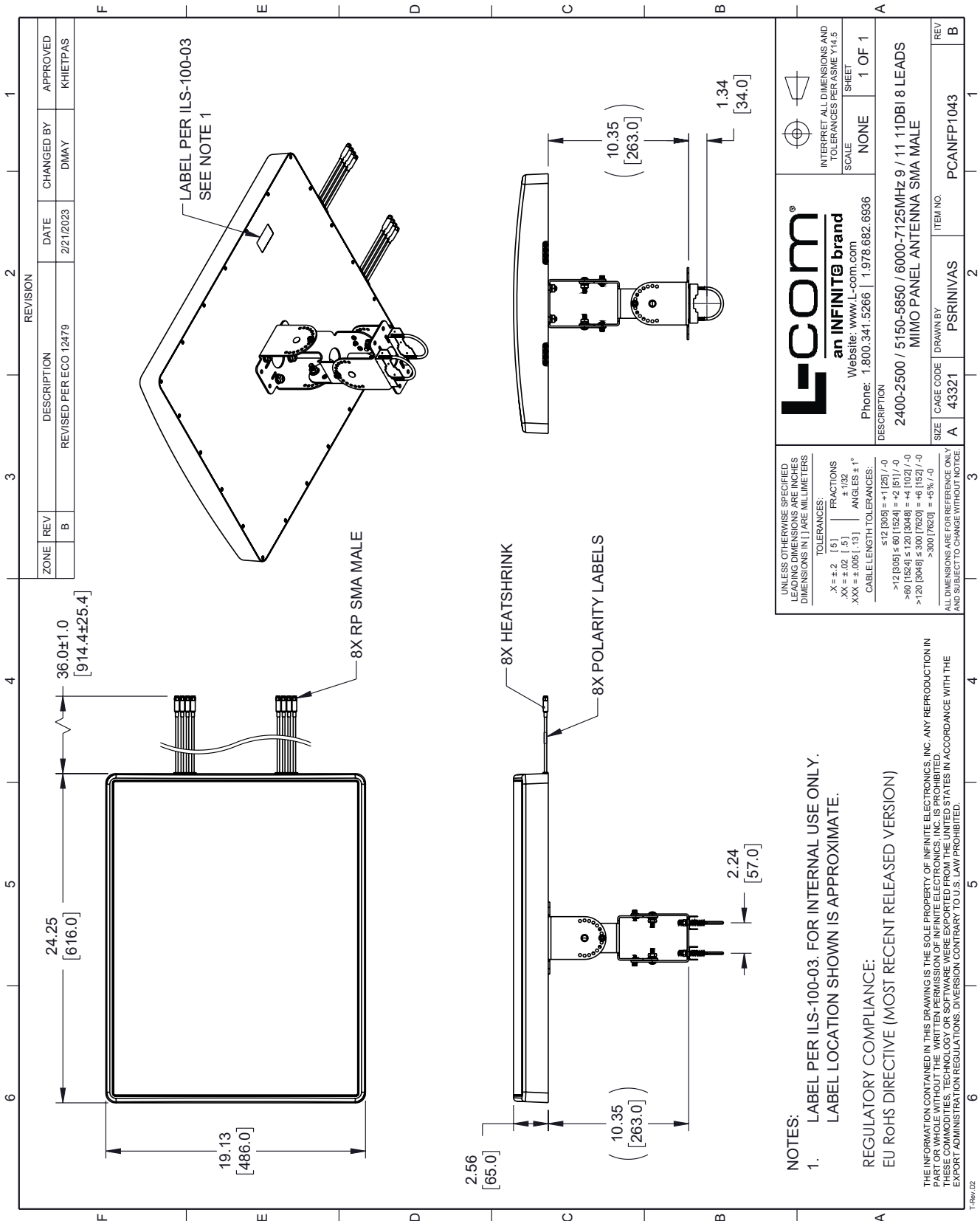
### Plotted and Other Data

Notes:

2400-2500, 5150-5850, 6000-7125 MHz Flat Panel MIMO Antenna, 11 dBi Gain, 8 RP SMA Male Connectors from L-com has same day shipment for domestic and International orders. Our portfolio includes coaxial cable assemblies, connectors, adapters and custom products as well as lightning and surge protectors, NEMA rated enclosures, and an RF product line which includes antennas, amplifiers, passive, and active components.

The information contained within this document is accurate to the best of our knowledge and representative of the part described herein. It may be necessary to make modifications to the part and/or the documentation of the part in order to implement improvements. L-com reserves the right to make such changes as required. Unless otherwise stated, all specifications are nominal. L-com does not make any representation or warranty regarding the suitability of the part described herein for any particular purpose, and L-com does not assume liability arising out of the use of any part or document.

L-com CAD Drawing



<b>L-com</b> an INFINITE brand Website: www.L-com.com Phone: 1.800.341.5266   1.978.682.6936		INTERPRET ALL DIMENSIONS AND TOLERANCES PER ASME Y14.5 SCALE: NONE SHEET: 1 OF 1	
DESCRIPTION: 2400-2500 / 5150-5850 / 6000-7125MHz 9 / 11 11DBI 8 LEADS MIMO PANEL ANTENNA SMA MALE			
SIZE: A CAGE CODE: 43321 DRAWN BY: PSRINIVAS	ITEM NO.: PCANFP1043	REV: B	1

UNLESS OTHERWISE SPECIFIED, LEADING DIMENSIONS ARE INCHES, DIMENSIONS IN [ ] ARE MILLIMETERS.

TOLERANCES:  
 X = ±.2 (5) FRACTIONS  
 XX = ±.02 (.5) ANGLES ±1°  
 XXX = ±.005 (.13)

CABLE LENGTH TOLERANCES:  
 ≤12 [305] = +1 [25] / -0  
 >12 [305] ≤ 60 [1524] = +2 [51] / -0  
 >60 [1524] ≤ 120 [3048] = +4 [102] / -0  
 >120 [3048] ≤ 300 [7620] = +6 [152] / -0  
 >300 [7620] = +5% / -0

ALL DIMENSIONS ARE FOR REFERENCE ONLY AND SUBJECT TO CHANGE WITHOUT NOTICE.

NOTES:  
 1. LABEL PER ILS-100-03. FOR INTERNAL USE ONLY. LABEL LOCATION SHOWN IS APPROXIMATE.

REGULATORY COMPLIANCE:  
 EU RoHS DIRECTIVE (MOST RECENT RELEASED VERSION)

THE INFORMATION CONTAINED IN THIS DRAWING IS THE SOLE PROPERTY OF INFINITE ELECTRONICS, INC. ANY REPRODUCTION IN PART OR WHOLE WITHOUT THE WRITTEN PERMISSION OF INFINITE ELECTRONICS, INC. IS PROHIBITED. THESE COMMODITIES, TECHNOLOGY OR SOFTWARE WERE EXPORTED FROM THE UNITED STATES IN ACCORDANCE WITH THE EXPORT ADMINISTRATION REGULATIONS. DIVERSION CONTRARY TO U.S. LAW PROHIBITED.