

2400 to 2500 MHz, RFID Flat Panel Antenna, 18 dBi Gain N-Type female, ABS Radome, RHCP



## LCANFP1020

### Features

- High Performance Multi-tag read/write Capabilities
- Lightweight, Concealable Design
- Right Hand Circular Polarized
- 2.4 to 2.5 GHz Frequency Range
- Type N Female Connector

### Applications

- Radio Frequency Identification
- Inventory Management
- Access Control
- Data Collection
- Asset Tracking
- Livestock Management

### Description

L-Com's LCANFP1020 is a Directional RFID flat panel RHCP antenna. The LCANFP1020 with a 18 dBi gain nominal is a Directional antenna. Our 2400-2500 MHz N-Type female connector, flat panel antenna has a gain of 18 dBi.

With an impedance of 50 Ohms and max input power of 50 Watts, the LCANFP1020 RFID flat panel RHCP antenna is well suited for Radio Frequency Identification tag reading applications. Contact L-Com's antenna experts for any assistance on 2400-2500 MHz, 18 dBi N-Type female connector antennas. This 18 dBi gain RFID antenna is highly directional providing the reader radio the capabilities of simultaneously reading a multitude of RFID tags with a high degree of accuracy.

L-Com's RFID LCANFP1020 has a radome made of ABS in White color and comes from a facility certified to ISO 9001:2015. RHCP flat panel antenna comes with mounting hardware and ABS radome. The included hardware along with Threaded female connector and ABS radome, makes installation effortless.

This N-Type connected Antenna has an overall length of 15 in, width of 15 in, and weighs 3.5 lbs. Use our on-line ordering system to purchase your LCANFP1020 RFID Directional RHCP antenna 24 hours a day with same-day shipping and no MOQs (minimum order quantities).

### Configuration

|                      |             |
|----------------------|-------------|
| Design               | Flat Panel  |
| Application Band     | RFID        |
| Band Type            | Single      |
| Radiation Pattern    | Directional |
| Polarization         | RHCP        |
| Connector Type       | N Female    |
| Lightning Protection | DC Grounded |

### Electrical Specifications

| Description     | Minimum | Typical | Maximum | Units |
|-----------------|---------|---------|---------|-------|
| Frequency Range | 2,400   |         | 2,500   | MHz   |
| Input VSWR      |         |         | 1.5:1   |       |
| Impedance       |         | 50      |         | Ohms  |

Click the following link (or enter part number in "SEARCH" on website) to obtain additional part information including price, inventory and certifications: [2400 to 2500 MHz, RFID Flat Panel Antenna, 18 dBi Gain N-Type female, ABS Radome, RHCP LCANFP1020](#)

2400 to 2500 MHz MHz, RFID Flat Panel Antenna, 18 dBi  
Gain N-Type female, ABS Radome, RHCP



## LCANFP1020

|                           |    |         |
|---------------------------|----|---------|
| Gain                      | 18 | dB      |
| Front to Back Ratio       | 18 | dB      |
| Horizontal (Azimuth) HPBW | 20 | Degrees |
| Vertical (Elevation) HPBW | 17 | Degrees |
| Input Power               | 50 | Watts   |

### Mechanical Specifications

|                 |                   |
|-----------------|-------------------|
| Radome Material | ABS               |
| <b>Size</b>     |                   |
| Length          | 15 in [381 mm]    |
| Width           | 15 in [381 mm]    |
| Height          | 1 in [25.4 mm]    |
| Weight          | 3.5 lbs [1.59 kg] |

### Environmental Specifications

|                    |                         |
|--------------------|-------------------------|
| <b>Temperature</b> |                         |
| Operating Range    | -40 to +60 deg C        |
| Wind Survivability | 134.22 MPH [216.01 KPH] |

**Compliance Certifications** (see [product page](#) for current document)

### Plotted and Other Data

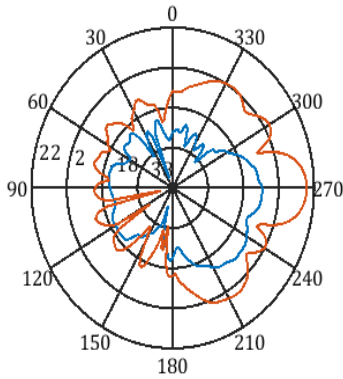
Notes:

2400 to 2500 MHz, RFID Flat Panel Antenna, 18 dBi Gain N-Type female, ABS Radome, RHCP



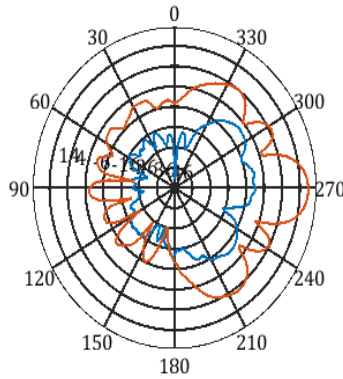
**LCANFP1020**

2D Pattern: @phi=90(Vertical)



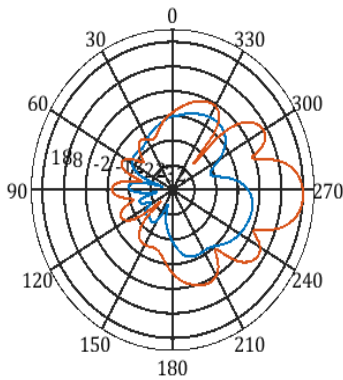
f=2300MHz, @Y-Z plane

2D Pattern: @phi=90(Vertical)



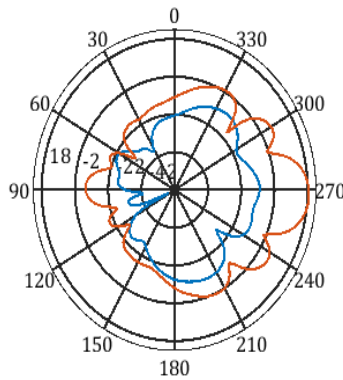
f=2400MHz, @Y-Z plane

2D Pattern: @theta=90+tilt(Horizontal)



f=2300MHz, X-Y Plane

2D Pattern: @theta=90+tilt(Horizontal)



f=2400MHz, X-Y Plane

2D Pattern: Co@2-cuts

2D Pattern: Co@2-cuts

2400 to 2500 MHz, RFID Flat Panel Antenna, 18 dBi Gain N-Type female, ABS Radome, RHCP from L-com has same day

2400 to 2500 MHz, RFID Flat Panel Antenna, 18 dBi  
Gain N-Type female, ABS Radome, RHCP



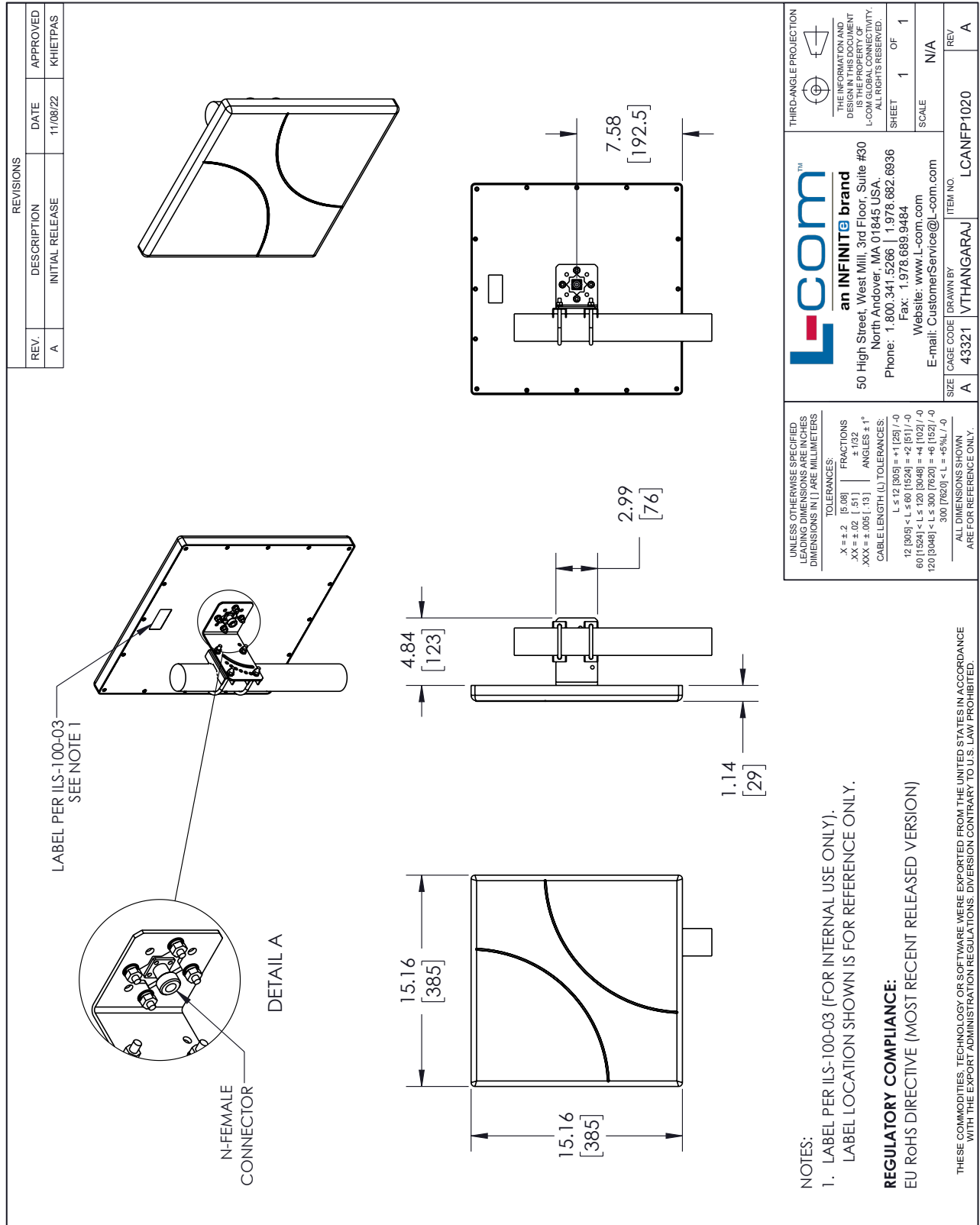
## LCANFP1020

---

shipment for domestic and International orders. Our portfolio includes coaxial cable assemblies, connectors, adapters and custom products as well as lightning and surge protectors, NEMA rated enclosures, and an RF product line which includes antennas, amplifiers, passive, and active components.

The information contained within this document is accurate to the best of our knowledge and representative of the part described herein. It may be necessary to make modifications to the part and/or the documentation of the part in order to impliment improvements. L-com reserves the right to make such changes as required. Unless otherwise stated, all specifications are nominal. L-com does not make any representation or warranty regarding the suitability of the part described herein for any particular purpose, and L-com does not assume liability arising out of the use of any part or document.

L-com CAD Drawing



**L-com**<sup>TM</sup>  
an INFINITE brand

50 High Street, West Mill, 3rd Floor, Suite #30  
North Andover, MA 01845, USA.  
Phone: 1.800.341.5266 | 1.978.682.6936  
Fax: 1.978.689.9484  
Website: www.L-com.com  
E-mail: CustomerService@L-com.com

THIRD-ANGLE PROJECTION

THE INFORMATION AND DIMENSIONS SHOWN ARE THE PROPERTY OF L-COM GLOBAL CONNECTIVITY. ALL RIGHTS RESERVED.  
SHEET 1 OF 1  
SCALE N/A

|      |           |            |            |     |
|------|-----------|------------|------------|-----|
| SIZE | CAGE CODE | DRAWN BY   | ITEM NO.   | REV |
| A    | 43321     | VTHANGARAJ | LCANFP1020 | A   |

UNLESS OTHERWISE SPECIFIED LEADING DIMENSIONS ARE IN INCHES DIMENSIONS IN [ ] ARE MILLIMETERS

TOLERANCES:  
 .X = ±.2 [5.08]    FRACTIONS ± 1/32  
 .XX = ±.02 [ .51]    ANGLES ± 1°  
 .XXX = ±.005 [ .13]  
 CABLE LENGTH (L) TOLERANCES:  
 L ≤ 12 [305] < L ≤ 60 [1524] = ±1 [25] / -0  
 60 [1524] < L ≤ 120 [3048] = ±4 [102] / -0  
 120 [3048] < L ≤ 300 [7620] = ±6 [152] / -0  
 300 [7620] < L = +5% / -0

ALL DIMENSIONS SHOWN ARE FOR REFERENCE ONLY.