

THE INFORMATION CONTAINED IN THIS DRAWING IS THE SOLE PROPERTY OF L-COM, INC. ANY REPRODUCTION IN PART OR WHOLE WITHOUT THE WRITTEN PERMISSION OF L-COM, INC. IS PROHIBITED.

REVISION					
ZONE	REV	DESCRIPTION	DATE	CHANGED BY	APPROVED
	A	INITIAL RELEASE	07/27/2023	PSRINIVAS	GUTTADAURO

D

YYWWXXXXX

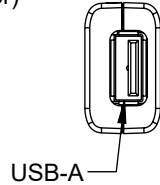
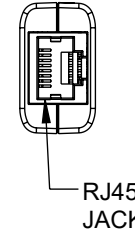
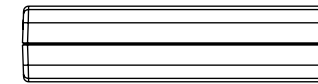
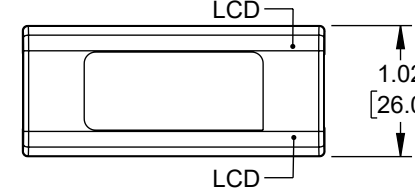
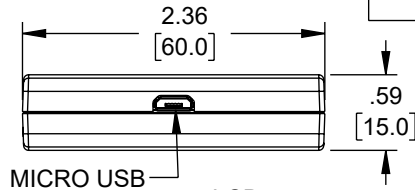
Date & Serial Label
(18x7mm,black on silver)



Housing Label-RX
(34.5x14.5mm,silver)



PCB Label
(15x6mm,white)



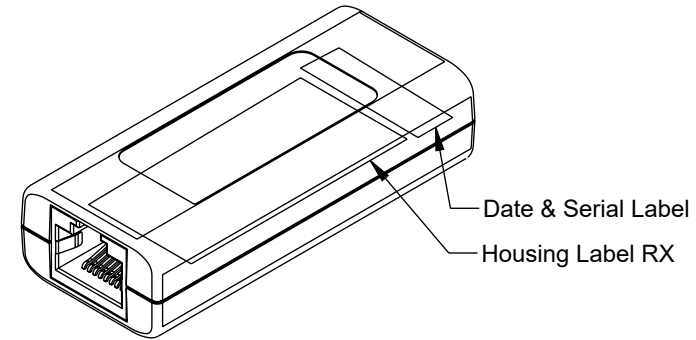
C

FEATURES:-

- EXTENDS USB TRANSMISSION DISTANCE UP TO 50 METERS / 165 FEET USING CAT5E OR CAT6 UTP SOLID CORE ETHERNET CABLE
- COMPLIANT WITH USB 2.0 STANDARD AND SUPPORTS SPEEDS UP TO 480MBPS
- IDEAL FOR USB PERIPHERAL EXTENSION AND DATA TRANSFER
- PLUG AND PLAY WITH NO SOFTWARE REQUIRED AND COMPATIBLE WITH ALL MAJOR OPERATING SYSTEMS
- SUPPORTS WEBCAM STREAMING WITH UP TO 1080P RESOLUTION
- IF USED WITH A USB FLASH OR HDD DRIVE THAT REQUIRES POWER, THEN AN EXTERNAL POWER SOURCE OF AT LEAST 5V MUST BE CONNECTED VIA THE MICRO USB POWER PORT
- MATERIAL: BLACK, PC PLASTIC
- OPERATING TEMPERATURE RANGE: 32° TO 104° F / 0° TO 40° C
- STORAGE TEMPERATURE RANGE: 5° TO 122° F / -15° TO 50° C
- RELATIVE HUMIDITY: 0 TO 85%, NON-CONDENSING.


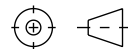
NOTES:

- ALL MARKINGS AND LABELS ARE FOR REFERENCE ONLY.
- PARTS ARE INDIVIDUALLY PACKAGED.
- INCLUDED IN PACKAGE, 1X TX UNIT, 1X RX UNIT, 1X MANUAL.



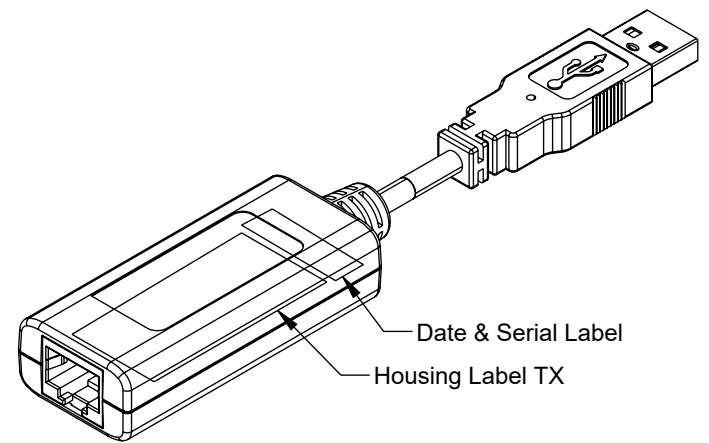
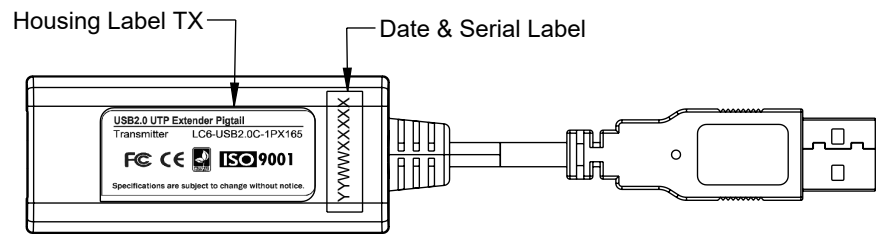
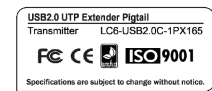
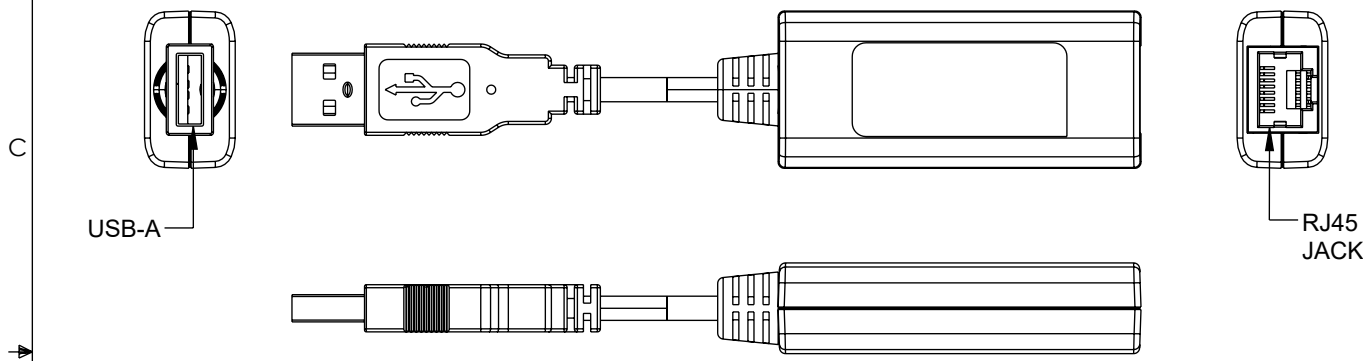
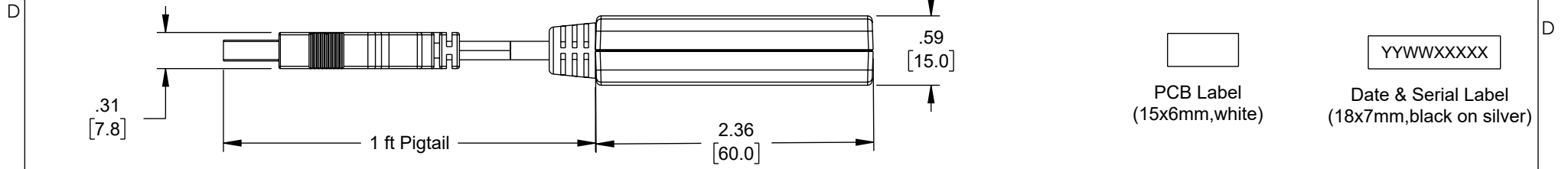
B

A

UNLESS OTHERWISE SPECIFIED, DIMENSIONS ARE IN INCHES [mm] OVERALL CABLE LENGTH TOLERANCES: ≤12 [305] = +1 [25] / -0 >12 [305] ≤60 [1524] = +2 [51] / -0 >60 [1524] ≤120 [3048] = +4 [102] / -0 >120 [3048] ≤300 [7620] = +6 [152] / -0 >300 [7620] = +5% / -0 ALL OTHER DIMENSIONAL TOLERANCES: .X = ± .2 [5] FRACTIONS ± 1/32 .XX = ± .02 [5] ANGLES ± 1° .XXX = ± .005 [1.3]	APPROVALS PSRINIVAS	DATE 07/27/2023	 50 High Street, West Mill, North Andover, MA 01845 USA. Phone: 1.800.341.5266 1.978.682.6936
	CHECKED BY DFRISIELLO	07/27/2023	
THIRD-ANGLE PROJECTION 	CONFIGURATION DETAILS OF UNDIMENSIONED FEATURES MAY VARY	PRODUCT DESCRIPTION COMPACT PLASTIC STYLE USB 2.0 POC UTP EXTENDER (UP TO 165 FT OVER 24 AWG SOLID CAT6 CABLE)	SCALE: NONE CAD FILE: LC6-USB20C-1PX165.SLDDRW SHEET 1 OF 3
APPROVED BY GUTTADAURO	07/27/2023	SIZE A	CAGE CODE 43321
		ITEM NO. LC6-USB20C-1PX165	REV. A

THE INFORMATION CONTAINED IN THIS DRAWING IS THE SOLE PROPERTY OF L-COM, INC. ANY REPRODUCTION IN PART OR WHOLE WITHOUT THE WRITTEN PERMISSION OF L-COM, INC. IS PROHIBITED.

REVISION					
ZONE	REV	DESCRIPTION	DATE	CHANGED BY	APPROVED
	A	INITIAL RELEASE	07/27/2023	PSRINIVAS	GUTTADAURO

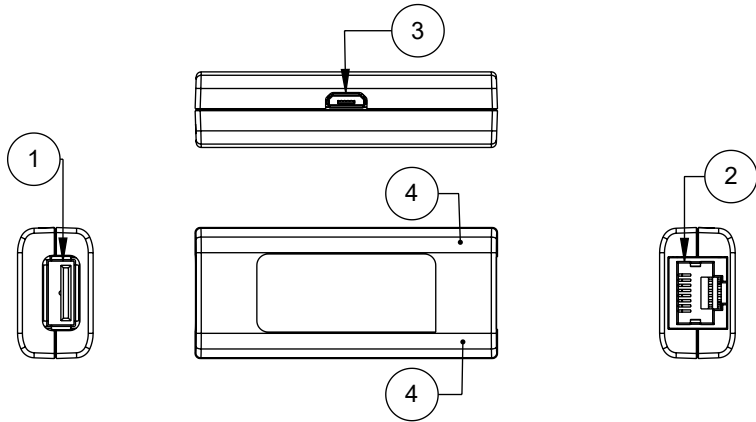


<p>UNLESS OTHERWISE SPECIFIED, DIMENSIONS ARE IN INCHES [mm]</p> <p>OVERALL CABLE LENGTH TOLERANCE: ≤12 [305] = +1 [25] / -0 >12 [305] ≤60 [1524] = +2 [51] / -0 >60 [1524] ≤120 [3048] = +4 [102] / -0 >120 [3048] ≤300 [7620] = +6 [152] / -0 >300 [7620] = +5% / -0</p> <p>ALL OTHER DIMENSIONAL TOLERANCES: .X = ± .2 [5] FRACTIONS ± 1/32 .XX = ± .02 [5] ANGLES ± 1° .XXX = ± .005 [13]</p> <p>THIRD-ANGLE PROJECTION</p>	<p>APPROVALS</p> <p>DRAWN BY PSRINIVAS</p> <p>CHECKED BY DFRISIELLO</p> <p>APPROVED BY GUTTADAURO</p>	<p>DATE</p> <p>07/27/2023</p> <p>07/27/2023</p> <p>07/27/2023</p>	<p>L-com an INFINITI® brand</p> <p>50 High Street, West Mill, North Andover, MA 01845 USA. Phone: 1.800.341.5266 1.978.682.6936</p>	
	<p>PRODUCT DESCRIPTION</p> <p>COMPACT PLASTIC STYLE USB 2.0 POC UTP EXTENDER (UP TO 165 FT OVER 24 AWG SOLID CAT6 CABLE)</p>		<p>CATEGORY</p> <p>USB EXTENSION</p>	
	<p>COLOR VARIATIONS MAY OCCUR</p>	<p>SIZE</p> <p>A</p>	<p>CAGE CODE</p> <p>43321</p>	<p>ITEM NO.</p> <p>LC6-USB20C-1PX165</p>
	<p>SCALE: NONE</p>		<p>CAD FILE: LC6-USB20C-1PX165.SLDDRW</p>	<p>SHEET 2 OF 3</p>

THE INFORMATION CONTAINED IN THIS DRAWING IS THE SOLE PROPERTY OF L-COM, INC. ANY REPRODUCTION IN PART OR WHOLE WITHOUT THE WRITTEN PERMISSION OF L-COM, INC. IS PROHIBITED.

REVISION					
ZONE	REV	DESCRIPTION	DATE	CHANGED BY	APPROVED
	A	INITIAL RELEASE	07/27/2023	PSRINIVAS	GUTTADAURO

PANEL DESCRIPTION



RECEIVER UNIT:-

1. USB-A 2.0 OUTPUT – CONNECT TO USB-A DEVICE, SUCH AS KEYBOARD, MOUSE, USB FLASH, USB HDD, ETC.
2. RJ-45 INPUT – CONNECT A CAT 6 CABLE FROM TRANSMITTER TO THIS RJ-45 JACK AS SIGNAL INPUT
3. MICRO USB-B INPUT - IF THE END DEVICE REQUIRES USB POWER SUCH AS A FLASH DRIVE, PORTABLE HDD OR OTHER USB DEVICE THAT REQUIRES USB BUS POWER, A 5V POWER SOURCE MUST BE CONNECTED VIA THE MICRO USB PORT TO PROVIDE SAID POWER.

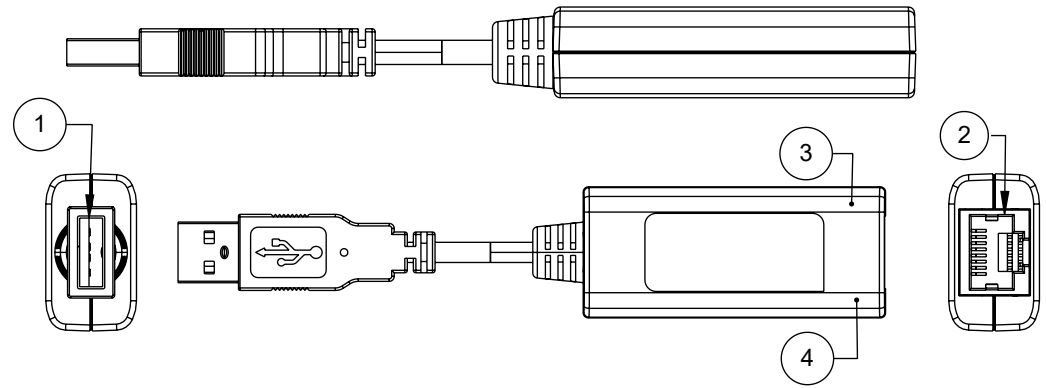
LED DESCRIPTION:-

4. RJ-45 JACK LED INDICATOR – LEFT SIDE

GREEN LED LIGHT WILL BE ON WHEN RECEIVER RECEIVED SIGNAL FROM TRANSMITTER

RIGHT SIDE

ORANGE LED LIGHT SHOULD BLINK WHEN DATA IS BEING TRANSMITTED.



TRANSMITTER UNIT:-

1. USB-A 2.0 INPUT PIGTAIL – CONNECT TO SOURCE SUCH AS PC/NOTEBOOK, ETC.
2. RJ-45 OUTPUT – CONNECT A CAT 6 CABLES TO EXTEND SIGNAL

LED DESCRIPTION:-

3. RJ-45 2 SIDE LED INDICATOR – LEFT SIDE

GREEN LED LIGHT WILL BE ON WHEN TRANSMITTER CONNECTS TO RECEIVER.

RIGHT SIDE

ORANGE LED LIGHT WILL BE ON WHEN TRANSMITTER SENDS SIGNAL THROUGH THE RJ-45 JACK.

<p>UNLESS OTHERWISE SPECIFIED, DIMENSIONS ARE IN INCHES [mm]</p> <p>OVERALL CABLE LENGTH TOLERANCE: ≤ 12 [305] = +1 [25] / -0 > 12 [305] ≤ 60 [1524] = +2 [51] / -0 > 60 [1524] ≤ 120 [3048] = +4 [102] / -0 > 120 [3048] ≤ 300 [7620] = +6 [152] / -0 > 300 [7620] = +5% / -0</p> <p>ALL OTHER DIMENSIONAL TOLERANCES: .X = $\pm .2$ [5] FRACTIONS $\pm 1/32$.XX = $\pm .02$ [.5] ANGLES $\pm 1^\circ$.XXX = $\pm .005$ [.13]</p> <p>THIRD-ANGLE PROJECTION</p>	<p>APPROVALS</p> <p>DRAWN BY PSRINIVAS</p> <p>CHECKED BY DFRISIELLO</p> <p>APPROVED BY GUTTADAURO</p>	<p>DATE</p> <p>07/27/2023</p> <p>07/27/2023</p> <p>07/27/2023</p>	<p>L-com an INFINIT[®] brand</p> <p>50 High Street, West Mill, North Andover, MA 01845 USA. Phone: 1.800.341.5266 1.978.682.6936</p>
	<p>CONFIGURATION DETAILS OF UNDIMENSIONED FEATURES MAY VARY</p>		<p>CATEGORY</p> <p>USB EXTENSION</p>
	<p>COLOR VARIATIONS MAY OCCUR</p>		<p>PRODUCT DESCRIPTION</p> <p>COMPACT PLASTIC STYLE USB 2.0 POC UTP EXTENDER (UP TO 165 FT OVER 24 AWG SOLID CAT6 CABLE)</p>
	<p>SIZE</p> <p>A</p>	<p>CAGE CODE</p> <p>43321</p>	<p>ITEM NO.</p> <p>LC6-USB20C-1PX165</p>
<p>SCALE: NONE</p>		<p>CAD FILE: LC6-USB20C-1PX165.SLDDRW</p>	<p>SHEET 3 OF 3</p>