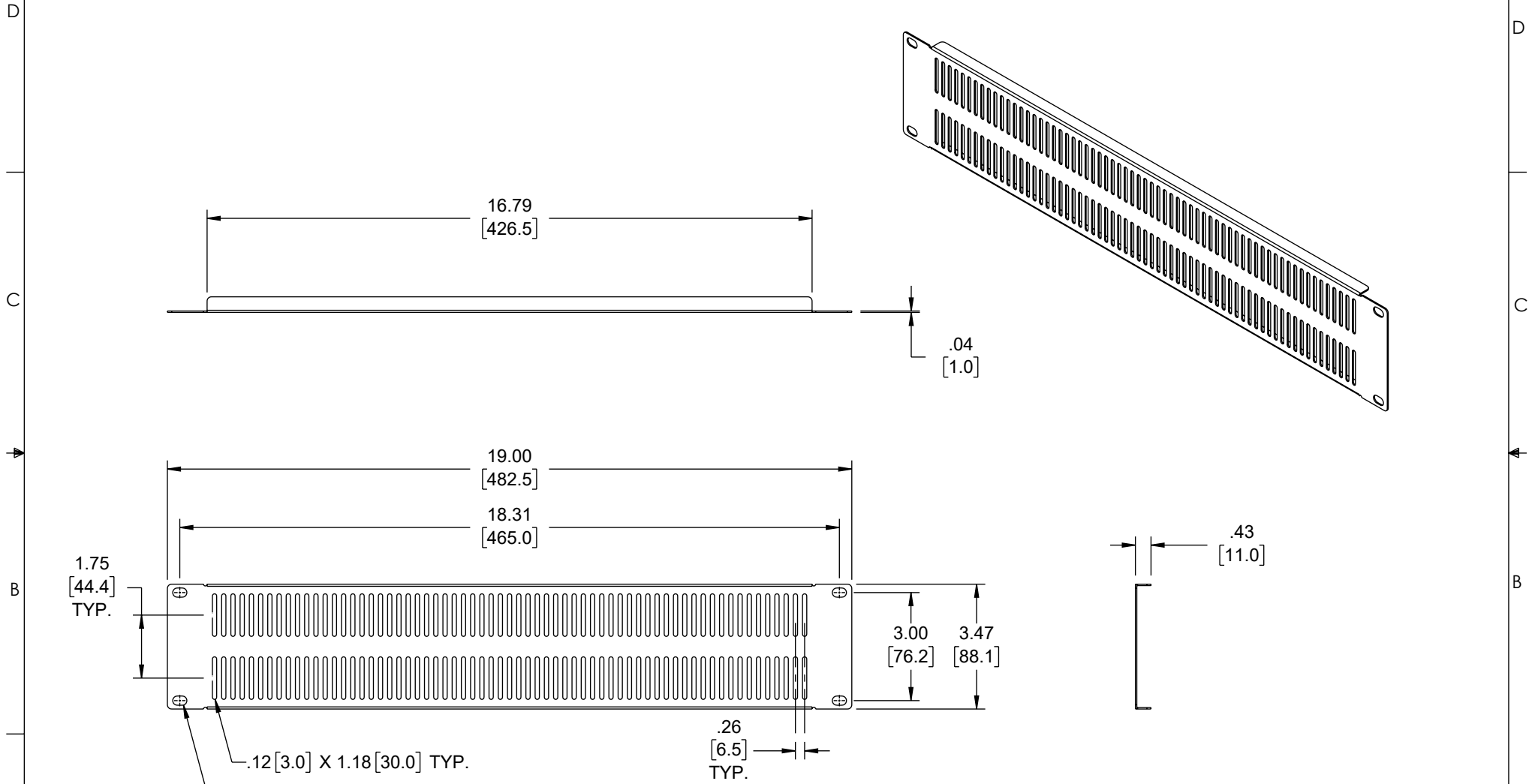


THE INFORMATION CONTAINED IN THIS DRAWING IS THE SOLE PROPERTY OF L-COM, INC. ANY REPRODUCTION IN PART OR WHOLE WITHOUT THE WRITTEN PERMISSION OF L-COM, INC. IS PROHIBITED.

REVISION					
ZONE	REV	DESCRIPTION	DATE	CHANGED BY	APPROVED
	A	INITIAL RELEASE	06/23/2023	HBAKKE	THOUGHTON



<p>UNLESS OTHERWISE SPECIFIED, DIMENSIONS ARE IN INCHES [mm]</p> <p>OVERALL CABLE LENGTH TOLERANCE:          ≤12 [305] = +1 [25] / -0          &gt;12 [305] ≤60 [1524] = +2 [51] / -0          &gt;60 [1524] ≤120 [3048] = +4 [102] / -0          &gt;120 [3048] ≤300 [7620] = +6 [152] / -0          &gt;300 [7620] = +5% / -0</p> <p>ALL OTHER DIMENSIONAL TOLERANCES:          .X = ± .2 [5]   FRACTIONS ± 1/32          .XX = ± .02 [5]   ANGLES ± 1°          .XXX = ± .005 [13]</p> <p>THIRD-ANGLE PROJECTION</p>	APPROVALS	DATE	<p>50 High Street, West Mill, North Andover, MA 01845 USA. Phone: 1.800.341.5266 1.978.682.6936</p>
	DRAWN BY HBAKKE	06/23/2023	
	CHECKED BY DMAY	06/23/2023	
	APPROVED BY JWASKE	06/23/2023	
	CATEGORY		
	PRODUCT DESCRIPTION		
	RACK ACCESSORIES		
	19" Perf Blank Panel 2U - RAL9003 -Signal White		
	SIZE	CAGE CODE	ITEM NO.
	A	43321	LC-SWMD2UPNLB-W
	SCALE: NONE	CAD FILE: LC-SWMD2UPNLB-W_LC.SLDDRW	SHEET 1 OF 1